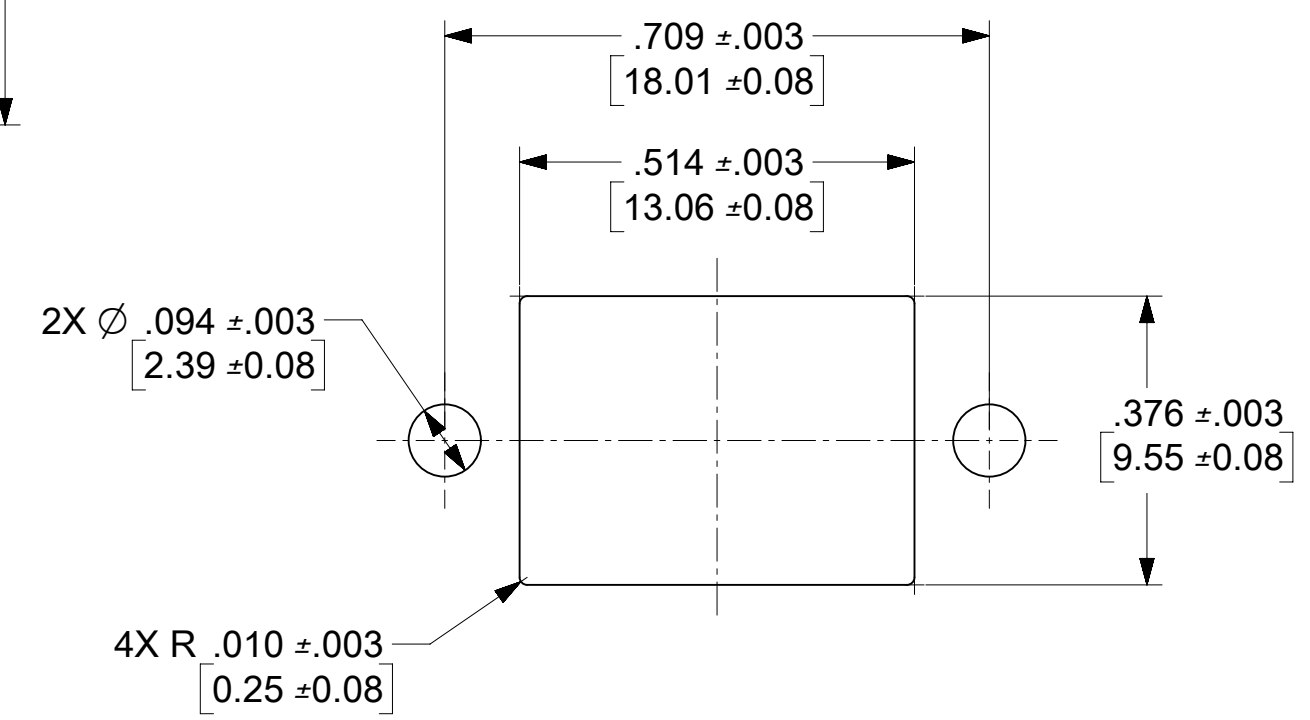
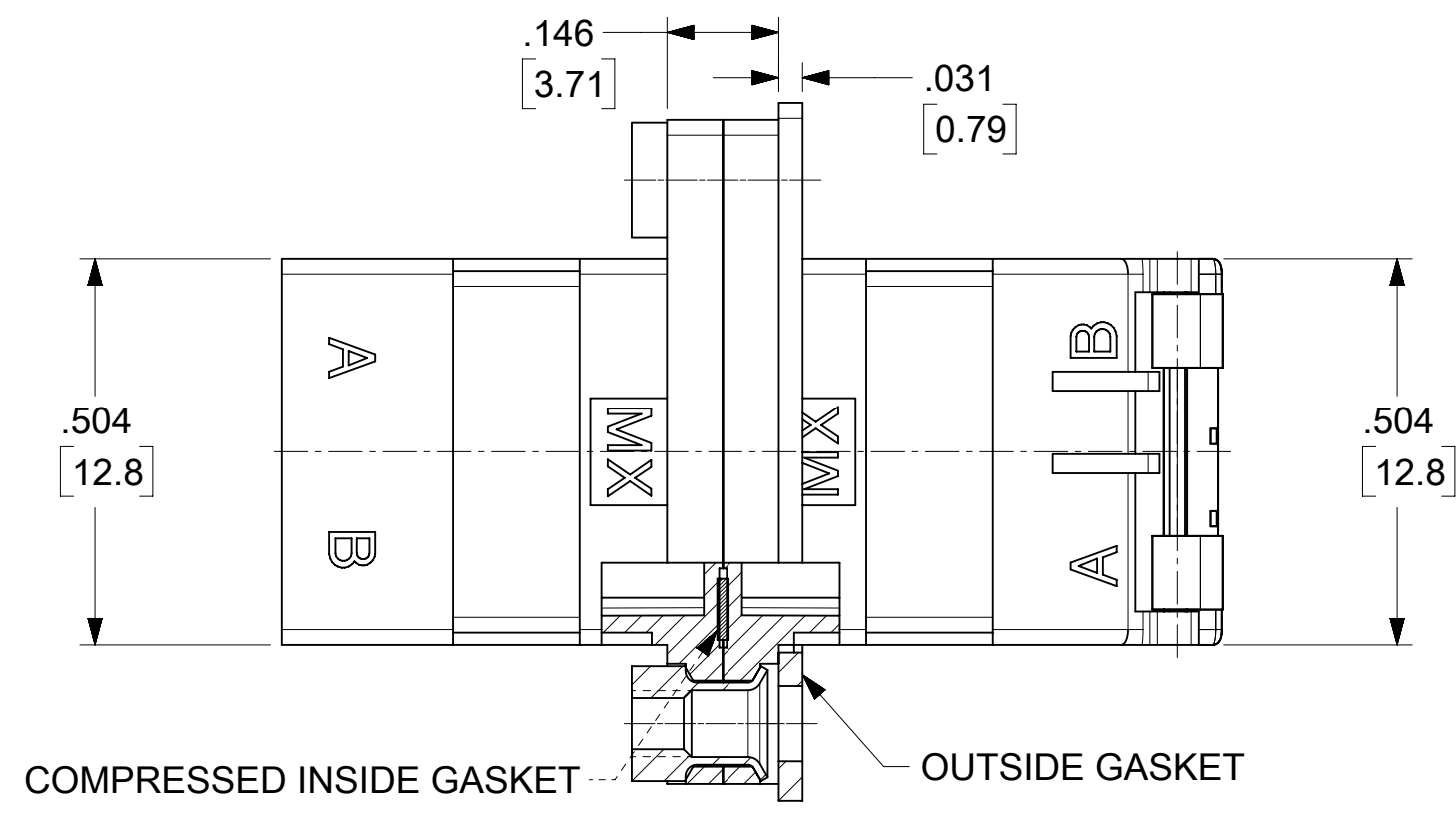
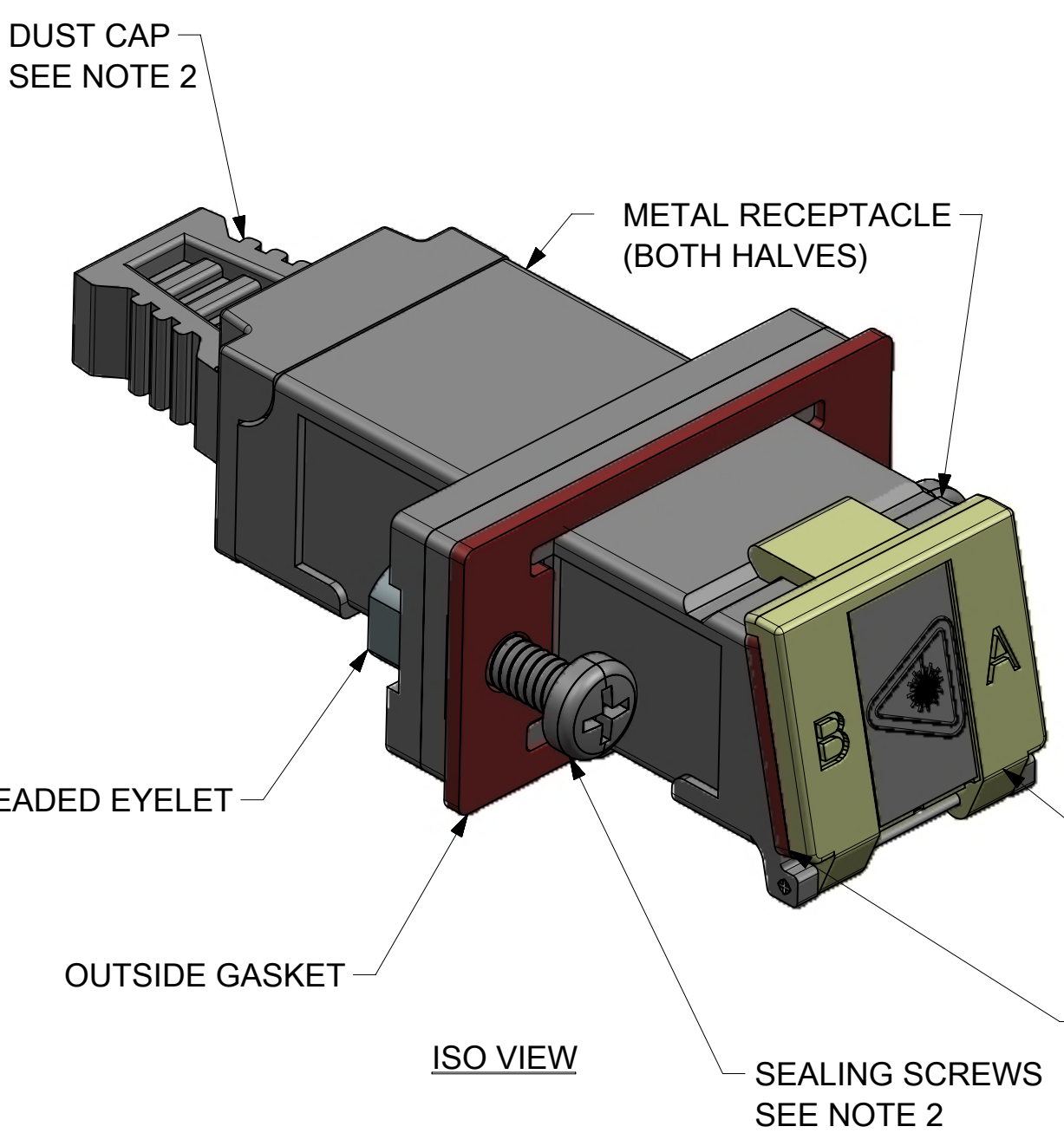
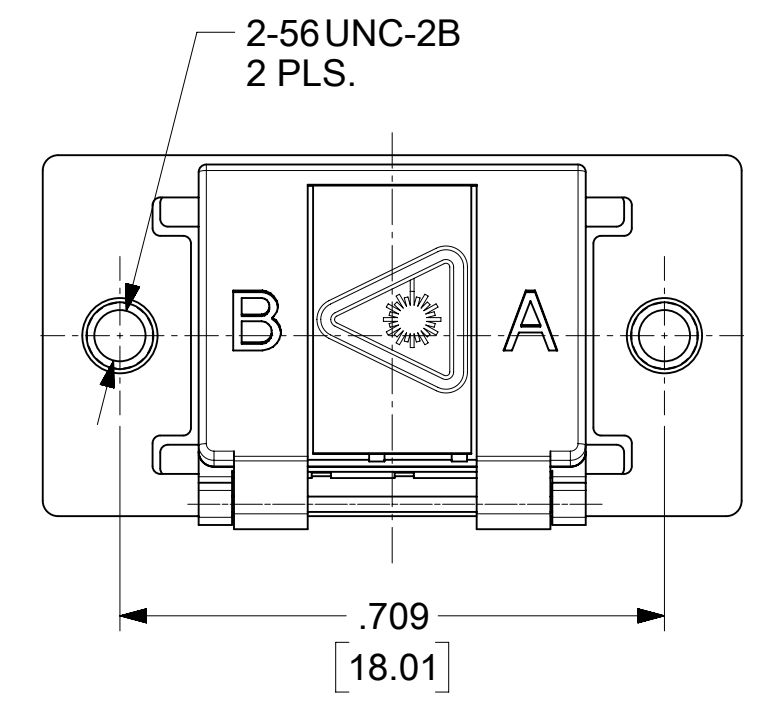
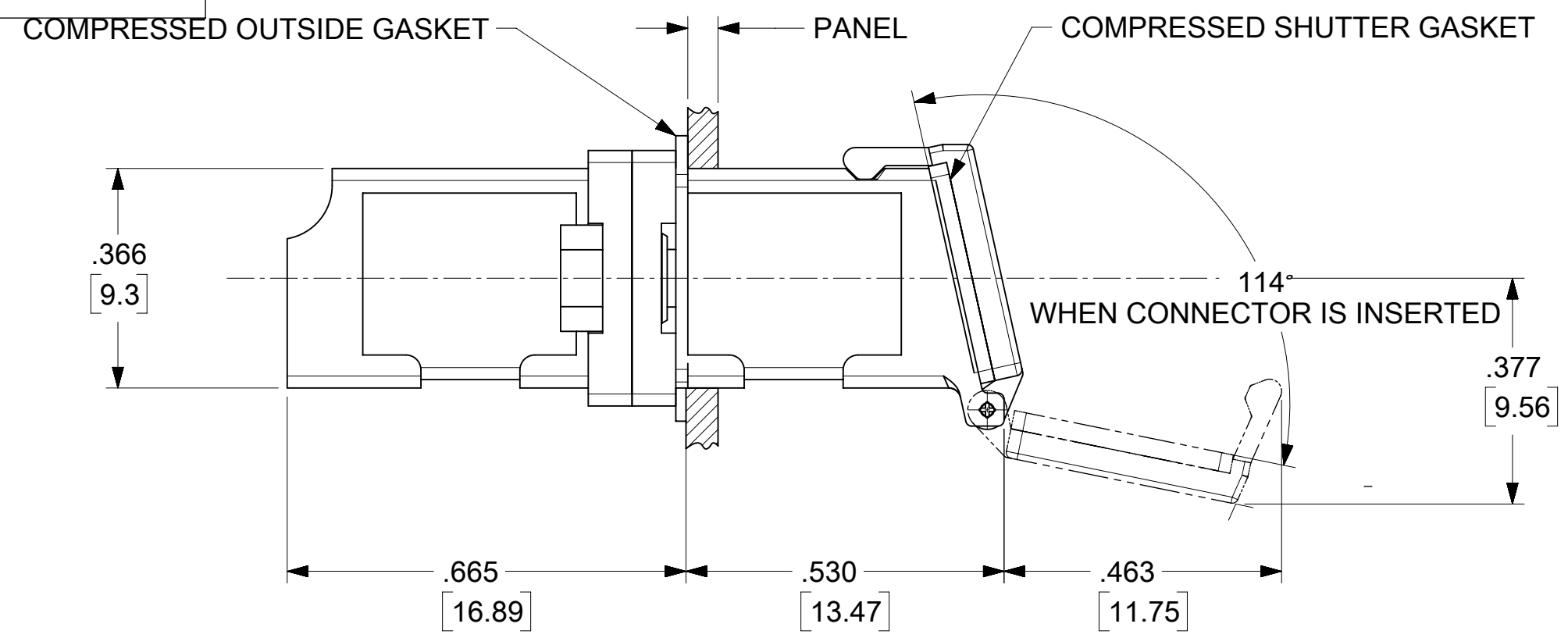
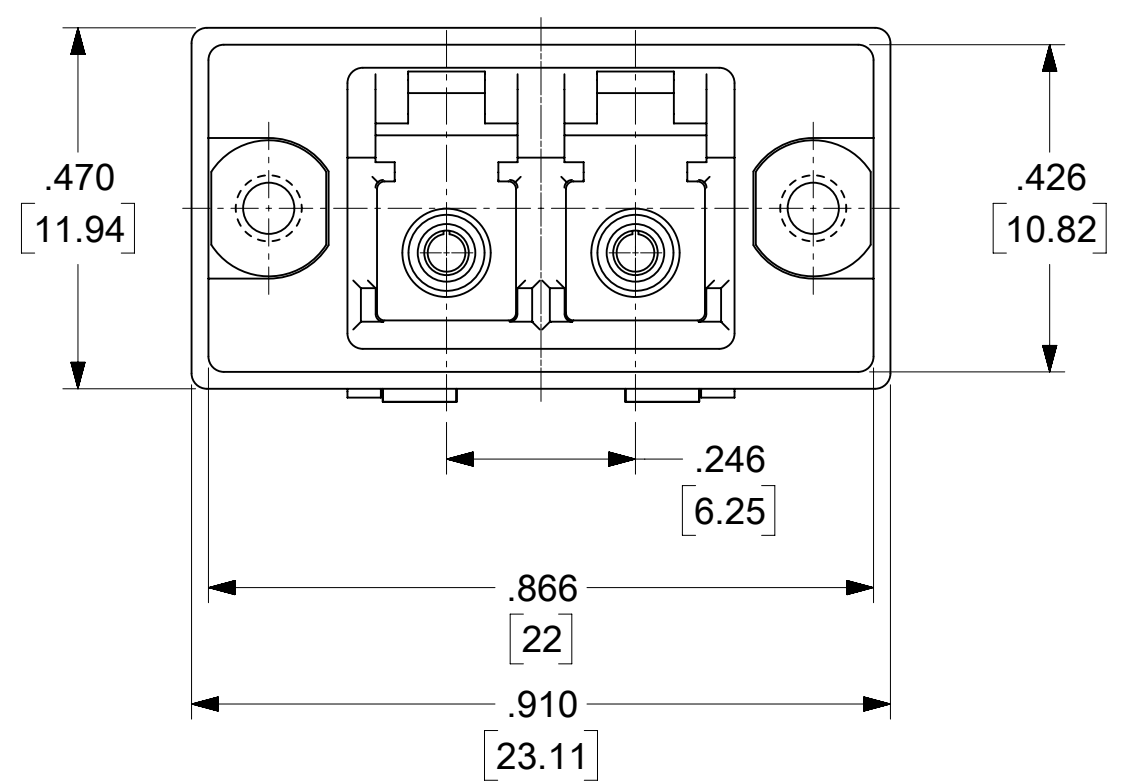


LCD ADAPTER P/N	LC SLEEVE MATERIAL	PLASTIC SHUTTER COLOR
106127-0100	ZR	BLUE
106127-0110	PH. BRONZE	BEIGE



- NOTES:
1. ALL DIMENSIONS ARE FOR REFERENCE.
 2. DUST CAP & SEALING SCREWS SHOWN IN ISO VIEW ONLY.
 3. LC DUPLEX ADAPTER HAS SC ADAPTER FOOTPRINT.
 4. LC DUPLEX ADAPTER TO BE PACKAGED IN TRAY.
 5. SUGGESTED TORQUE OF SS #2-56 SEALING SCREWS TO SS PANEL IS 0.8 IN-LBS.

SYMBOLS		THIS DRAWING CONTAINS INFORMATION THAT IS PROPRIETARY TO MOLEX ELECTRONIC TECHNOLOGIES, LLC AND SHOULD NOT BE USED WITHOUT WRITTEN PERMISSION	
DIMENSION UNITS	SCALE	CURRENT REV DESC: REMASTERED TO NX	
∇ = 0	HYBRID	4:1	molex SEALED LCD ADAPTER
∇ = 0	GENERAL TOLERANCES (UNLESS SPECIFIED)		
∇ = 0	ANGULAR TOL ± °	EC NO: 610674 DRWN: ABN 2017/12/22 CHK'D: WCHEN 2019/01/18 APPR: WCHEN 2019/01/18	
∇ = 0	4 PLACES ±	INITIAL REVISION:	
∇ = 0	3 PLACES ±	DRWN: YBELENIY 2010/09/30	
∇ = 0	2 PLACES ±	APPR: WCHEN 2010/12/14	
∇ = 0	1 PLACE ±	DOCUMENT NUMBER: SD-106127-01X0 DOC TYPE: PSD DOC PART: 001 REVISION: C1	
∇ = 0	0 PLACES ±	MATERIAL NUMBER: SEE TABLE CUSTOMER: GENERAL MARKET SHEET NUMBER: 1 OF 1	
∇ = 0	DRAFT WHERE APPLICABLE MUST REMAIN WITHIN DIMENSIONS	THIRD ANGLE PROJECTION	DRAWING: C-SIZE
∇ = 0		SERIES: 106127	