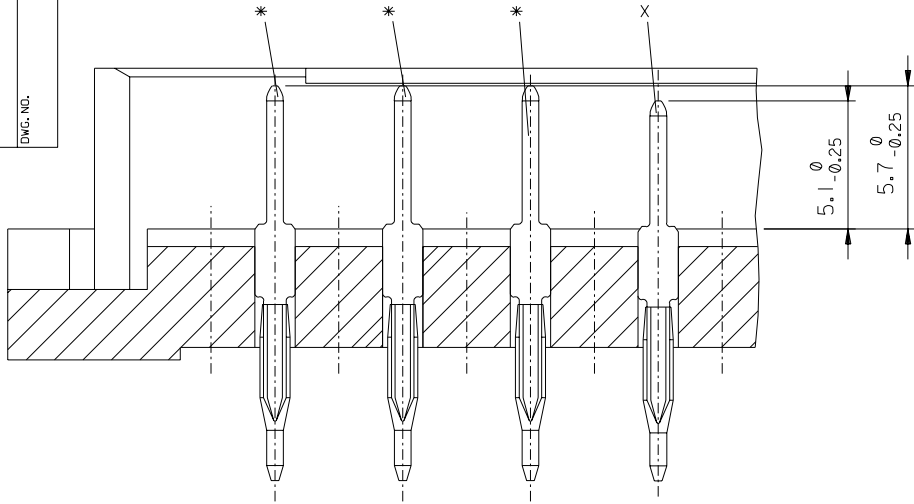


MATING SEQUENCE AS DELIVERED
(Bestueckmasse)



View on mating side

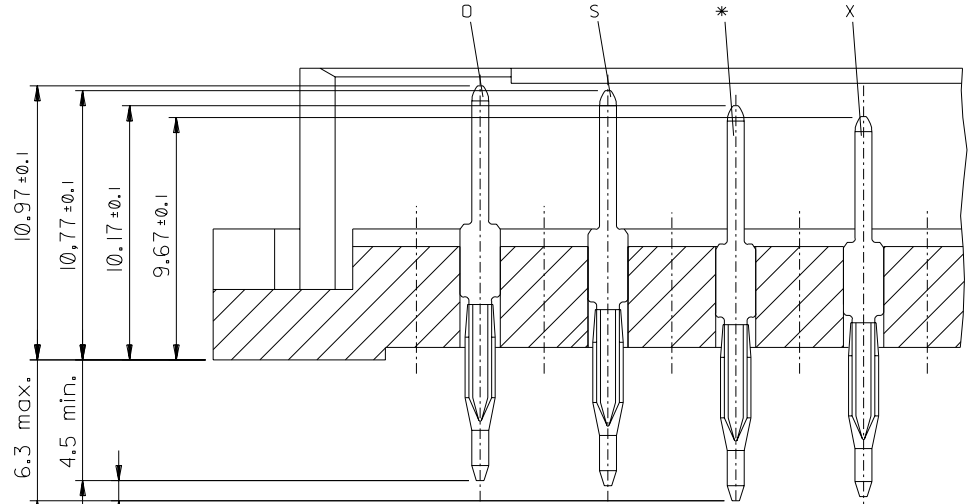
c																																			
b	*	*	*	X	X	*	*	*	*	*	*	*	*	*	*	*	*	*	*	*	*	*	*	*	*	*	*	*	X	X	*	*	*	*	*
a																																			
	1	2	3	4	5	6	7	8	9	10	11	12	13	14	15	16	17	18	19	20	21	22	23	24	25	26	27	28	29	30	31	32			

- * = 28 standard contacts
- X = 4 LMFB contacts
- S = 32 total number of contacts

*	G2/0	c1+2+3+6-27+30+31+32	
X	G2/0	c4+5+28+29	
Contact symbol	Perform. level	Contact position number	

Marking	Standard
Performance level	G2/0 = Contact area level 2 / Termination tin
Flux proof	no
Fixing clip	no
Dimensions	610-6043-201
Technical Data

MATING SEQUENCE AFTER INSTALLATION IN TO PC BOARD
(Kontaktlaengen nach dem Einpressen in die Leiterplatte)



View on mating side

c																																	
b	O	S	S	X	X	*	*	*	*	*	*	*	*	*	*	*	*	*	*	*	*	*	*	*	*	*	*	*	X	X	S	S	O
a																																	
	1	2	3	4	5	6	7	8	9	10	11	12	13	14	15	16	17	18	19	20	21	22	23	24	25	26	27	28	29	30	31	32	

- O = 2 FMLBcontacts (5.7)
- S = 4 FMLB contacts (5.5)
- * = 22 standard contacts (4.9)
- X = 4 LMFB contacts (4.4)
- S = 32 total number of contacts

THE MATING SEQUENCE CAN ONLY BE ACCOMPLISHED WITH THE USE OF A SPECIAL PRESS-IN TOOL 85089-1110

O	G2/0	c1+32
S	G2/0	c2+3+30+31
*	G2/0	c6-27
X	G2/0	c4+5+28+29
Contact symbol	Perform. level	Contact position number

REVISE ONLY ON CAD SYSTEM		SH.	REV.
CAD/CAM PROJECT NAME		THIS DRAWING CONTAINS INFORMATION THAT IS PROPRIETARY TO MOLEX INC. & SHOULD NOT BE USED WITHOUT WRITTEN PERMISSION	
TITLE			
96 pos. Male connector acc. DIN 41612 style R contacts arrangement			
		MOLEX EUROPE	
PART NO.		SHEET NO.	DATE
85013-3043		1 OF 1 96/10/08	
DWG NO.		SIZE	
SDA-85013-3043		B	

B	LTR	ECN No. MG1998-2587	
		97/098/2 Ca	
		REVISIONS	
		FOR PREVIOUS REVISIONS SEE MAT LIST	
		UNLESS OTHERWISE SPECIFIED TOLERANCES: ANGULAR ±2'	
		INCH	METRIC
3 PLACE	± .	±	
2 PLACE	± .	±	
1 PLACE	± .	±	
DRAFT WHERE APPLICABLE MUST REMAIN WITHIN DIMENSIONS			
DESIGN DIMENSION	<input checked="" type="checkbox"/> MM		
	<input type="checkbox"/> IN.		
EQUIVALENT DIMENSION	<input type="checkbox"/> MM		
	<input type="checkbox"/> IN.		
IF TWO DIMENSIONS ARE SHOWN THE UPPER IS THE DESIGN DIMENSION, LOWER IS SECONDARY			
		DRWG BY	Ca
		CHK'D BY	TB
		APP'D BY	
		SCALE	