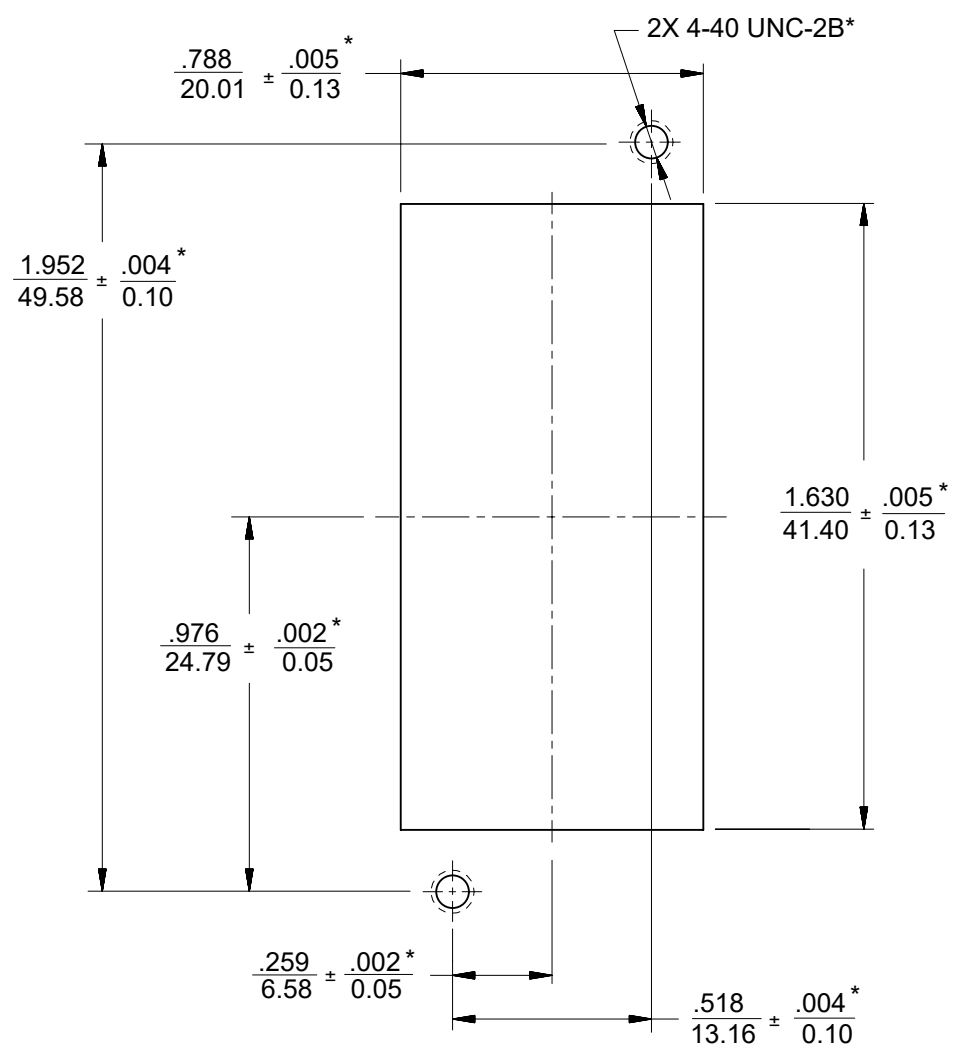
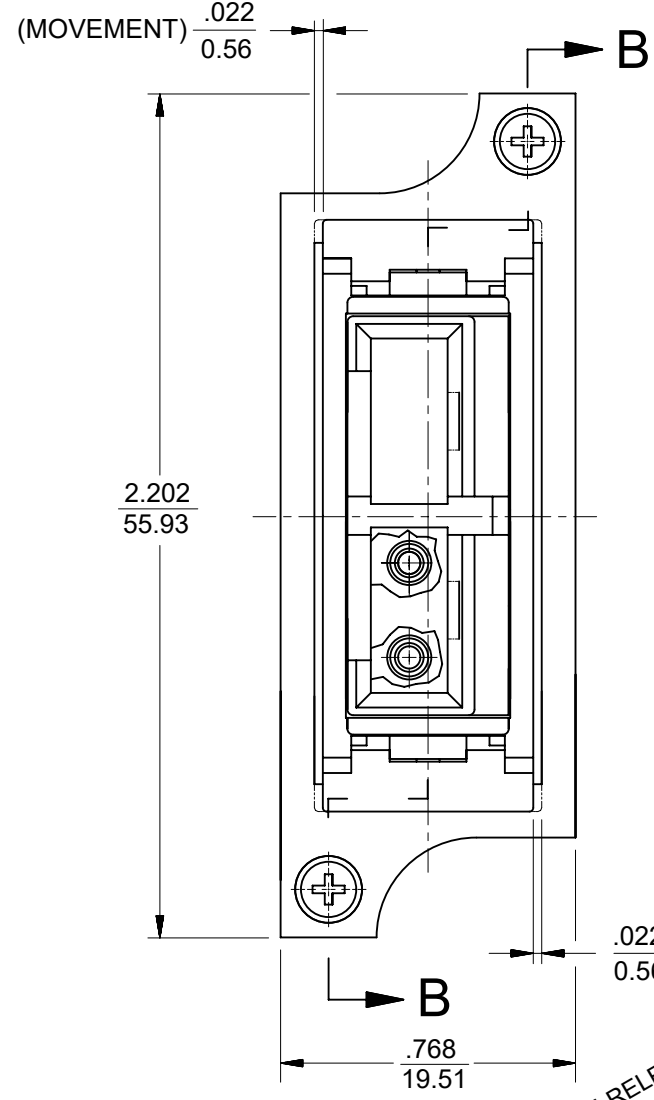
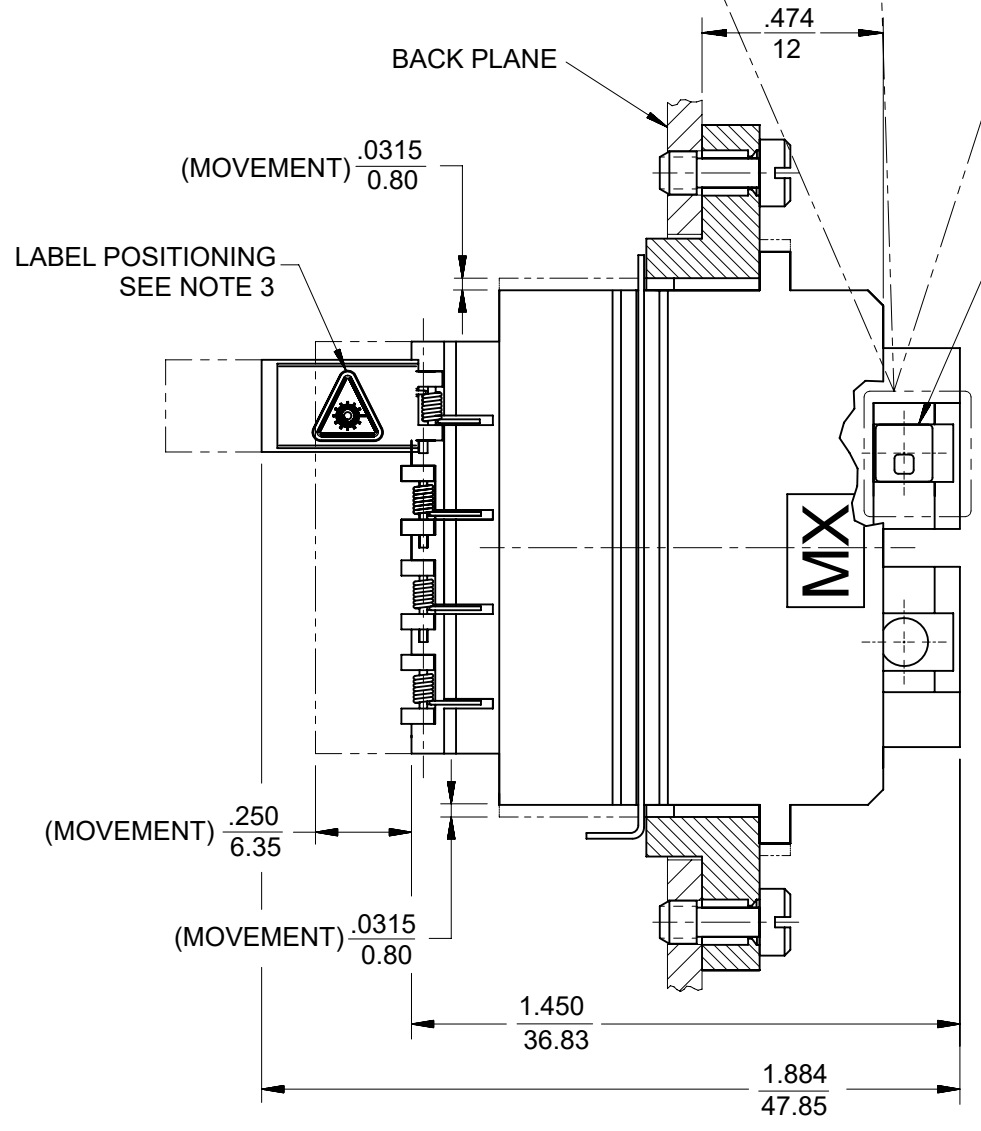
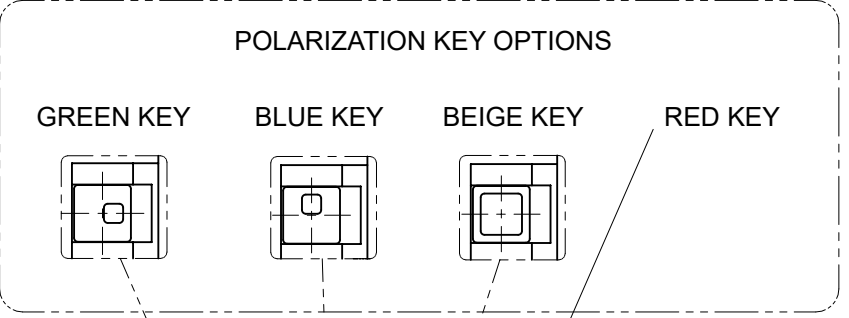


| BLC ADAPTER P/N | SPLIT SLEEVE MATERIAL | COLOR |
|-----------------|-----------------------|-------|
| 106144-0100     | Ph. Bronze            | BLACK |
| 106144-1100     | Zr                    |       |



VIEW A  
RECOMMENDED MOUNTING HOLES

PRE-RELEASE  
REFERENCE  
USE ONLY

- NOTES:
1. ALL DIM. ARE FOR REFERENCE ONLY, EXCEPT WHEN MARKED WITH (\*).
  2. POLARIZATION KEYS AND LABELS ARE PACKED UNASSEMBLED WITH ADAPTER ASSEMBLY IN POLY BAG.
  3. ADHESIVE LABELS TO BE POSITIONED ON LC DOORS BY USER. THE ORIENTATION OF THE LABELS SHOULD BE SUCH THAT THE LASER WARNING SYMBOL IS EASILY IDENTIFIED.

|   |   |                     |      |   |  |  |  |                          |  |                                      |          |              |          |
|---|---|---------------------|------|---|--|--|--|--------------------------|--|--------------------------------------|----------|--------------|----------|
| THIS DRAWING CONTAINS INFORMATION THAT IS PROPRIETARY TO MOLEX ELECTRONIC TECHNOLOGIES, LLC AND SHOULD NOT BE USED WITHOUT WRITTEN PERMISSION |   |                     |      |   |  |  |  |                          |  |                                      |          |              |          |
| DIMENSION UNITS<br><b>IN/MM</b>   |   | SCALE<br><b>2:1</b> |      | CURRENT REV DESC: REMOVED OBSOLETE PART NUMBER AS PER PCN#510806.                         |  |  |  | <b>molex</b>             |  | BLC ADAPTER ASSEMBLY<br>(4 POSITION) |          |              |          |
| GENERAL TOLERANCES<br>(UNLESS SPECIFIED)  |   | MM                  | INCH | EC NO: 733771<br>DRWN: SANTHN 2023/01/24<br>CHK'D: GGA 2023/02/24<br>APPR: GGA 2023/02/24 |  |  |  |                          |  |                                      |          |              |          |
| 4 PLACES  | ± |                     |      | INITIAL REVISION:<br>DRWN: PGIBLIN 2005/10/20   |  |  |  | PRODUCT CUSTOMER DRAWING |  | DOCUMENT NUMBER                      | DOC TYPE | DOC PART     | REVISION |
| 3 PLACES  | ± |                     |      | APPR:   |  |  |  | SD-106144-XX00           |  | PSD                                  | 001      | B2           |          |
| 2 PLACES  | ± |                     |      | THIRD ANGLE PROJECTION  |  |  |  | MATERIAL NUMBER          |  | CUSTOMER                             |          | SHEET NUMBER |          |
| 1 PLACE   | ± |                     |      | DRAWING   |  |  |  | SEE TABLE                |  | GENERAL MARKET                       |          | 1 OF 1       |          |
| 0 PLACES  | ± |                     |      | SERIES  |  |  |  | 106144                   |  |                                      |          |              |          |
| ANGULAR TOL ± 0.5°  |   |                     |      | B-SIZE  |  |  |  |                          |  |                                      |          |              |          |
| DRAFT WHERE APPLICABLE<br>MUST REMAIN<br>WITHIN DIMENSIONS  |   |                     |      |   |  |  |  |                          |  |                                      |          |              |          |