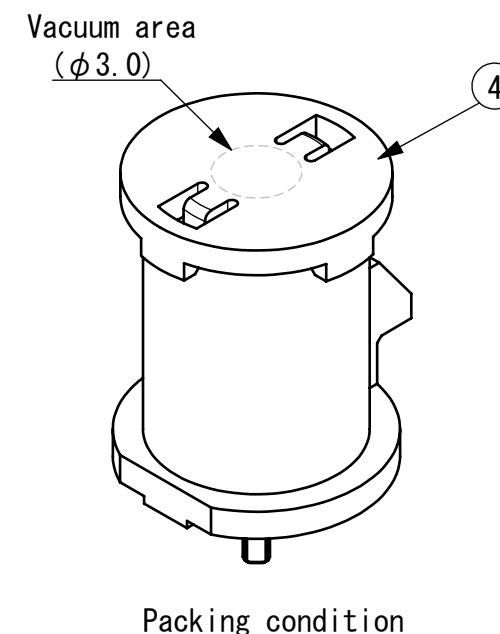
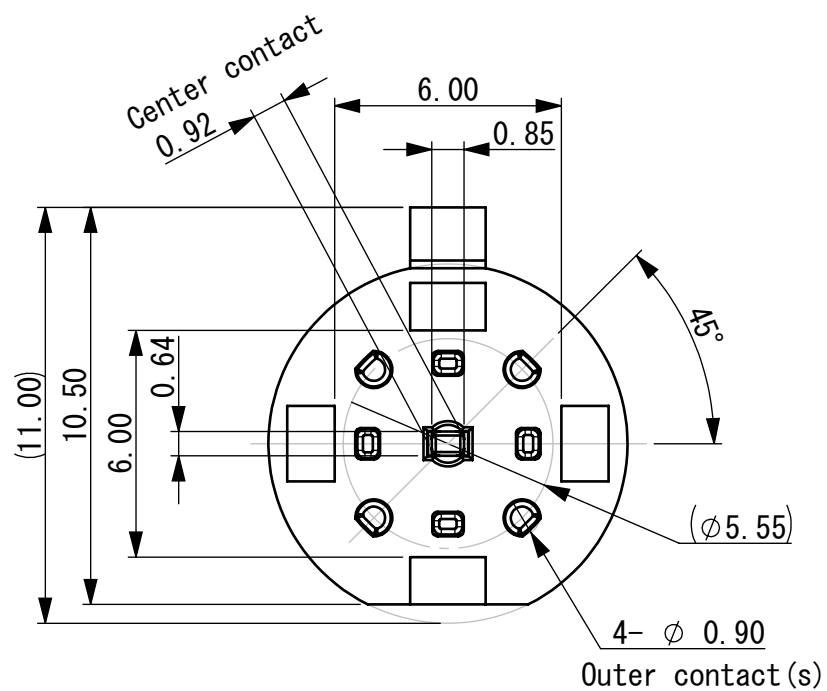
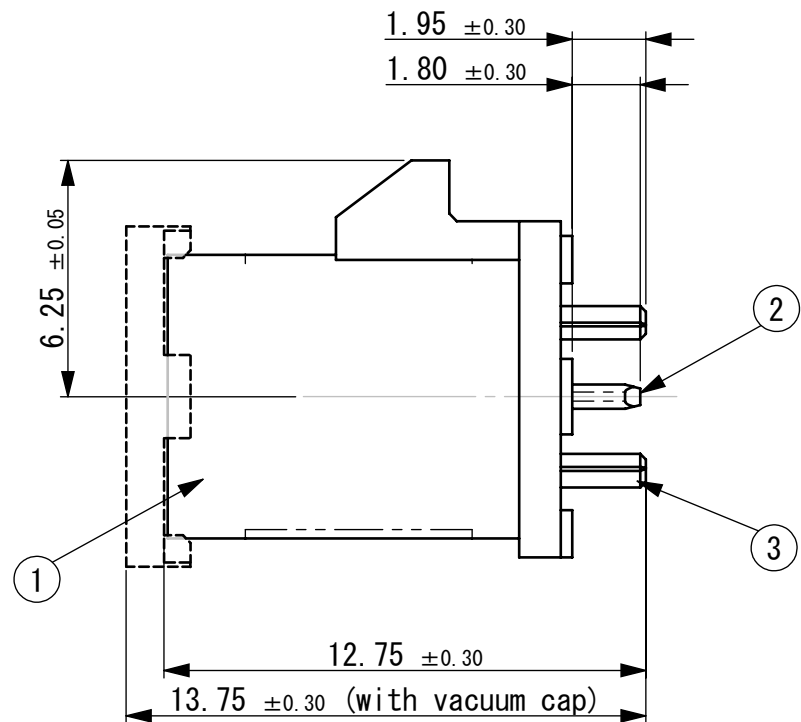


CONFIDENTIAL

REVISION DESCRIPTION		APP.	DRW.	DATE	CHANGE No.
△C x 4	Pick&Place part added	TN	HT	10/16/18	DC18-0077
△D x 1	Terminal length change	TN	HT	04/05/19	DC19-0028
△E x 3	Note added	TN	HT	05/02/19	DC19-0035
△F x 1	Z-Key Option Added	OS	NB	07/30/19	DC19-0061



Notes.

- Configuration of Product name  
**HFU106P-5001-0x-VE**  
Coding varieties
- Suitable mating dimensions are USCAR-18 Revision 3 compliance.
- RoHS compliant
- All contact dimensions referenced are post plated.

Coding varieties Table

A:Black RAL sim. 9005	B:White RAL sim. 9001	C:Blue RAL sim. 5005			G:Gray RAL sim. 7031
	I:Beige RAL sim. 1001		L:Carminе-red RAL sim. 3002		Z:Waterblue RAL sim. 5021

Component

4	Vacuum Cap	1	Heat Resistance Plastic	
3	Outer Contact	1	Zinc Alloy	Tin, 3.0-6.0 μm
2	Center Contact	1	Brass	Gold, 0.15 μm min. over Nickel
1	Insulator	1	Heat Resistance Plastic	PAGT
ITEM	DESCRIPTION	QNT.	MATERIAL	CONTENT

Tolerances ±0.30 unless otherwise specified.  
( ) Reference value

SCALE	APP.	APP.	CHK.	DRW.	DSGN.
5/1					
DIMENTION	mm	09/20/18	09/20/18	09/20/18	09/20/18
ANGLE PROJ	3rd	T. Nishimura	O. Shimizu	H. Takahira	H. Takahira

YAMAICHI ELECTRONICS USA INC.  
 CLASS Vertical FAKRA  
 Part No. HFU106P-5001-0x-VE  
 DRW No. YEU-A3675 Sheet No. 1 / 1 REV. F