
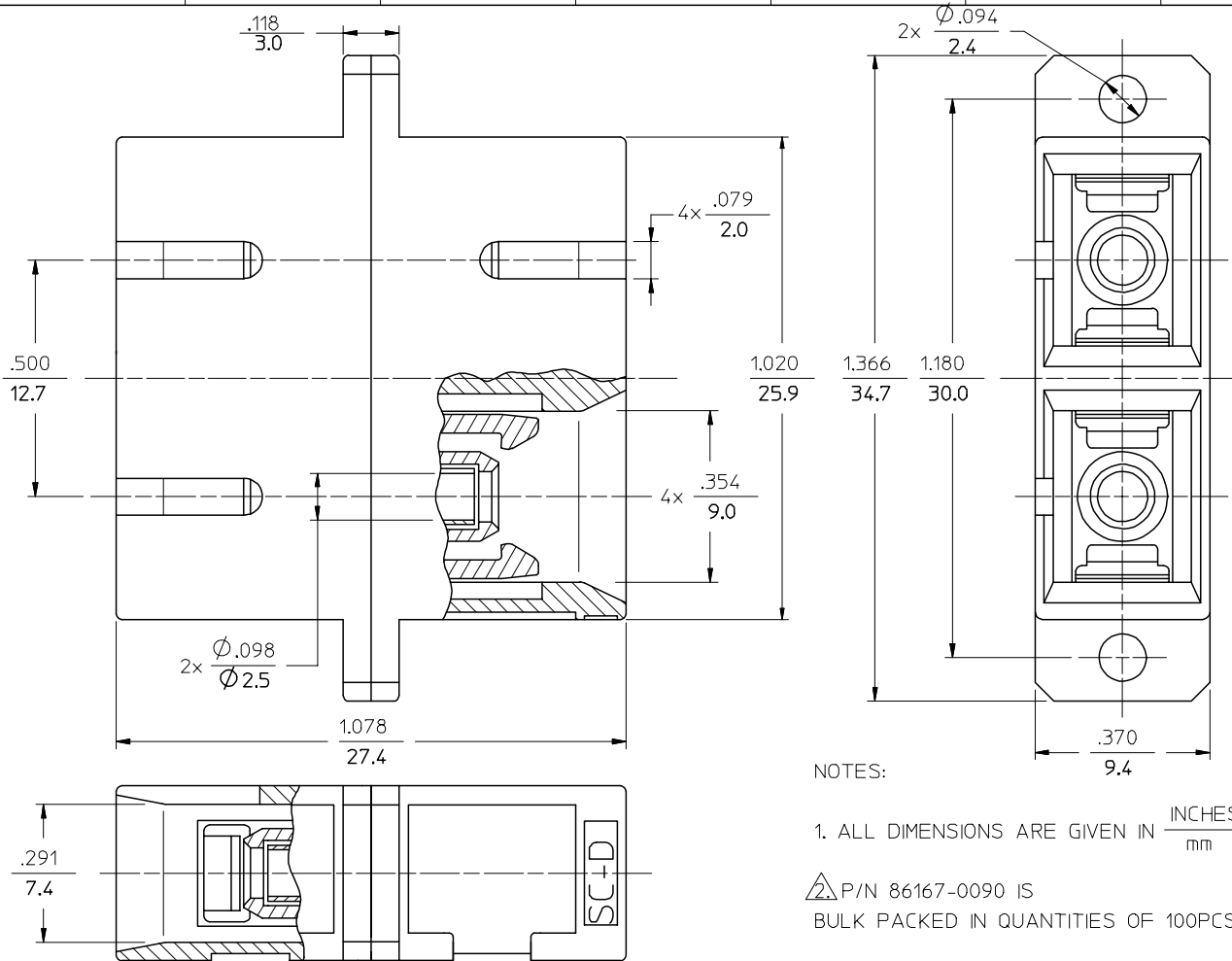

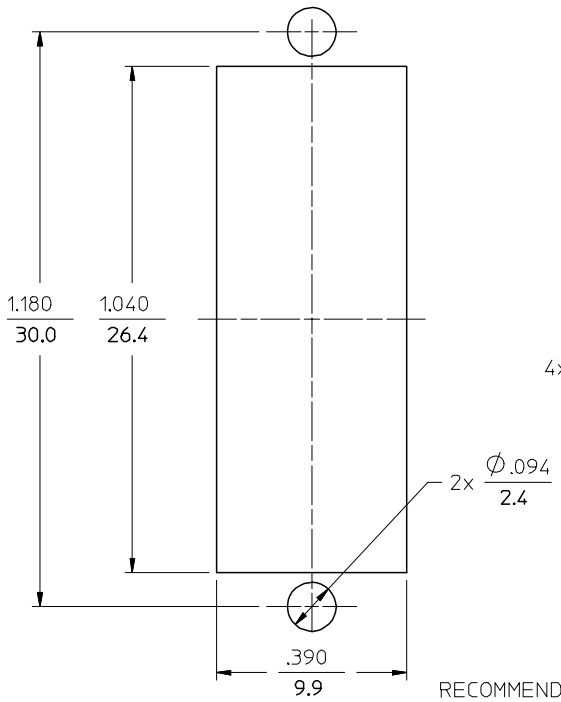

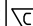
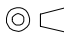


P/N OF ADAPTER	MATERIAL OF SLEEVE	TYPE	COLOR
86166-0000	ZR	SINGLE MODE	BLUE
86167-0000	PHOSPHOR BRONZE		
86167-0090 	PHOSPHOR BRONZE		
86166-0040	ZR	SINGLE MODE	RED
86167-0040	PHOSPHOR BRONZE		
86168-0030	ZR	SINGLE MODE	BLACK
86169-0030	PHOSPHOR BRONZE		
86167-0070		MULTIMODE	AQUA



NOTES:
 1. ALL DIMENSIONS ARE GIVEN IN $\frac{\text{INCHES}}{\text{mm}}$.
 P/N 86167-0090 IS BULK PACKED IN QUANTITIES OF 100PCS.



ENTER DESCRIPTION EC NO: MF2007-0638 DRW: DRW/KPEVNER CHKD: 2007/05/10 APPR: IGUMIN 2007/05/15	QUALITY SYMBOLS  = 0  = 0	GENERAL TOLERANCES (UNLESS SPECIFIED) <table border="1"> <thead> <tr> <th></th> <th>mm</th> <th>INCH</th> </tr> </thead> <tbody> <tr> <td>4 PLACES</td> <td>± .005</td> <td>± .0004</td> </tr> <tr> <td>3 PLACES</td> <td>± .004</td> <td>± .0003</td> </tr> <tr> <td>2 PLACES</td> <td>± .003</td> <td>± .0002</td> </tr> <tr> <td>1 PLACE</td> <td>± .002</td> <td>± .0001</td> </tr> </tbody> </table> ANGULAR ±1/2°		mm	INCH	4 PLACES	± .005	± .0004	3 PLACES	± .004	± .0003	2 PLACES	± .003	± .0002	1 PLACE	± .002	± .0001	DIMENSION STYLE IN/MM DRAWN BY: _____ DATE: _____ CHECKED BY: _____ DATE: _____ APPROVED BY: _____ DATE: _____	SCALE 4:1 DESIGN UNITS INCH  THIRD ANGLE PROJECTION	TITLE DUPLEX ADAPTER (SC-D)
		mm	INCH																	
	4 PLACES	± .005	± .0004																	
	3 PLACES	± .004	± .0003																	
2 PLACES	± .003	± .0002																		
1 PLACE	± .002	± .0001																		
MATERIAL NO. SEE TABLE	DOCUMENT NO. 8616X-00X0CD	SHEET NO. 1 OF 1	MOLEX INCORPORATED																	
DRAFT WHERE APPLICABLE MUST REMAIN WITHIN DIMENSIONS			THIS DRAWING CONTAINS INFORMATION THAT IS PROPRIETARY TO MOLEX INCORPORATED AND SHOULD NOT BE USED WITHOUT WRITTEN PERMISSION																	
G1	REV																			