

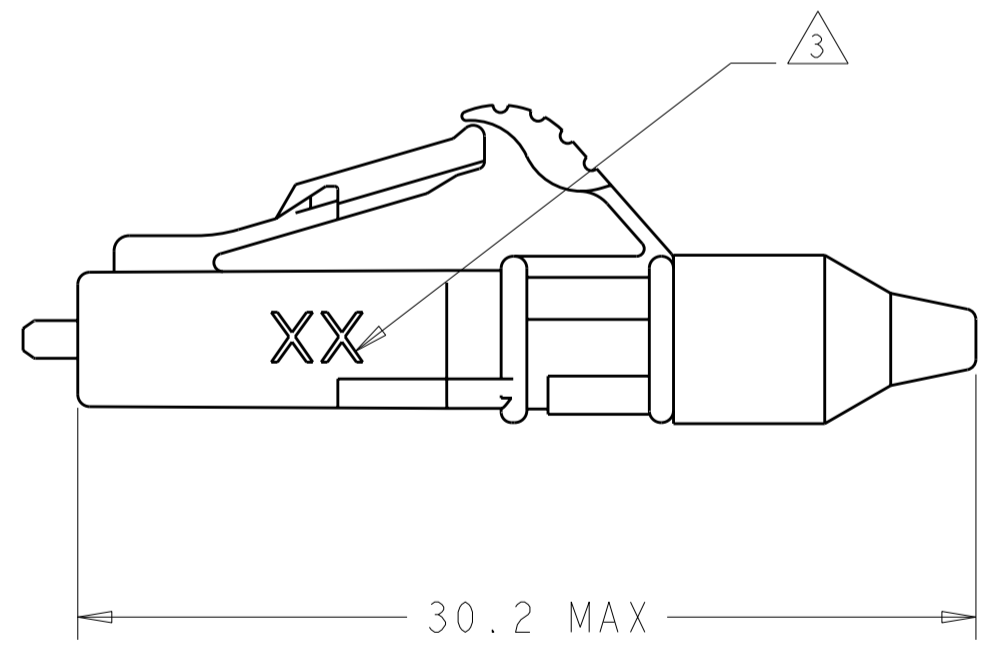
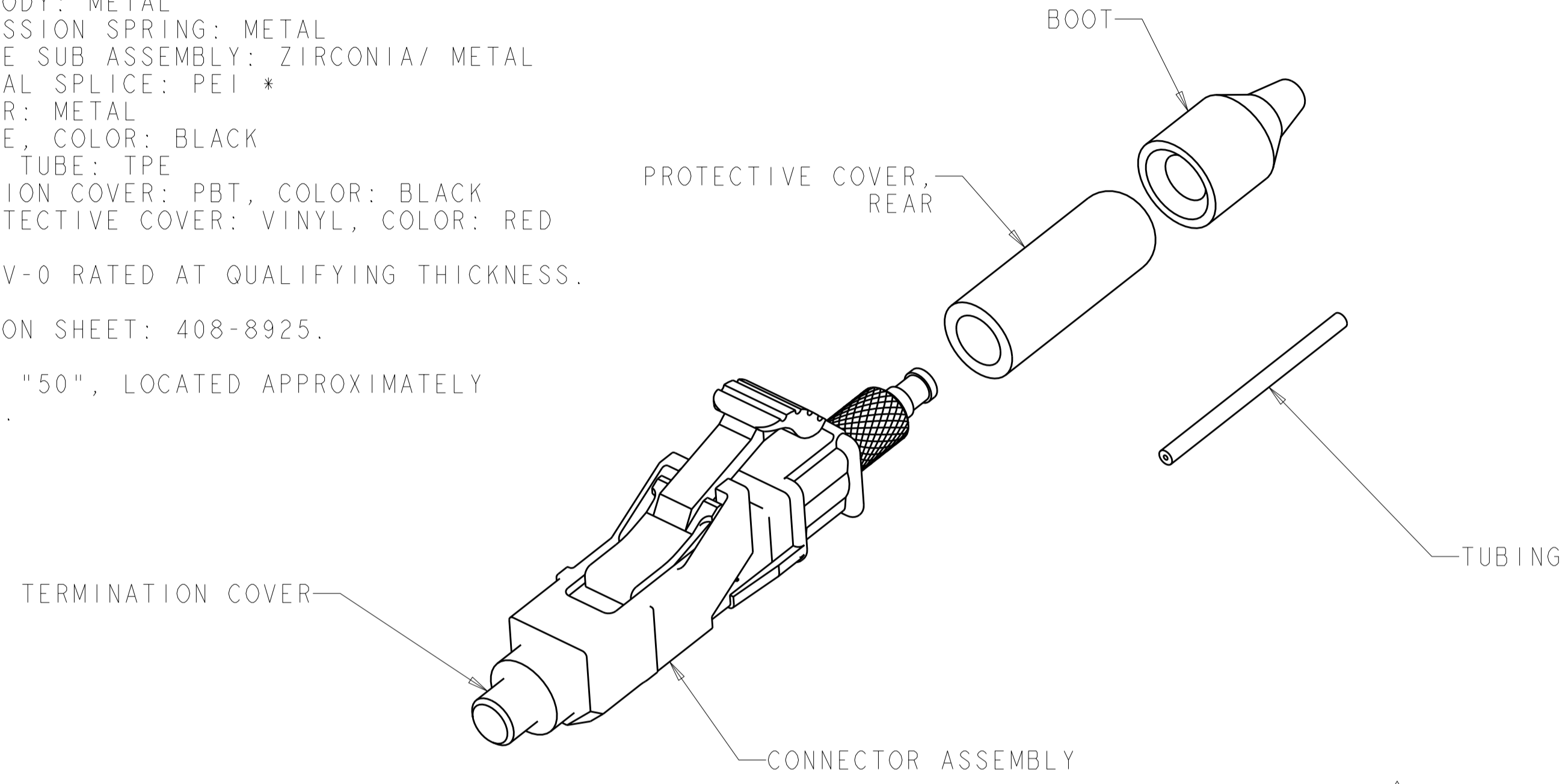
THIS DRAWING IS UNPUBLISHED. RELEASED FOR PUBLICATION 20
 © COPYRIGHT 20 BY TYCO ELECTRONICS CORPORATION. ALL RIGHTS RESERVED.

LOC	DIST	REVISIONS			
P	LTR	DESCRIPTION	DATE	DWN	APVD
	A	REL TO ACTIVE PER 06-027039	4JAN2007	DDE	EH
	B	ECR-08-031868	22DEC2008	KG	SB

1 MATERIAL:
 CONNECTOR ASSEMBLY:
 CONNECTOR HOUSING: PPSU, COLOR: SEE -NO'S.*
 REAR BODY: METAL
 COMPRESSION SPRING: METAL
 FERRULE SUB ASSEMBLY: ZIRCONIA/ METAL
 INTERNAL SPLICE: PEI *
 PLUNGER: METAL
 BOOT: TPE, COLOR: BLACK
 BUILD-UP TUBE: TPE
 TERMINATION COVER: PBT, COLOR: BLACK
 REAR PROTECTIVE COVER: VINYL, COLOR: RED

* UL 94 V-0 RATED AT QUALIFYING THICKNESS.

2. INSTRUCTION SHEET: 408-8925.
 3 MARK WITH "50", LOCATED APPROXIMATELY AS SHOWN.



SLATE	1-1828853-0
ORANGE	1828853-9
VIOLET	1828853-8
BROWN	1828853-7
AQUA	1828853-6
ROSE	1828853-5
BLUE	1828853-4
GREEN	1828853-3
YELLOW	1828853-2
RED	1828853-1
KEYED HOUSING COLOR	PART NO.

<small>THIS DRAWING IS A CONTROLLED DOCUMENT FOR TYCO ELECTRONICS CORPORATION. IT IS SUBJECT TO CHANGE AND THE CONTROLLING ENGINEERING ORGANIZATION SHOULD BE CONTACTED FOR THE LATEST REVISION.</small>		DWN D. ERDMAN 11AUG05 CHK M. GURRERI 11AUG05 APVD D. BAECHEL 11AUG05	Tyco Electronics Harrisburg, PA 17105-3608
DIMENSIONS: mm 	TOLERANCES UNLESS OTHERWISE SPECIFIED: 0 PLC ± 1 PLC ± 2 PLC ± 3 PLC ± 4 PLC ± ANGLES ± FINISH	PRODUCT SPEC APPLICATION SPEC WEIGHT	NAME KIT, CONNECTOR, LightCrimp Plus LC SECURE, SIMPLEX, MM50 SIZE A2 CAGE CODE 00779 DRAWING NO. 1828853 RESTRICTED TO
MATERIAL		CUSTOMER DRAWING SCALE 4:1 SHEET 1 OF 1 REV B	