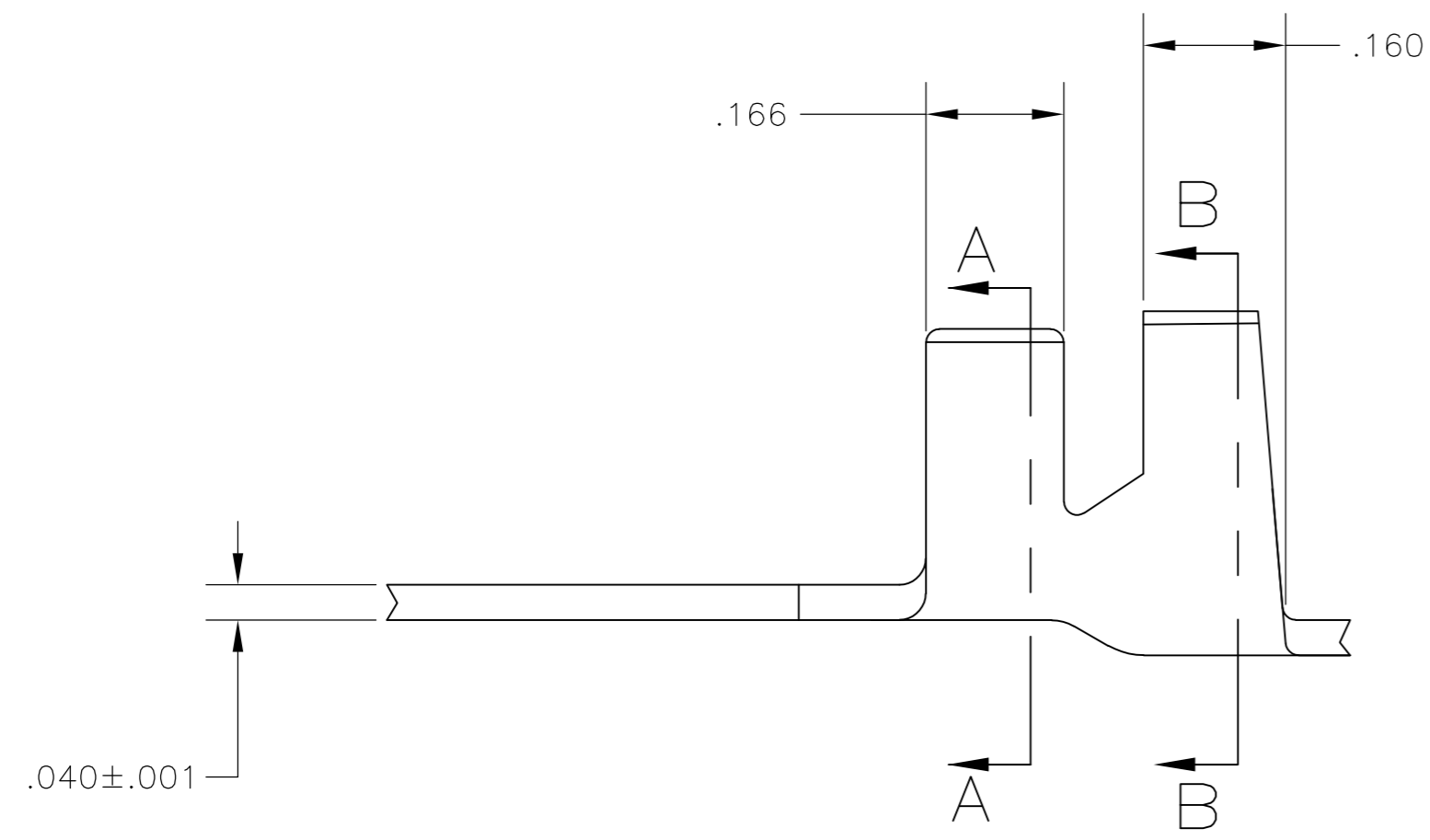
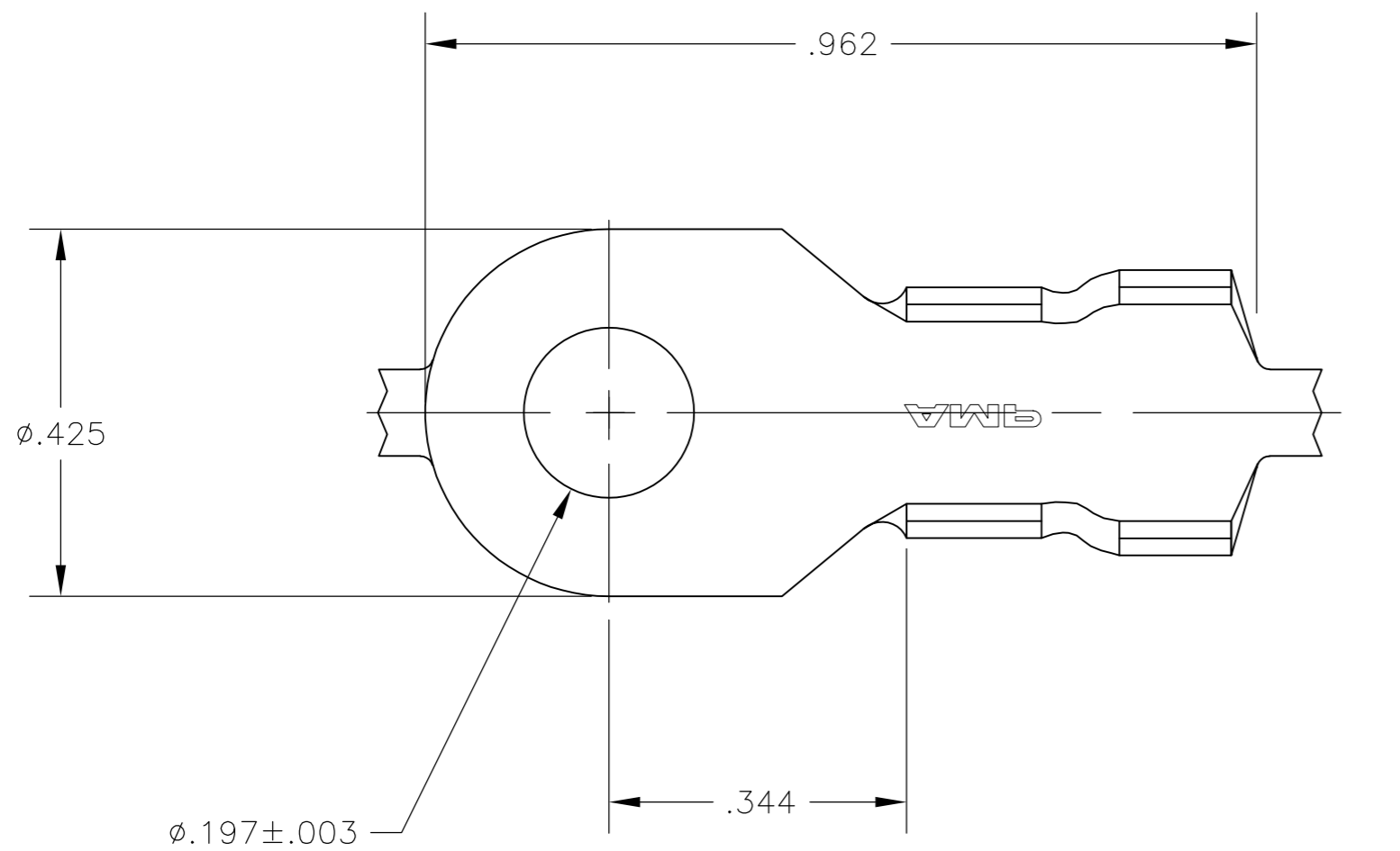
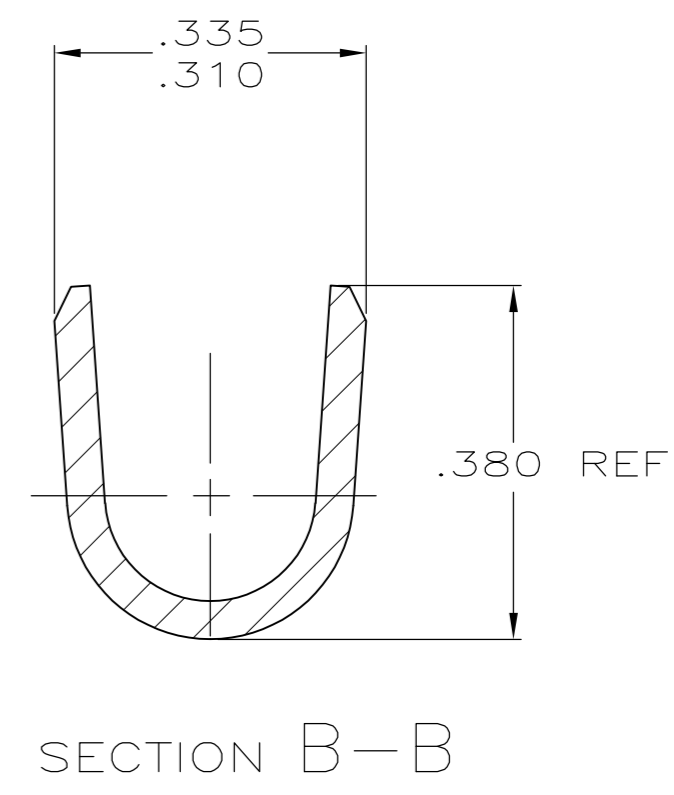
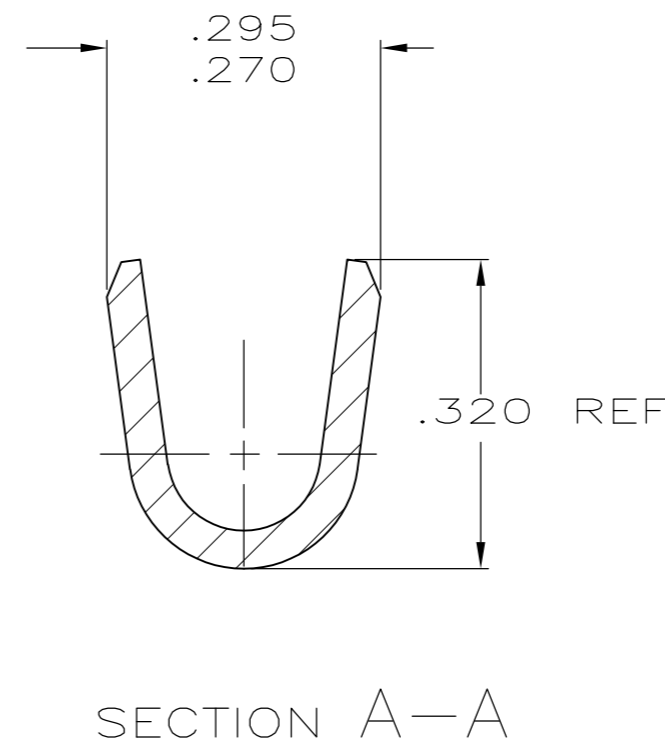


THIS DRAWING IS UNPUBLISHED. RELEASED FOR PUBLICATION
 © COPYRIGHT - TE Connectivity ALL RIGHTS RESERVED.

REVISIONS				
P	LTR	DESCRIPTION	DATE	APVD
E3		REVISED PER ECR-17-013069	06SEP2017	BW FV



- 1 CONTINUOUS STRIP ON REEL.
- 2 WIRE RANGE: #-0-#-8 AWG.
- 3 INSULATION RANGE: .190-.230 DIA.
- △4 .000080 MIN BRIGHT TIN PLATE OVER .000050 MIN NICKEL UNDERPLATE.
- △5 .000080 MIN TIN PLATE.
- △6 SUBSTITUTED BY P/N 640249-3.



OBSOLETE	-	-640249-4
	△5	640249-3
	-	-
△6 OBSOLETE	△4	-640249-1
	FINISH	PART NUMBER

THIS DRAWING IS A CONTROLLED DOCUMENT.		DWN 02MAY2003 MICHAEL S. FEHER	TE TE Connectivity	
DIMENSIONS: INCHES		CHK 02MAY2003 DONALD F. DECKER		
TOLERANCES UNLESS OTHERWISE SPECIFIED:		APVD 02MAY2003 DONALD F. DECKER	NAME #10 STUD, TONGUE, RING	
0 PLC ± -		PRODUCT SPEC -	SIZE CAGE CODE DRAWING NO RESTRICTED TO	
1 PLC ± -		APPLICATION SPEC -	A2 00779 C=640249 -	
2 PLC ± .010		WEIGHT 0.000000	SCALE 5:1 SHEET 1 of 1 REV E3	
3 PLC ± -		CUSTOMER DRAWING		
4 PLC ± -				
ANGLES ± -				
FINISH SEE TABLE				

640249