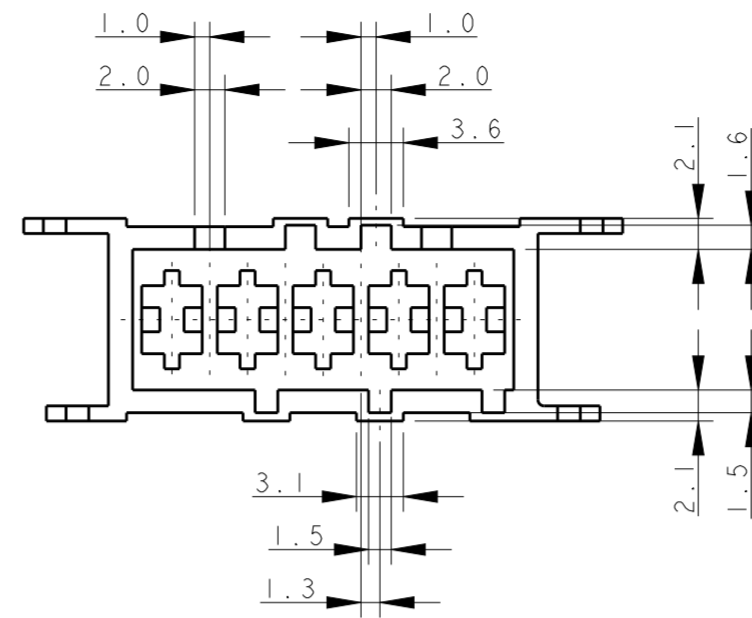


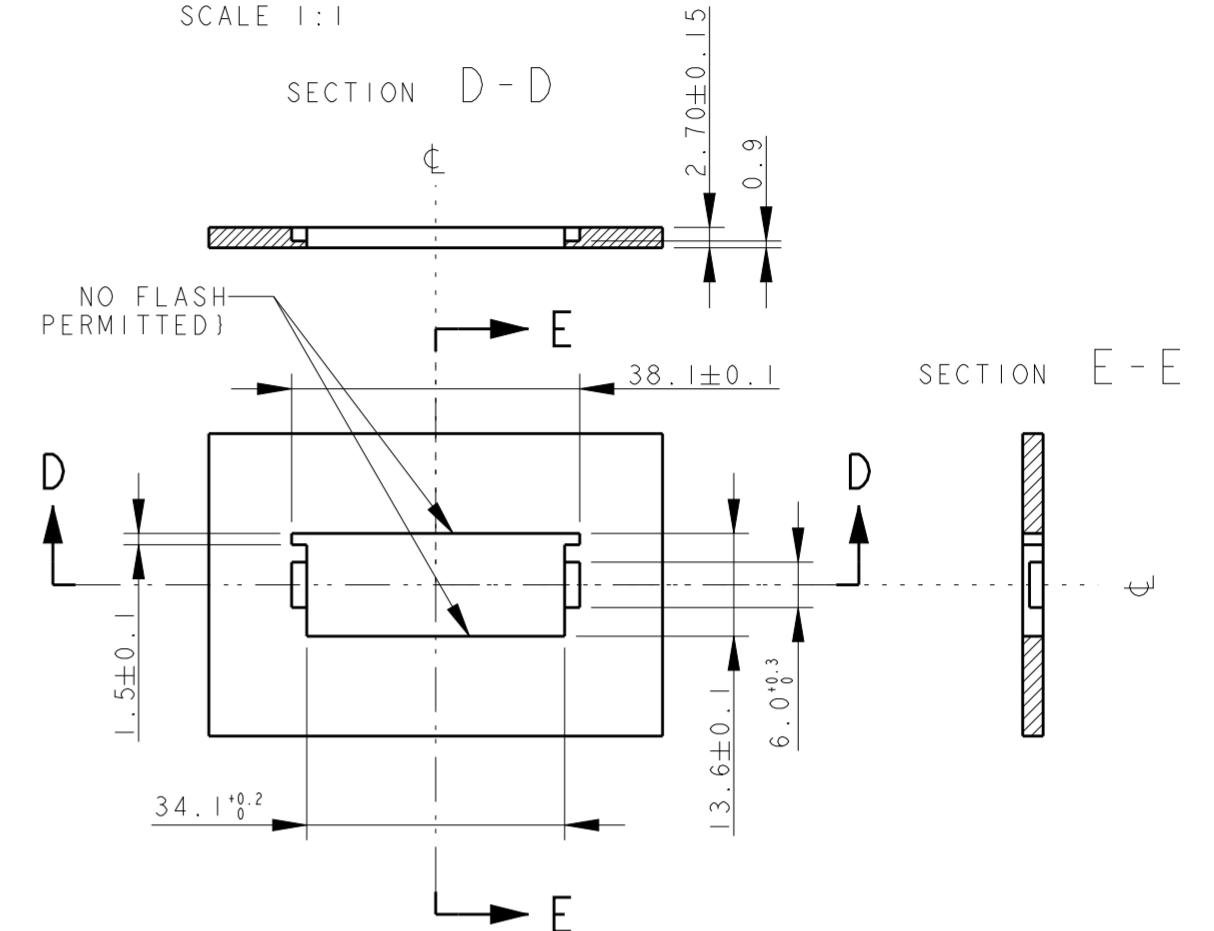
LOC	DIST	REVISIONS					
		P	LTR	DESCRIPTION	DATE	DWN	APVD
		B2		ADDED DASH 3	28 MAY 2008	H. Y.	G. T.
		B3		DASH VERSION 4 ADDED AS PRELIMINARY	02 DEC 2009	PKS	RRP
		B4		293010-4 RELEASED	10MAR2011	PKS	MP
		C		ECR-16-000014	18JAN2016	KD	RR

### POLARIZATION KEYS SCHEME



PANEL MOUNT DIMENSIONS  
SCALE 1:1

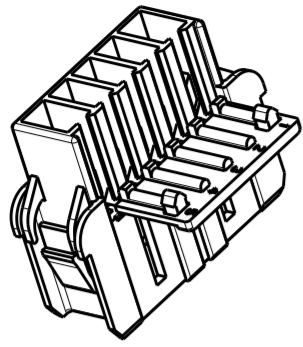
#### SECTION D-D



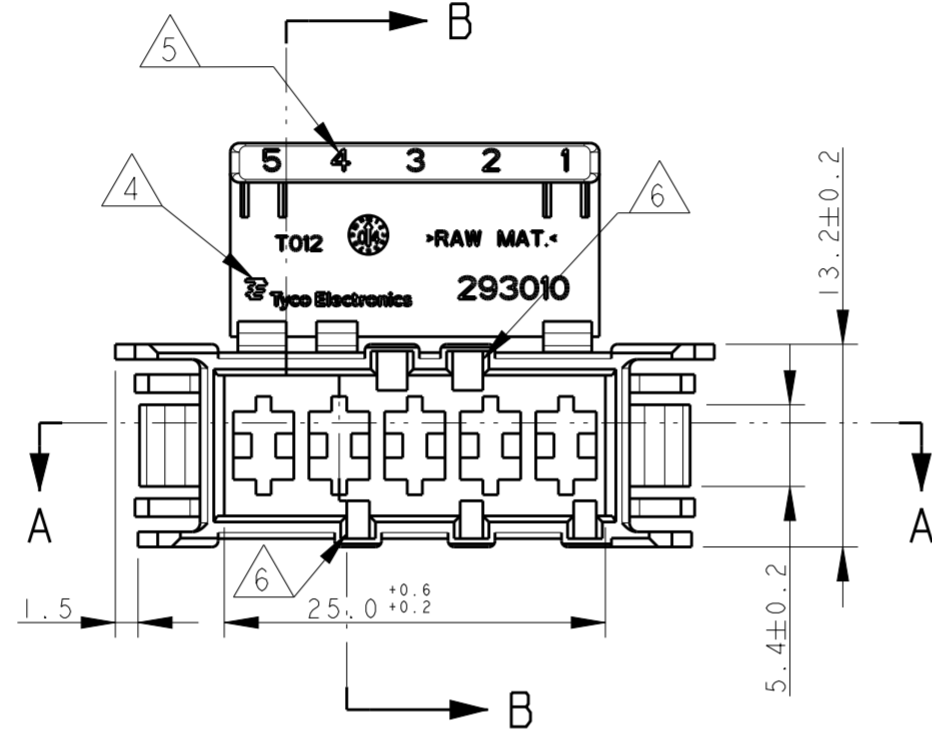
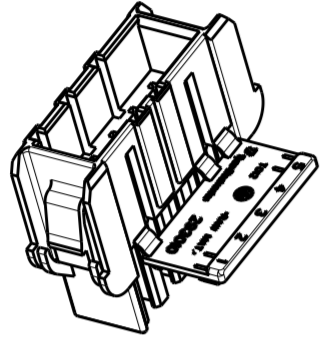
- 1 TYPICAL CAVITY SUITABLE FOR:  
FASTIN-FASTON TAB CONTACTS 6.3 mm SRS:  
P/N: 60294, 0.3-0.8 mm<sup>2</sup> WIRE RANGE  
160691, 0.3-0.8 mm<sup>2</sup> WIRE RANGE  
AMPLIVAR CONTACTS:  
P/N: 141051, 0.1-0.5 mm<sup>2</sup> WIRE RANGE  
142411, 0.3-1.6 mm<sup>2</sup> WIRE RANGE  
MAX. INSULATION DIA. 2.8 mm,  
MAX. INSULATION CRIMP WIDTH 3.3 mm.

- 2 PA6 UNFILLED, UL 94-V2, NATURE COLOUR ACCORDING TO IEC-60335-1 NORM.
- 3 PA66 UNFILLED, UL 94-V2, NATURE COLOUR
- 4 TE TRADEMARK "LOGO" AND TE ELECTRONICS "PART NUMBER" OPTIONAL POSITION.
- 5 CIRCUIT IDENTIFICATION NUMBERS, 1 TO 5
- 6 POLARIZATION KEYS DIMENSIONS AND POSITIONS ARE ACCORDING TO "RAST 5" NORM RAST CODE 05-B, 05-D
- 7 PA66 UNFILLED, UL94-V0, NATURAL COLOR
- 8 PA66 UNFILLED, UL94 V0 GW, NATURAL

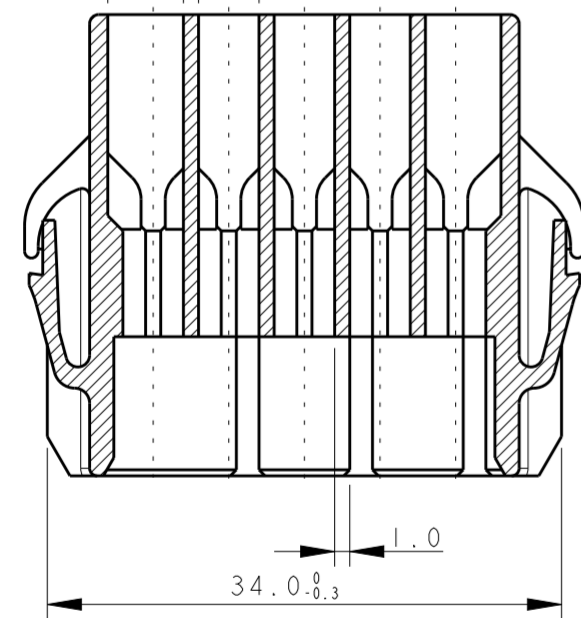
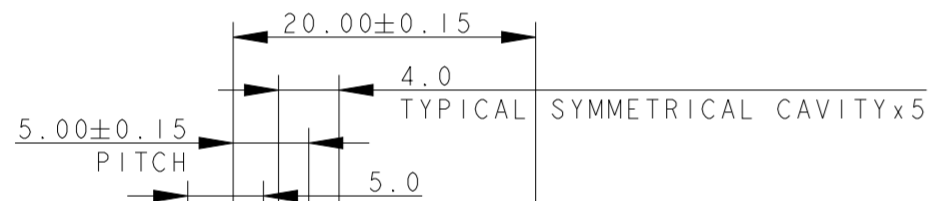
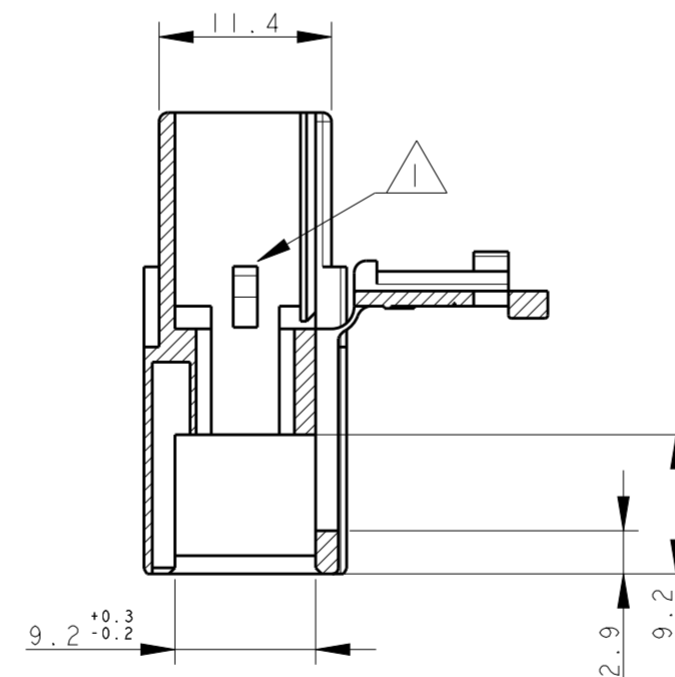
NATURALE (NATUR)	VEDI NOTA 8 (SEE NOTE 8)	293010-4	C
NATURALE (NATUR)	VEDI NOTA 7 (SEE NOTE 7)	293010-3	C
NATURALE (NATUR)	VEDI NOTA 3 (SEE NOTE 3)	293010-2	C
NATURALE (NATUR)	VEDI NOTA 2 (SEE NOTE 2)	293010-1	C
COLORE (COLOUR)	MATERIALE (MATERIAL)	NUMERO (TE P/N)	REV



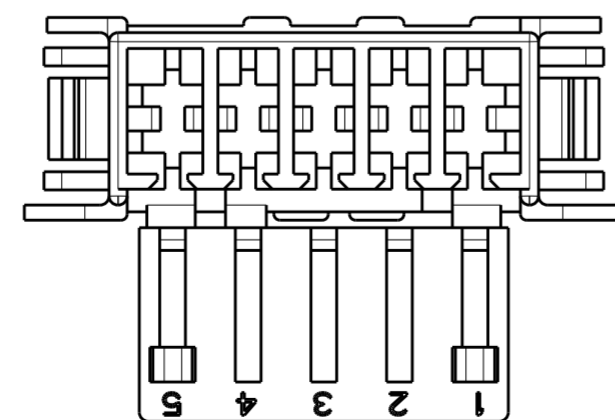
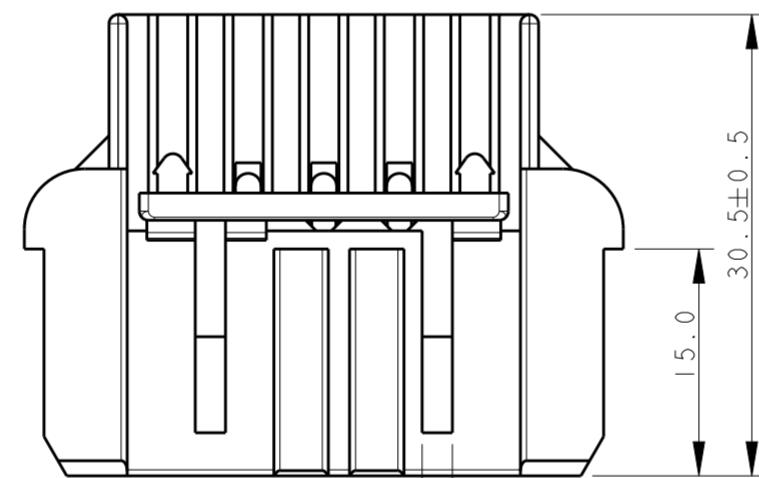
SCALE 1:1



#### SECTION B-B



SUITABLE FOR 0.8-1.0 mm PANEL THK.



THIS DRAWING IS A CONTROLLED DOCUMENT FOR TYCO ELECTRONICS CORPORATION IT IS SUBJECT TO CHANGE AND THE CONTROLLING ENGINEERING ORGANIZATION SHOULD BE CONTACTED FOR THE LATEST REVISION.

DIMENSIONS:	TOLERANCES UNLESS OTHERWISE SPECIFIED:	DWN	H. YAALI
mm	0 PLC ±	CHK	C. TARTARI
	1 PLC ±0.3	APVD	
	2 PLC ±	PRODUCT SPEC	108-20256
	3 PLC ±	APPLICATION SPEC	
	4 PLC ±	WEIGHT	
	ANGLES ±1°	CUSTOMER DRAWING	
MATERIAL	FINISH	SCALE	2:1
SEE TABLE	SEE TABLE	SHEET	1 OF 1

Tyco Electronics AMP Italia S.p.A. C.so F. Cervi, 15 COLLEGGNO (TO)			
NAME 5 POS. FASTIN-FASTON Connector TAB HOUSING, RAST 5 08-1.0 MM THK. PANEL MOUNT VERSION			
SIZE	CAGE CODE	DRAWING NO	RESTRICTED TO
A2	00779	C-293010	
SCALE 2:1			REV C