

VeriSafe™ Retrofit Enclosure

specifications

The VeriSafe Retrofit Enclosure is a small enclosure with the VeriSafe AVT installed. The VeriSafe Retrofit Enclosure allows the VeriSafe AVT to be added to existing applications where a VeriSafe AVT would not physically fit in the existing equipment or where adding knockouts for the indicator module is not permitted. Installation is fast and easy as the enclosure is able to be mounted in several orientations with 4 pre-drilled conduit knockouts to route the VeriSafe AVT sensor leads.



technical information

Dimensions:	8"W x 4"D x 8"H
Enclosure Materials:	16 gauge steel
Conduit Ports:	(4) 0.875 inch conduit holes for ½" size conduit (3) removable hole plugs for unused conduit holes
Operating Temperature:	0°C to + 60°C (32°F to 140°F)
Altitude:	Up to 5000 meters (3.1 miles)
Electrical Systems:	For use in 1 and 3-phase AC Systems
Voltage Detection Range:	Up to 600V AC (50/60Hz), 600V DC; Rated tolerance +10%
Degree of Protection:	Type (UL, NEMA, CSA) 12, 4, 13, IP66
Listings:	UL 508A

key features and benefits

Compact & Space Saving:	Utilize an external enclosure to install the VeriSafe AVT in existing applications: <ul style="list-style-type: none">• where space is limited for the AVT indicator and/or isolation module• adding the AVT indicator module to the door is not possible
Fast Installation:	Use existing conduit ports and knockouts to eliminate modifications to existing equipment. Flexible design allows multiple mounting orientations VeriSafe AVT is pre-installed.

applications

The VeriSafe Retrofit Enclosure is optimized to add the VeriSafe AVT to existing equipment with minimal modifications. The enclosure has ingress ratings to support use in harsh

environments. The VeriSafe Retrofit Enclosure has a heavy duty, continuously hinged cover that provides a 180 degree opening.

VeriSafe Retrofit Enclosure

VS-AVT-RBOX: Complete enclosure to retrofit equipment with VeriSafe Absence of Voltage Tester. Includes 8" x 8" x 4" panel and AVT device with 10ft. sensor leads and 2ft. system cable.

VeriSafe Insulation Piercing Connectors

VS-CKP14-6: VeriSafe Insulation Piercing Connection Kit for Tapping 14 to 6 AWG conductors. Kit includes 3 connectors for installment of 1 AVT.

VS-CKP4-000: VeriSafe Insulation Piercing Connection Kit for Tapping 4 to 3/0 AWG conductors. Kit includes 3 connectors for installment of 1 AVT.

VeriSafe Split Bolt Connectors

CKSB10-8: VeriSafe Split Bolt Connection Kit for tapping 10 to 8 AWG conductors. For use with VeriSafe Absence of Voltage Tester.

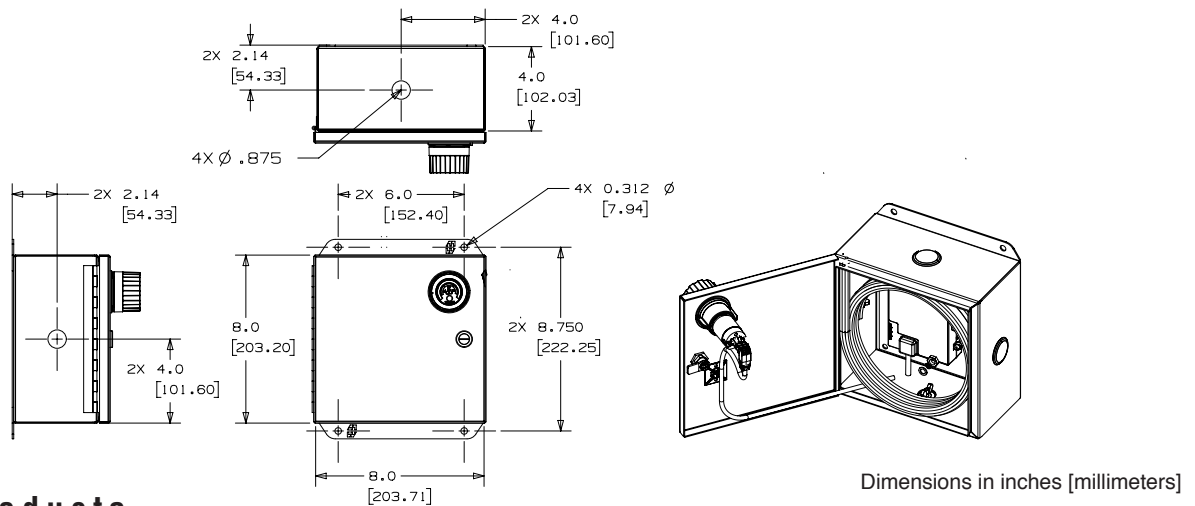
VS-CKSB6-2: VeriSafe Split Bolt Connection Kit for tapping 6 to 2 AWG conductors. For use with VeriSafe Absence of Voltage Tester.

VS-CKSB1-00: VeriSafe Split Bolt Connection Kit for tapping 2 to 2/0 AWG conductors. For use with VeriSafe Absence of Voltage Tester.

VeriSafe™ Retrofit Enclosure

part information

Part Number	Description
VS-AVT-RBOX	Complete enclosure to retrofit equipment with VeriSafe Absence of Voltage Tester. Includes 8" x 8" x 4" panel and AVT device with 10ft. sensor leads and 2ft. system cable.



related products

Part Number	Description
VS-CKP14-6	VeriSafe Insulation Piercing Connection Kit for Tapping 14 to 6 AWG conductors. Kit includes connectors to terminate sensor leads for (1) AVT.
VS-CKP4-000	VeriSafe Insulation Piercing Connection Kit for Tapping 4 to 3/0 AWG conductors. Kit includes connectors to terminate sensor leads for (1) AVT.
VS-CKSB10-8	VeriSafe Split Bolt Connection Kit for tapping 10 to 8 AWG conductors. Kit includes connectors to terminate sensor leads for (1) AVT.
VS-CKSB6-2	VeriSafe Split Bolt Connection Kit for tapping 6 to 2 AWG conductors. Kit includes connectors to terminate sensor leads for (1) AVT.
VS-CKSB1-00	VeriSafe Split Bolt Connection Kit for tapping 2 to 2/0 AWG conductors. Kit includes connectors to terminate sensor leads for (1) AVT.



VeriSafe Insulation Piercing Connectors



VeriSafe Split Bolt Connectors

DISCLAIMER: The information contained herein is intended as a guide for use by persons having technical skill at their own discretion and risk. Before using, buyer shall determine the suitability of the Panduit product for his intended use and buyer assumes all risk and liability whatsoever in connection therewith.

WORLDWIDE SUBSIDIARIES AND SALES OFFICES

PANDUIT US/CANADA
Phone: 800.777.3300

PANDUIT EUROPE LTD.
London, UK
cs-emea@panduit.com
Phone: 44.20.8601.7200

PANDUIT SINGAPORE PTE. LTD.
Republic of Singapore
cs-ap@panduit.com
Phone: 65.6305.7575

PANDUIT JAPAN
Tokyo, Japan
cs-japan@panduit.com
Phone: 81.3.6863.6000

PANDUIT LATIN AMERICA
Guadalajara, Mexico
cs-la@panduit.com
Phone: 52.33.3777.6000

PANDUIT AUSTRALIA PTY. LTD.
Victoria, Australia
cs-aus@panduit.com
Phone: 61.3.9794.9020

For a copy of Panduit product warranties, log on to www.panduit.com/warranty

For more information

Visit us at www.panduit.com

Contact Customer Service by email: cs@panduit.com
or by phone: 800.777.3300

PANDUIT®

©2018 Panduit Corp.
ALL RIGHTS RESERVED.
SFSP03-SA-ENG
9/2018