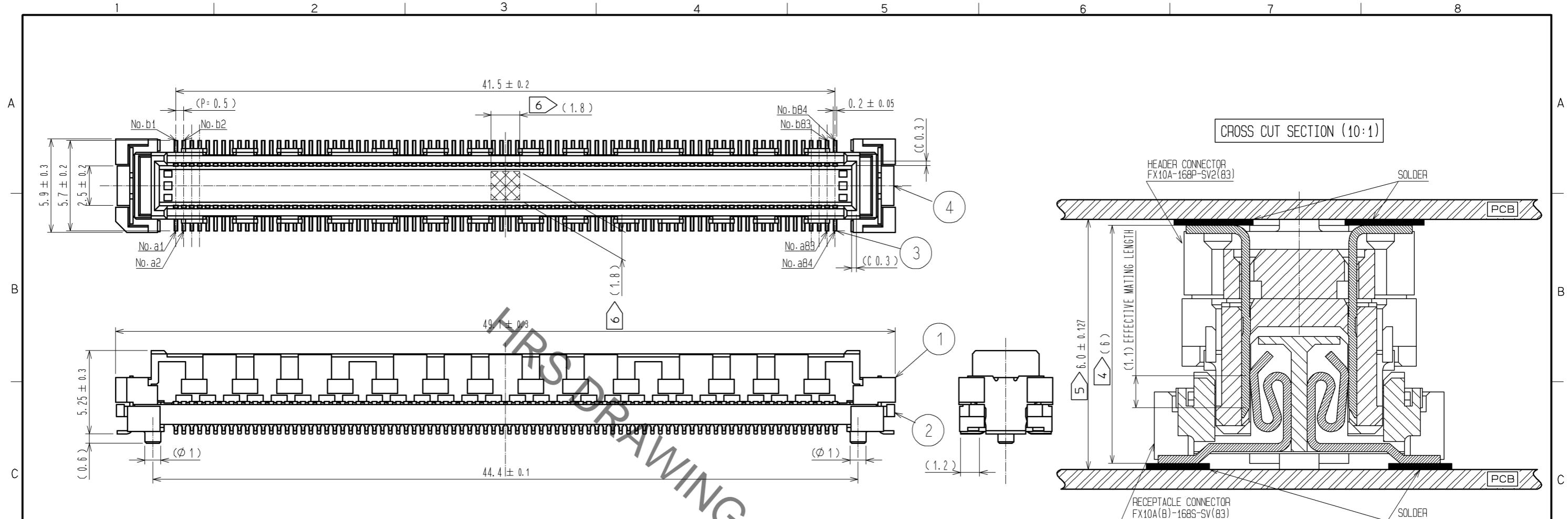
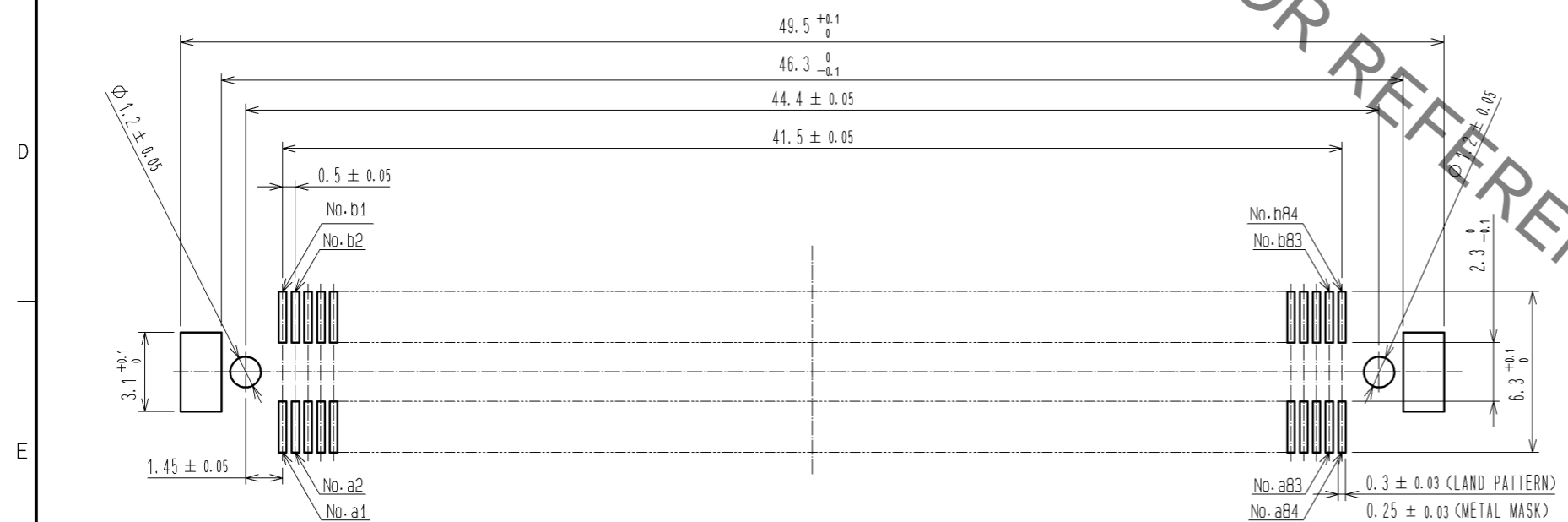


May.1.2023 Copyright 2023 HIROSE ELECTRIC CO., LTD. All Rights Reserved.  
In case of consideration for using Automotive equipment / device which demand high reliability, kindly contact our sales window correspondents.



RECOMMENDED LAND PATTERN DIMENSION OF PCB  
(RECOMMENDED METAL MASK THICKNESS:0.15mm)



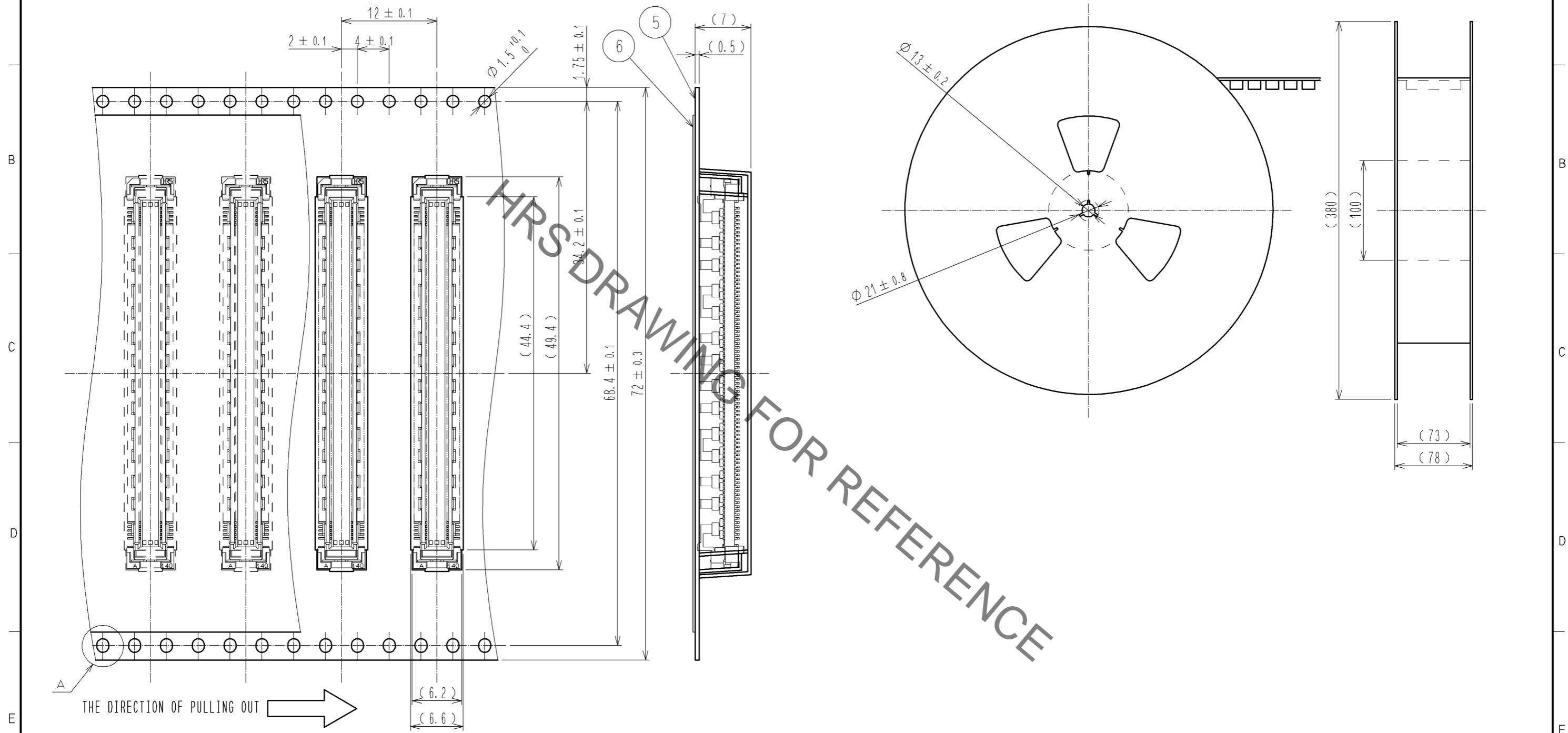
- NOTES
- 1 SMT LEAD-COPLANARITY:0.1 MAX.
  - 2 THIS PRODUCT HAS NO POLARITY TO PATTERN FOR MOUNTING.
  - 3 THE DIMENSIONS IN PARENTHESES ARE FOR REFERENCE.
  - 4 STACKING HEIGHT FROM LEAD TO LEAD(REFERENCE DIMENSIONS)
  - 5 BOARD DISTANCE
  - 6 AREA IS VACUUM PICKUP AREA FOR REFERENCE.

3	COPPER ARROY	CONTACT AREA:GOLD 0.76µm min.	6	PET	TOP COVER TAPE			
		LEAD AREA:GOLD 0.03µm min.	5	PS	EMBOSSED CARRIER TAPE			
		UNDER PLATING:NICKEL 1.3µm min.	4	COPPER ARROY	SURFACE AREA:GOLD 0.03µm min. UNDER PLATING:NICKEL 1.3µm min.			
1, 2	LCP	BEIGE UL94V-0						
NO.	MATERIAL	FINISH . REMARKS	NO.	MATERIAL	FINISH . REMARKS			
UNITS mm			SCALE 4 : 1	COUNT	DESCRIPTION OF REVISIONS	DESIGNED	CHECKED	DATE
<b>HRS</b> HIROSE ELECTRIC CO., LTD.		APPROVED : HS. OKAWA	11.03.24	DRAWING NO.	EDC3-330879-01			
		CHECKED : KI. HIROKAWA	11.03.24	PART NO.	FX10A-168P-SV2(83)			
		DESIGNED : DK. AIMOTO	11.03.23	CODE NO.	CL570-0302-1-83			
		DRAWN : DK. AIMOTO	11.03.23					

May.1.2023 Copyright 2023 HIROSE ELECTRIC CO., LTD. All Rights Reserved.  
In case of consideration for using Automotive equipment / device which demand high reliability, kindly contact our sales window correspondents.

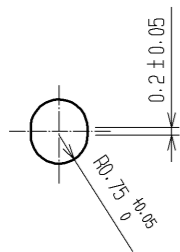
# DRAWING FOR PACKING(2:1)

REELED DIMENSION(FREE)



THE DIRECTION OF PULLING OUT

A(5:1)



- NOTES 1 1REEL:900 CONNECTORS.  
2 MINIMUM 10 COMPARTMENTS FROM BOTH REEL ENDS REMAIN EMPTY.  
3 THIS PRODUCT HAS NO POLARITY TO TAPE AND REEL PACKAGING.  
4 THE DIMENSIONS IN PARENTHESES ARE FOR REFERENCE.

<b>HRS</b>	DRAWING NO.	EDC3-330879-01
	PART NO.	FX10A-168P-SV2(83)
	CODE NO.	CL570-0302-1-83
		2/2