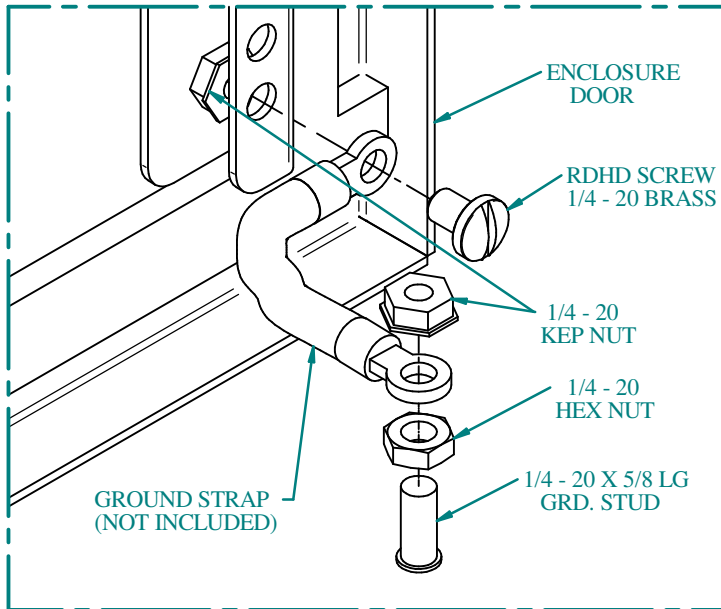


# 2000 WALLMOUNT- SERIES

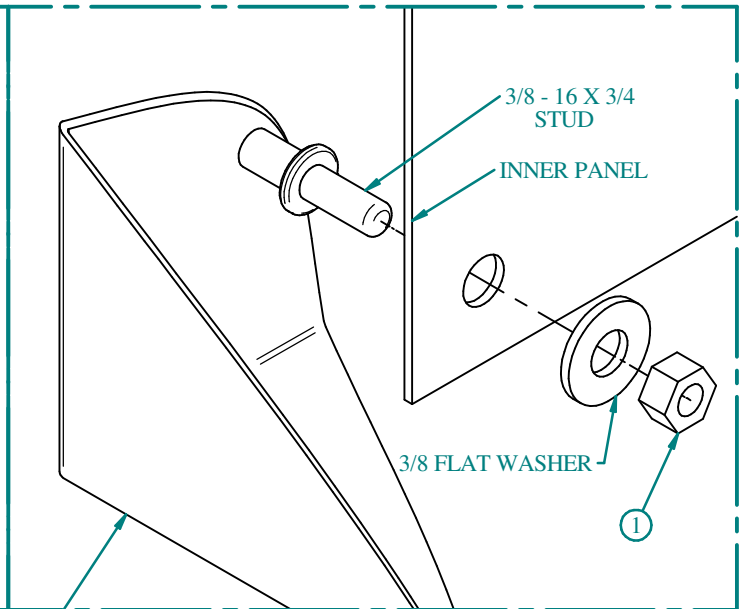
BU10051  
REV. C

## ASSEMBLY INSTRUCTIONS FOR 2P, 2R & 2S SERIES

### GROUND HARDWARE KIT



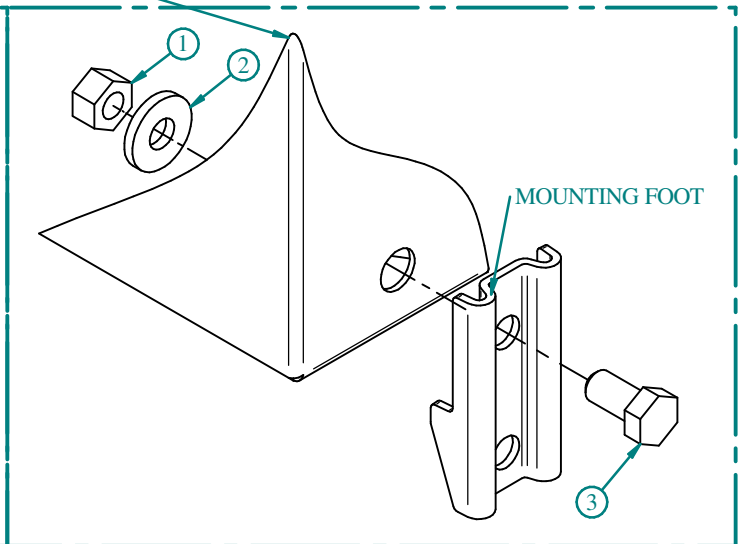
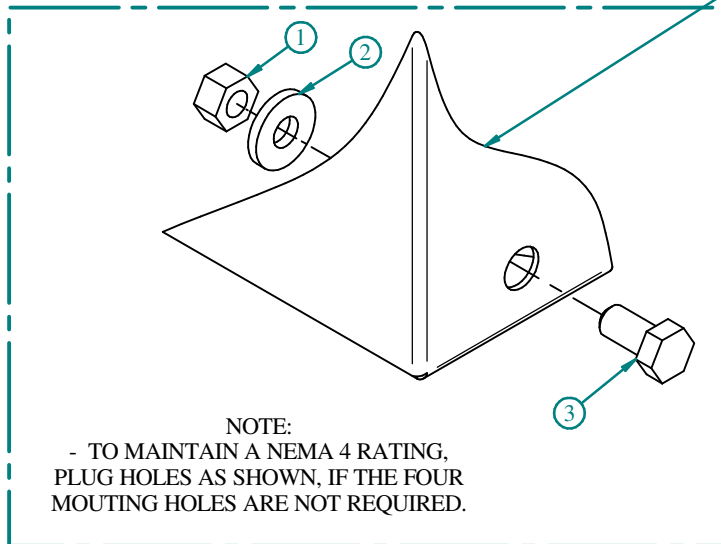
### INNER PANEL ASSEMBLY



### HOLE PLUG ASSEMBLY

### ENCLOSURE

### MOUNTING FOOT (VERTICAL)

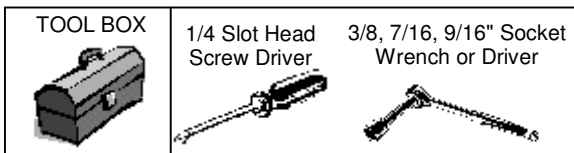


### NOTES:

- WHEN MOUNTING THE ENCLOSURE USING INTERNAL HOLES, MAKE SURE THE SURFACE IS FLAT OR SHIM THE SURFACE TO FLATTEN . USE A HEX HEAD BOLT (PART 1) AND A SEALING WASHER (PART 2) (RUBBER SIDE IN CONTACT WITH THE ENCLOSURE).

-TORQUE 3/8 - 16 TO 180" LBS. AND 1/4 - 20 TO 50" LBS.

PART #	QTY.	DESCRIPTION
1	4	HEX NUT 3/8 - 16
2	4	3/8 SEALING WASHER
3	4	HEX HEAD BOLT 3/8 - 16 X 3/4



**HAMMOND  
MANUFACTURING™  
ENCLOSURES**