

## STM32 Cortex®-M0+ MCUs programming manual

### Introduction

This programming manual provides information for application and system-level software developers. It gives a full description of the programming model, instruction set, and core peripherals of the Cortex® M0+ processor.

Cortex®-M0+ is a high performance 32-bit processor designed for integration in microcontrollers. It offers significant benefits to developers, including:

- Outstanding processing performance combined with fast interrupt handling
- Enhanced system debug with extensive breakpoint options
- Efficient processor core, system, and memories
- Ultralow power consumption with integrated sleep modes
- Platform security

**Table 1. Applicable products**

Type	Products
Microcontrollers	STM32C0 series, STM32G0 series, STM32L0 series, STM32WB series, STM32WL5x product line

## 1 About this document

This document provides the information required for application and system-level software development. It does not provide information on debug components, features, or operation.

This material is for microcontroller software and hardware engineers, including those who have no experience of Arm®.

*Note:* Arm is a registered trademark of Arm Limited (or its subsidiaries) in the US and/or elsewhere.

### 1.1 Typographical conventions

The typographical conventions used in this document are:

<i>italic</i>	Highlights important notes, introduces special terminology, denotes internal cross-references, and citations.
<b>bold</b>	Highlights interface elements, such as menu names. Denotes signal names. Also used for terms in descriptive lists, where appropriate.
<code>monospace</code>	Denotes text that the user can enter at the keyboard, such as commands, file and program names, and source code.
<u><code>monospace</code></u>	Denotes a permitted abbreviation for a command or option. The user can enter the underlined text instead of the full command or option name.
<i><code>monospace italic</code></i>	Denotes arguments to monospace text where the argument is to be replaced by a specific value.
<code>monospace bold</code>	Denotes language keywords when used outside example code.
< and >	Enclose replaceable terms for assembler syntax where they appear in code or code fragments. For example: <code>LDRSB&lt;cond&gt; &lt;Rt&gt;, [&lt;Rn&gt;, #&lt;offset&gt;]</code>

### 1.2 List of abbreviations for registers

The following abbreviations are used in register descriptions:

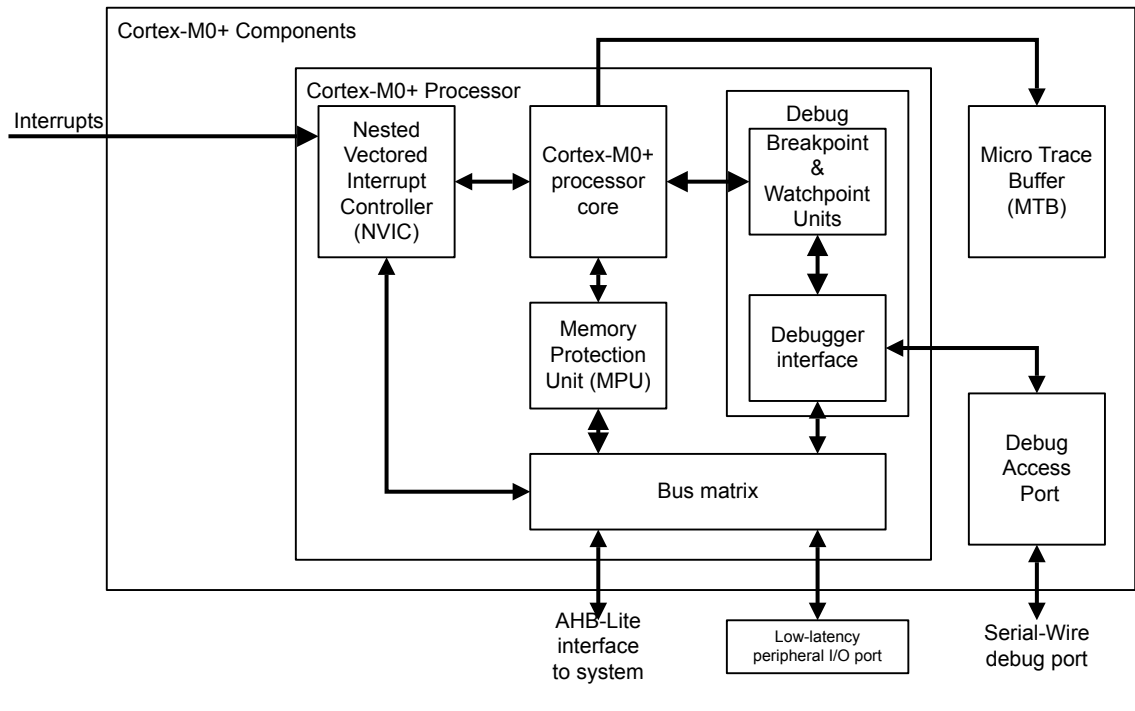
read/write (rw)	The software can read and write to these bits.
read-only (r)	The software can only read these bits.
write-only (w)	The software can only write to this bit. Reading the bit returns the reset value.
read/set (rs)	The software can read as well as set this bit. Writing '0' has no effect on the bit value.
read/clear (rc_w)	The software can read as well as clear this bit by writing any value.
read/clear (rc_w1)	The software can read as well as clear this bit by writing 1. Writing '0' has no effect on the bit value.
read/clear (rc_w0)	The software can read as well as clear this bit by writing 0. Writing '1' has no effect on the bit value.
toggle (t)	The software can only toggle this bit by writing '1'. Writing '0' has no effect.
Reserved (Res.)	Reserved bit, must be kept at reset value.

### 1.3 About the Cortex® M0+ processor and core peripherals

The Cortex®-M0+ processor is an entry-level 32-bit Arm® Cortex® processor designed for a broad range of embedded applications. It offers significant benefits to developers, including:

- A simple architecture that is easy to learn and program.

- Ultra-low power, energy-efficient operation.
- Excellent code density.
- Deterministic, high-performance interrupt handling.
- Upward compatibility with Cortex-M processor family.
- Platform security robustness, with optional integrated memory protection unit (MPU).

**Figure 1. Cortex®-M0+ implementation**


The Cortex®-M0+ processor is built on a 32-bit processor core that is highly optimized for area and power, with a 2-stage pipeline Von Neumann architecture. The processor delivers exceptional energy efficiency through a small but powerful instruction set and extensively optimized design, providing high-end processing hardware including a single-cycle multiplier.

The Cortex®-M0+ processor implements the ARMv6-M architecture, which is based on the 16-bit Thumb® instruction set and includes Thumb-2 technology. This provides the exceptional performance expected of a modern 32-bit architecture, with a higher code density than other 8-bit and 16-bit microcontrollers.

The Cortex®-M0+ processor closely integrates a configurable nested vectored interrupt controller (NVIC), to deliver industry-leading interrupt performance. The NVIC:

- Includes a non-maskable interrupt (NMI).
- Provides zero jitter interrupt option.
- Provides four interrupt priority levels.

The tight integration of the processor core and NVIC provides fast execution of interrupt service routines (ISRs), dramatically reducing the interrupt latency. This is achieved through the hardware stacking of registers, and the ability to abandon and restart load-multiple and store-multiple operations. Interrupt handlers do not require any assembler wrapper code, removing any code overhead from the ISRs. Tail-chaining optimization also significantly reduces the overhead when switching from one ISR to another.

To optimize low-power designs, the NVIC integrates with the sleep modes that include a deep-sleep function that enables the entire device to be rapidly powered down.

### 1.3.1 System-level interface

The Cortex®-M0+ processor provides a single system-level interface using AMBA® technology to provide high speed low latency memory accesses.

The Cortex®-M0+ processor has an optional memory protection unit (MPU) that provides fine grain memory control, enabling applications to use multiple privilege levels, separating and protecting code, data, and stack on a task-by-task basis. Such requirements are becoming critical in many embedded applications such as automotive systems.

### 1.3.2 Integrated configurable debug

The Cortex®-M0+ processor implements a complete hardware debug solution, with extensive hardware breakpoint data, and watchpoint options. This provides high system visibility of the processor, memory, and peripherals through a <2-pin serial wire debug (SWD) port> that is ideal for microcontrollers and other small package devices.

### 1.3.3 Cortex®-M0+ processor feature summary

- Thumb instruction set with Thumb-2 technology.
- High code density with 32-bit performance.
- User and privileged mode execution.
- Tools and binary upwards compatible with Cortex®-M processor family.
- Integrated ultra low-power sleep modes.
- Efficient code execution enabling slower processor clock or increased sleep time.
- Single-cycle 32-bit hardware multiplier.
- Zero jitter interrupt handling.
- Memory protection unit (MPU) for safety-critical applications.
- Low latency, high-speed peripheral I/O port.
- A vector table offset register.
- Extensive debug capabilities.

### 1.3.4 Cortex®-M0+ core peripherals

These are:

#### Nested vectored interrupt controller (NVIC)

The NVIC is an embedded interrupt controller that supports low latency interrupt processing.

#### System control block

The System control block (SCB) is the programmers model interface to the processor. It provides system implementation information and system control, including configuration, control, and reporting of system exceptions.

#### System timer

The system timer, SysTick, is a 24-bit count-down timer. Use this as a real time operating system (RTOS) tick timer or as a simple counter.

#### Memory protection unit

The memory protection unit (MPU) improves system reliability by defining the memory attributes for different memory regions. It provides up to eight different regions, and an optional predefined background region.

#### I/O port

The I/O port provides single-cycle loads and stores to tightly coupled peripherals.

## 2 Cortex®-M0+ processor

### 2.1 Programmers model

This section describes the Cortex®-M0+ programmers model. In addition to the individual core register descriptions, it contains information about the processor modes, privilege levels for software execution, and stacks.

#### 2.1.1 Processor modes and privilege levels for software execution

The processor modes are:

- Thread mode Executes application software. The processor enters thread mode when it comes out of reset.
- Handler mode Handles exceptions. The processor returns to thread mode when it has finished all exception processing.

The privilege levels for software execution are:

- The software:
  - Has limited access to system registers using the MSR and MRS instructions, and cannot use the CPS instruction to mask interrupts.
  - Cannot access the system timer, NVIC, or system control block.
  - Might have restricted access to memory or peripherals.
- Unprivileged
- Privileged The software can use all the instructions and has access to all resources. Privileged software executes at the privileged level.

In thread mode, the CONTROL register controls whether software execution is privileged or unprivileged, see [CONTROL register](#). In Handler mode, software execution is always privileged.

Only privileged software can write to the CONTROL register to change the privilege level for software execution in thread mode. Unprivileged software can use the SVC instruction to make a supervisor call to transfer control to privileged software.

#### 2.1.2 Stacks

The processor uses a full descending stack. This means that the stack pointer indicates the last stacked item on the stack memory. When the processor pushes a new item onto the stack, it decrements the stack pointer and then writes the item to the new memory location. The processor implements two stacks, the main stack and the process stack, with independent copies of the stack pointer, see [Stack pointer](#).

In thread mode, the CONTROL register controls whether the processor uses the main stack or the process stack, see [CONTROL register](#). In handler mode, the processor always uses the main stack. The options for processor operations are:

**Table 2. Summary of processor mode, execution privilege level, and stack use options**

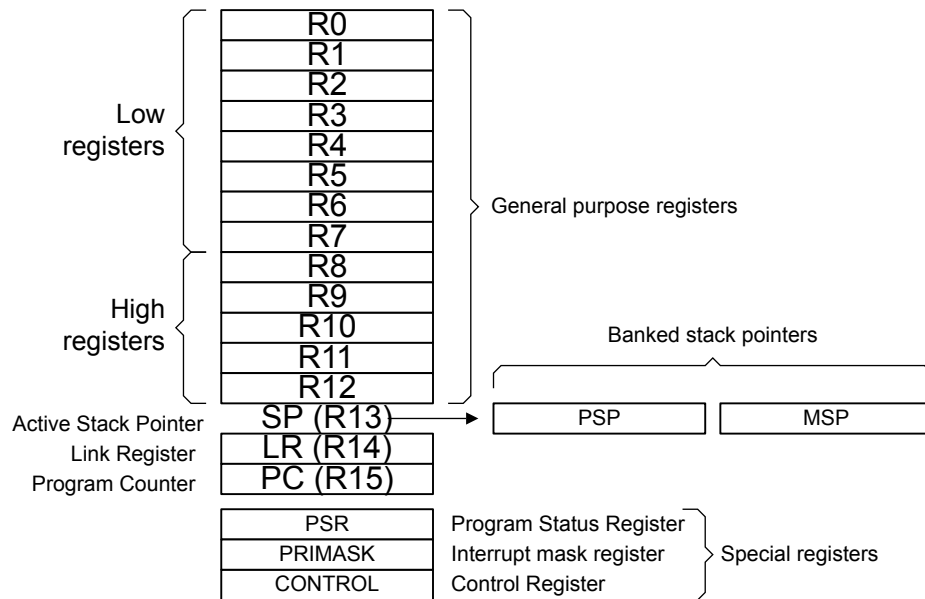
Processor mode	Used to execute	Privilege level for software execution	Stack used
Thread	Applications	Privileged or unprivileged <sup>(1)</sup>	Main stack or process stack <sup>(1)</sup>
Handler	Exception handlers	Always privileged	Main stack

1. See [CONTROL register](#)

#### 2.1.3 Core registers

The processor core registers are:

Figure 2. Processor core registers



DT33822V1

Table 3. Core register set summary

Name	Type <sup>(1)</sup>	Reset value	Description
R0-R12	RW	Unknown	General purpose registers.
MSP	RW	See description	Stack pointer.
PSP	RW	Unknown	Stack pointer
LR	RW	Unknown	Link register
PC	RW	See description	Program counter
PSR	RW	Unknown <sup>(2)</sup>	Program status register
APSR	RW	Unknown	Application program status register
IPSR	RO	0x00000000	Interrupt program status register
EPSR	RO	Unknown	Execution program status register
PRIMASK	RW	0x00000000	Priority mask register
CONTROL	RW	0x00000000	CONTROL register

1. Describes access type during program execution in thread mode and handler mode. Debug access can differ.  
 2. Bit[24] is the T-bit and is loaded from bit[0] of the reset vector.

### General purpose registers

R0-R12 are 32-bit general purpose registers for data operations.

### Stack pointer

The stack pointer (SP) is register R13. In thread mode, bit[1] of the CONTROL register indicates the stack pointer to use:

- 0 = Main Stack Pointer (MSP). This is the reset value.
- 1 = Process Stack Pointer (PSP).

On reset, the processor loads the MSP with the value from address 0x00000000.

**Link register**

The link register (LR) is register R14. It stores the return information for subroutines, function calls, and exceptions. On reset, the LR value is unknown.

**Program counter**

The program counter (PC) is register R15. It contains the current program address. On reset, the processor loads the PC with the value of the reset vector, which is at address 0x00000004. Bit[0] of the value is loaded into the EPSR T-bit at reset and must be 1.

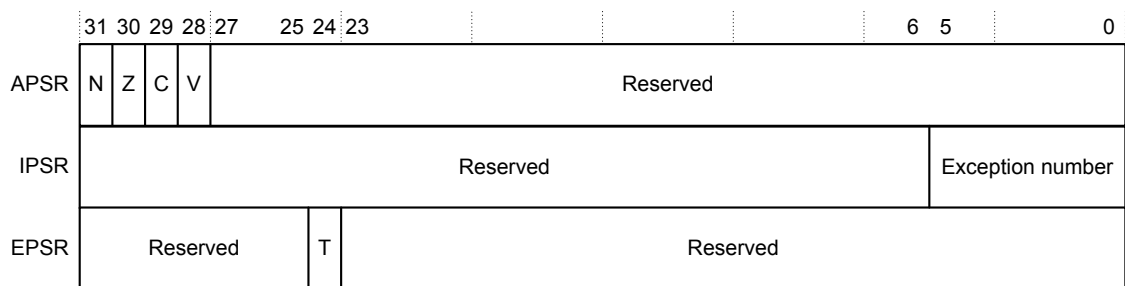
**Program status register**

The program status register (PSR) combines:

- Application program status register (APSR).
- Interrupt program status register (IPSR).
- Execution program status register (EPSR).

These registers are allocated as mutually exclusive bitfields within the 32-bit PSR. The PSR bit assignments are:

Figure 3. APSR, IPSR, and EPSR bit assignments



DT33823V1

Access these registers individually or as a combination of any two or all three registers, using the register name as an argument to the MSR or MRS instructions. For example:

- Read all of the registers using PSR with the MRS instruction.
- Write to the APSR using APSR with the MSR instruction.

The PSR combinations and attributes are:

Table 4. PSR register combinations

Register	Type	Combination
PSR	RW <sup>(1)(2)</sup>	APSR, EPSR, and IPSR.
IEPSR	RO	EPSR and IPSR.
IAPSR	RW <sup>(2)</sup>	APSR and IPSR.
EAPSR	RW <sup>(1)</sup>	APSR and EPSR.

1. Reads of the EPSR bits return zero, and the processor ignores writes to these bits.
2. The processor ignores writes to the IPSR bits.

See the instruction descriptions Section 3.7.6 MRS and Section 3.7.7 MSR for more information about how to access the program status registers.

### Application program status register

The APSR contains the current state of the condition flags, from previous instruction executions. See the register summary in [Table 3. Core register set summary](#) for its attributes. The bit assignments are:

**Table 5. APSR bit assignment**

Bits	Name	Description
[31]	N	Negative flag.
[30]	Z	Zero flag.
[29]	C	Carry or borrow flag.
[28]	V	Overflow flag.
[27:0]	-	Reserved.

See [Section 3.3.6 Conditional execution](#) for more information about the APSR negative, zero, carry or borrow, and overflow flags.

### Interrupt program status register

The IPSR contains the exception number of the current interrupt service routine (ISR). See the register summary in [Table 3. Core register set summary](#) for its attributes. The bit assignments are:

**Table 6. IPSR bit assignments**

Bits	Name	Function
[31:6]	-	Reserved
[5:0]	Exception number	<p>This is the number of the current exception:</p> <ul style="list-style-type: none"> <li>0 = Thread mode.</li> <li>1 = Reserved.</li> <li>2 = NMI.</li> <li>3 = HardFault.</li> <li>4-10 = Reserved.</li> <li>11 = SVCcall.</li> <li>12, 13 = Reserved.</li> <li>14 = PendSV.</li> <li>15 = SysTick   Reserved.</li> <li>16 = IRQ0.</li> <li>.</li> <li>.</li> <li>47 = IRQ31.</li> <li>48-63 = Reserved.</li> </ul> <p>see <a href="#">Section 2.3.2 Exception types</a> for more information.</p>

### Execution program status register

The EPSR contains the thumb state bit.

See the register summary in [Table 3. Core register set summary](#) for the EPSR attributes. The bit assignments are:



**Table 7. EPSR bit assignments**

Bits	Name	Function
[31:25]	-	Reserved.
[24]	T	Thumb state bit.
[23:0]	-	Reserved.

Attempts by application software to read the EPSR directly using the `MRS` instruction always return zero. Attempts to write the EPSR using the `MRS` instruction are ignored. Fault handlers can examine the EPSR value in the stacked PSR to determine the cause of the fault. See [Section 2.3.6 Exception entry and return](#). The following can clear the T bit to 0:

- Instructions `BLX`, `BX`, and `POP{PC}`.
- Restoration from the stacked xPSR value on an exception return.
- Bit[0] of the vector value on an exception entry.

Attempting to execute instructions when the T bit is 0 results in a HardFault or lockup. See [Section 2.4.1 Lockup](#) for more information.

#### Interruptible-restartable instructions

The interruptible-restartable instructions are `LDM` and `STM`, `PUSH`, `POP`, and `MULS`. When an interrupt occurs during the execution of one of these instructions, the processor abandons execution of the instruction. After servicing the interrupt, the processor restarts execution of the instruction from the beginning.

#### Exception mask register

The exception mask register disables the handling of exceptions by the processor. Disable exceptions where they might impact on timing critical tasks or code sequences requiring atomicity.

To disable or reenable exceptions, use the `MSR` and `MRS` instructions, or the `CPS` instruction, to change the value of `PRIMASK`. [Section 3.7.7 MSR](#) and [Section 3.7.2 CPS](#) for more information.

#### Priority mask register

The `PRIMASK` register prevents activation of all exceptions with configurable priority. See the register summary in [Table 3. Core register set summary](#) for its attributes. The bit assignments are:

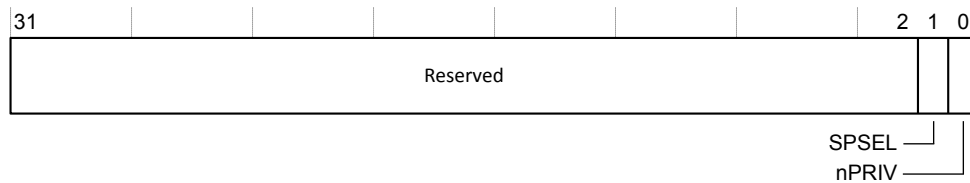
**Table 8. PRIMASK register bit assignments**

Bits	Name	Function
[31:1]	-	Reserved.
[0]	PM	Prioritizable interrupt mask: 0 = No effect. 1 = Prevents the activation of all exceptions with configurable priority.

#### CONTROL register

The `CONTROL` register controls the stack used, and the privilege level for software execution, when the processor is in thread mode. See the register summary in [Table 3. Core register set summary](#) for its attributes. The bit assignments are:

Figure 4. Control bit assignment



DT33824V1

Table 9. Control register bit assignments

Bits	Name	Function
[31:2]	-	Reserved.
[1]	SPSEL	Defines the current stack: 0 = MSP is the current stack pointer. 1 = PSP is the current stack pointer. In Handler mode this bit reads as zero and ignores writes.
[0]	nPRIV	Defines the thread mode privilege level: 0 = Privileged. 1 = Unprivileged.

Handler mode always uses the MSP, so the processor ignores explicit writes to the active stack pointer bit of the CONTROL register when in Handler mode. The exception entry and return mechanisms automatically update the CONTROL register.

In an OS environment, it is recommended that threads running in thread mode use the process stack and the kernel and exception handlers use the main stack.

By default, thread mode uses the MSP. To switch the stack pointer used in thread mode to the PSP, use the MSR instruction to set the active stack pointer bit to 1, [Section 3.7.6 MRS](#)

*Note:* When changing the stack pointer, software must use an ISB instruction immediately after the MSR instruction. This ensures that instructions after the ISB execute using the new stack pointer. See [Section 3.7.5 ISB](#).

### 2.1.4 Exceptions and interrupts

The Cortex<sup>®</sup>-M0+ processor supports interrupts and system exceptions. The processor and the nested vectored interrupt controller (NVIC) prioritize and handle all exceptions. An interrupt or exception changes the normal flow of software control. The processor uses handler mode to handle all exceptions except for reset. See [Exception entry](#) and [Exception return](#) for more information.

The NVIC registers control interrupt handling. See [Section 4.2 Nested vectored interrupt controller](#) for more information.

### 2.1.5 Data types

The processor:

- Supports the following data types:
  - 32-bit words.
  - 16-bit halfwords.
  - 8-bit bytes.
- Manages all data memory accesses as little-endian or big-endian. Instruction memory and private peripheral bus (PPB) accesses are always little-endian. See [Section 2.2.1 Memory regions, types, and attributes](#) for more information.

## 2.1.6 Cortex® microcontroller software interface standard

Arm® provides the Cortex® microcontroller software interface standard (CMSIS) for programming Cortex®-M0+ microcontrollers. The CMSIS is an integrated part of the device driver library. For a Cortex®-M0+ microcontroller system, CMSIS defines:

- A common way to:
  - Access peripheral registers.
  - Define exception vectors.
- The names of:
  - The registers of the core peripherals.
  - The core exception vectors.
- A device-independent interface for RTOS kernels.

The CMSIS includes address definitions and data structures for the core peripherals in the Cortex®-M0+ processor. It also includes optional interfaces for middleware components comprising a TCP/IP stack and a flash file system.

The CMSIS simplifies software development by enabling the reuse of template code, and the combination of CMSIS-compliant software components from various middleware vendors. Software vendors can expand the CMSIS to include their peripheral definitions and access functions for those peripherals.

This document includes the register names defined by the CMSIS, and gives short descriptions of the CMSIS functions that address the processor core and the core peripherals.

*Note:* *This document uses the register short names defined by the CMSIS. In a few cases, these differ from the architectural short names that might be used in other documents.*

The following sections give more information about the CMSIS:

- [Section 2.5.4 Power management programming hints](#)
- [Section 3.2 Intrinsic functions](#)
- [Section 4.2.1 Accessing the Cortex®-M0+ NVIC registers using CMSIS](#)
- [Section 4.2.8 NVIC usage hints and tips](#)

## 2.2 Memory model

This section describes the processor memory map and the behavior of memory accesses. The processor has a fixed memory map that provides up to 4GB of addressable memory. The memory map is:

Figure 5. Memory map

Device	511MB	0xFFFFFFFF
Private peripheral bus	1MB	0xE0100000 0xE00FFFFF 0xE0000000 0xDFFFFFFF
External device	1.0GB	
External RAM	1.0GB	0xA0000000 0x9FFFFFFF
Peripheral	0.5GB	0x60000000 0x5FFFFFFF
SRAM	0.5GB	0x40000000 0x3FFFFFFF
Code	0.5GB	0x20000000 0x1FFFFFFF
		0x00000000

DT33825V1

The processor reserves regions of the private peripheral bus (PPB) address range for core peripheral registers, see [Section 1.3 About the Cortex® M0+ processor and core peripherals](#).

### 2.2.1 Memory regions, types, and attributes

The memory map and the programming of the MPU splits into regions. Each region has a defined memory type, and some regions have additional memory attributes. The memory type and attributes determine the behavior of accesses to the region.

The memory types are:

- Normal            The processor can re-order transactions for efficiency, or perform speculative reads.
- Device            The processor preserves transaction order relative to other transactions to Device or Strongly-ordered memory.
- Strongly-ordered    The processor preserves transaction order relative to all other transactions.

The different ordering requirements for device and Strongly ordered memory mean that the memory system can buffer a write to device memory, but must not buffer a write to Strongly ordered memory.

The additional memory attributes include.

For a shareable memory region, the memory system provides data synchronization between bus masters in a system with multiple bus masters, for example, a processor with a DMA controller.

Strongly-ordered memory is always shareable.

**Shareable** If multiple bus masters can access a non-shareable memory region, software must ensure data coherency between the bus masters.

<This description is required only if the device is likely to be used in systems where memory is shared between multiple processors.>

**Execute Never (XN)** Means the processor prevents instruction accesses. A HardFault exception is generated on executing an instruction fetched from an XN region of memory.

## 2.2.2 Memory system ordering of memory accesses

For most memory accesses caused by explicit memory access instructions, the memory system does not guarantee that the order in which the accesses complete matches the program order of the instructions, provided that any reordering does not affect the behavior of the instruction sequence. Normally, if correct program execution depends on two memory accesses completing in program order, software must insert a memory barrier instruction between the memory access instructions, see [Section 2.2.2 Memory system ordering of memory accesses](#).

However, the memory system does guarantee some ordering of accesses to device and strongly ordered memory. For two memory access instructions A1 and A2, if A1 occurs before A2 in program order, the ordering of the memory accesses caused by the two instructions is:

**Figure 6. Ordering of memory accesses**

A1 \ A2	Normal access	Device access		Strongly-ordered access
		Non-shareable	Shareable	
Normal access	-	-	-	-
Device access, non-shareable	-	<	-	<
Device access, shareable	-	-	<	<
Strongly-ordered access	-	<	<	<

DT33826V1

- means that the memory system does not guarantee the ordering of the accesses.
- < means that accesses are observed in program order, that is A1 is always observed before A2.

## 2.2.3 Behavior of memory accesses

The behavior of accesses to each region in the memory map is:

**Table 10. Memory access behavior**

Address range	Memory region	Memory type	XN	Description
0x00000000–0x1FFFFFFF	Code	Normal	-	Executable region for program code. The user can also put data here.
0x20000000–0x3FFFFFFF	SRAM	Normal	-	Executable region for data. The user can also put code here.
0x40000000–0x5FFFFFFF	Peripheral	Device	XN	External device memory.
0x60000000–0x9FFFFFFF	External RAM	Normal	-	Executable region for data.

Address range	Memory region	Memory type	XN	Description
0xA0000000–0xDFFFFFFF	External device	Device	XN	External device memory.
0xE0000000–0xE0FFFFFF	Private Peripheral Bus	Strongly-ordered	XN	This region includes the NVIC, System timer, and System Control Block. Only word accesses can be used in this region.

For further information, see [Section 2.2.1 Memory regions, types, and attributes](#)

The code, SRAM, and external RAM regions can hold programs.

The MPU can override the default memory access behavior described in this section. For more information, see [Section 4.5 Memory protection unit](#).

## 2.2.4 Additional memory access constraints for caches and shared memory

When a system includes caches or shared memory, some memory regions have additional access constraints, and some regions are subdivided, as [Table 11. Memory region shareability and cache policies](#) shows:

**Table 11. Memory region shareability and cache policies**

Address range	Memory region	Memory type	Shareability	Cache policy
0x00000000– 0x1FFFFFFF	Code	Normal	-	WT
0x20000000– 0x3FFFFFFF	SRAM	Normal	-	WBWA
0x40000000– 0x5FFFFFFF	Peripheral	Device	-	-
0x60000000– 0x7FFFFFFF	External RAM	Normal	-	WBWA
0x80000000– 0x9FFFFFFF				WT
0xA0000000– 0xBFFFFFFF	External device	Device	Shareable	-
0xC0000000– 0xDFFFFFFF			Non-shareable	
0xE0000000– 0xE0FFFFFF	Private Peripheral Bus	Strongly- ordered	Shareable	-
0xE0100000– 0xFFFFFFFF	Device	Device	-	-

*Note:*

For further information on memory types and shareability, see [Section 2.2.1 Memory regions, types, and attributes](#).

Cache policy: T = Write through, no write allocate. WBWA = Write back, write allocate.

## 2.2.5 Software ordering of memory accesses

The order of instructions in the program flow does not always guarantee the order of the corresponding memory transactions. This is because:

- The processor can reorder some memory accesses to improve efficiency, providing this does not affect the behavior of the instruction sequence.
- Memory or devices in the memory map might have different wait states.
- Some memory accesses are buffered or speculative.

[Section 2.2.2 Memory system ordering of memory accesses](#) describes the cases where the memory system guarantees the order of memory accesses. Otherwise, if the order of memory accesses is critical, software must include memory barrier instructions to force that ordering. The processor provides the following memory barrier instructions:

**DMB** The Data Memory Barrier (DMB) instruction ensures that outstanding memory transactions complete before subsequent memory transactions. See [Section 3.7.3 DMB](#).

**DSB** The Data Synchronization Barrier (DSB) instruction ensures that outstanding memory transactions complete before subsequent instructions execute. See [Section 3.7.4 DSB](#).

ISB The Instruction Synchronization Barrier (ISB) ensures that the effect of all completed memory transactions is recognizable by subsequent instructions. See [Section 3.7.5 ISB](#).

The following are examples of using memory barrier instructions:

Vector table	If the program changes an entry in the vector table, and then enables the corresponding exception, use a DMB instruction between the operations. This ensures that if the exception is taken immediately after being enabled the processor uses the new exception vector.
Self-modifying code	If a program contains self-modifying code, use an ISB instruction immediately after the code modification in the program. This ensures subsequent instruction execution uses the updated program.
Memory map switching	If the system contains a memory map switching mechanism, use a DSB instruction after switching the memory map. This ensures subsequent instruction execution uses the updated memory map
MPU programming	Use a DSB followed by an ISB instruction or exception return to ensure that the new MPU configuration is used by subsequent instructions.
VTOR programming	If the program updates the value of the VTOR, use a DMB instruction to ensure that the new vector table is used for subsequent exceptions.

Memory accesses to strongly ordered memory, such as the system control block, do not require the use of DMB instructions.

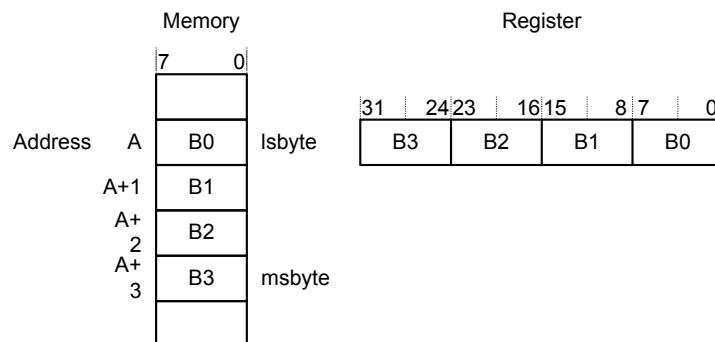
### 2.2.6 Memory endianness

The processor views memory as a linear collection of bytes numbered in ascending order from zero. For example, bytes 0-3 hold the first stored word, and bytes 4-7 hold the second stored word. Little-endian format describes how words of data are stored in memory.

#### Little-endian format

In little-endian format, the processor stores the least significant byte (lsbyte) of a word at the lowest-numbered byte, and the most significant byte (msbyte) at the highest-numbered byte. For example:

Figure 7. Little-endian format example



DT33827V1

## 2.3 Exception model

This section describes the exception model.

### 2.3.1 Exception states

Each exception is in one of the following states:

Inactive	The exception is not active and not pending.
Pending	The exception is waiting to be serviced by the processor.

	An interrupt request from a peripheral or from software can change the state of the corresponding interrupt to pending.
	An exception that is being serviced by the processor but has not completed.
Active	An exception handler can interrupt the execution of another exception handler. In this case both exceptions are in the active state.
Active and pending	The exception is being serviced by the processor and there is a pending exception from the same source.

### 2.3.2 Exception types

The exception types are:

Reset	Reset is invoked on power-up or a warm reset. The exception model treats reset as a special form of exception. When reset is asserted, the operation of the processor stops, potentially at any point in an instruction. When reset is deasserted, execution restarts from the address provided by the reset entry in the vector table. Execution restarts as privileged execution in thread mode.
NMI	A Non-Maskable Interrupt (NMI) can be signaled by a peripheral or triggered by software. This is the highest priority exception other than reset. It is permanently enabled and has a fixed priority of -2. NMIs cannot be: <ul style="list-style-type: none"> <li>Masked or prevented from activation by any other exception.</li> <li>Preempted by any exception other than Reset.</li> </ul>
HardFault	A HardFault is an exception that occurs because of an error during normal or exception processing. HardFaults have a fixed priority of -1, meaning they have higher priority than any exception with configurable priority.
SVCall	A Supervisor Call (SVC) is an exception that is triggered by the SVC instruction. In an OS environment, applications can use SVC instructions to access OS kernel functions and device drivers.
PendSV	PendSV is an interrupt-driven request for system-level service. In an OS environment, use PendSV for context switching when no other exception is active.
SysTick	A SysTick exception is an exception that the system timer generates when it reaches zero. Software can also generate a SysTick exception. In an OS environment, the processor can use this exception as system tick.
Interrupt (IRQ)	An interrupt, or IRQ, is an exception signaled by a peripheral, or generated by a software request. All interrupts are asynchronous to instruction execution. In the system, peripherals use interrupts to communicate with the processor.

**Table 12. Properties of the different exception types**

Exception number <sup>(1)</sup>	IRQ number <sup>(1)</sup>	Exception type	Priority	Vector address <sup>(2)</sup>	Activation
1	-	Reset	-3, the highest	0x00000004	Asynchronous
2	-14	NMI	-2	0x00000008	Asynchronous
3	-13	HardFault	-1	0x0000000C	Synchronous
4-10	-	Reserved	-	-	-
11	-5	SVCall	Configurable. See <a href="#">Section 4.2.6 Interrupt priority registers</a> .	0x0000002C	Synchronous
12-13	-	Reserved	-	-	-
14	-2	PendSV	Configurable. See <a href="#">Section 4.2.6 Interrupt priority registers</a>	0x00000038	Asynchronous
15	-1	SysTick	Configurable. See <a href="#">Section 4.2.6 Interrupt priority registers</a>	0x0000003C	Asynchronous
15	-	Reserved	-	-	-
16 and above	0 and above	Interrupt (IRQ)	Configurable. See <a href="#">Section 4.2.6 Interrupt priority registers</a>	0x00000040 and above. Increasing in steps of 4.	Asynchronous



1. To simplify the software layer, the CMSIS only uses IRQ numbers. It uses negative values for exceptions other than interrupts. The IPSR returns the Exception number. See [Interrupt program status register](#)
2. See [Figure 8. Vector table](#) for more information.

For an asynchronous exception, other than reset, the processor can execute additional instructions between when the exception is triggered and when the processor enters the exception handler.

Privileged software can disable the exceptions that [Table 12. Properties of the different exception types](#) shows as having configurable priority, see [Section 4.2.3 Interrupt clear-enable register](#).

For more information about HardFaults, see [Section 2.4 Fault handling](#)

### 2.3.3 Exception handlers

The processor handles exceptions using:

Interrupt Service Routines (ISRs)	Interrupts IRQ0 to IRQ31 are the exceptions handled by ISRs
Fault handler	HardFault is the only exception handled by the fault handler.
System handlers	NMI, PendSV, SVCall SysTick, and HardFault are all system exceptions handled by system handlers.

### 2.3.4 Vector table

The vector table contains the reset value of the stack pointer, and the start addresses, also called exception vectors, for all exception handlers. [Figure 8. Vector table](#) shows the order of the exception vectors in the vector table. The least-significant bit of each vector must be 1, indicating that the exception handler is written in thumb code.

Figure 8. Vector table

Exception number	IRQ number	Vector	Offset
47	31	IRQ31	0xBC
.		.	.
.		.	.
.		.	.
18	2	IRQ2	0x48
17	1	IRQ1	0x44
16	0	IRQ0	0x40
15	-1	SysTick	0x3C
14	-2	PendSV	0x38
13		Reserved	
12			
11	-5	SVCall	0x2C
10			
9			
8			
7		Reserved	
6			
5			
4			
3	-13	HardFault	0x10
2	-14	NMI	0x0C
		Reset	0x08
1		Initial SP value	0x04
			0x00

DT33828V1

On system reset, the vector table is fixed at address 0x00000000. Privileged software can write to the VTOR to relocate the vector table start address to a different memory location with the respect to vector table size and granularity of TBLOFF settings (see Section 4.3.4 Vector table offset register).

### 2.3.5 Exception priorities

As Table 12. Properties of the different exception types shows, all exceptions have an associated priority, with:

- A lower priority value indicating a higher priority.
- Configurable priorities for all exceptions except reset, HardFault, and NMI.

If software does not configure any priorities, then all exceptions with a configurable priority have a priority of 0. For information about configuring exception priorities see:

- Section 4.3.8 System handler priority registers
- Section 4.2.6 Interrupt priority registers

**Note:** Configurable priority values are in the range 0-192, in steps of 64. The reset, HardFault, and NMI exceptions, with fixed negative priority values, always have higher priority than any other exception.

Assigning a higher priority value to IRQ[0] and a lower priority value to IRQ[1] means that IRQ[1] has higher priority than IRQ[0]. If both IRQ[1] and IRQ[0] are asserted, IRQ[1] is processed before IRQ[0].



Immediately after stacking, the stack pointer indicates the lowest address in the stack frame. The stack frame is aligned to a double-word address.

The stack frame includes the return address. This is the address of the next instruction in the interrupted program. This value is restored to the PC at exception return so that the interrupted program resumes.

The processor performs a vector fetch that reads the exception handler start address from the vector table. When stacking is complete, the processor starts executing the exception handler. At the same time, the processor writes an EXC\_RETURN value to the LR. This indicates which stack pointer corresponds to the stack frame and what operation mode the processor was in before the entry occurred.

If no higher priority exception occurs during exception entry, the processor starts executing the exception handler, and automatically changes the status of the corresponding pending interrupt to active.

If another higher priority exception occurs during exception entry, the processor starts executing the exception handler for this exception, and does not change the pending status of the earlier exception. This is the late arrival case.

### Exception return

Exception return occurs when the processor is in handler mode and execution of one of the following instructions attempts to set the PC to an EXC\_RETURN value:

- A POP instruction that loads the PC.
- B PBX instruction using any register.

The processor saves an EXC\_RETURN value to the LR on exception entry. The exception mechanism relies on this value to detect when the processor has completed an exception handler. Bits[31:4] of an EXC\_RETURN value are 0xFFFFFFFF. When the processor loads a value matching this pattern to the PC it detects that the operation is a not a normal branch operation and, instead that the exception is complete. As a result, it starts the exception return sequence. Bits[3:0] of the EXC\_RETURN value indicate the required return stack and processor mode, as [Table 13. Exception return behavior](#) shows.

**Table 13. Exception return behavior**

EXC_RETURN	Description
0xFFFFFFFF1	Return to Handler mode. Exception return gets state from the main stack. Execution uses MSP after return.
0xFFFFFFFF9	Return to thread mode. Exception return gets state from MSP. Execution uses MSP after return.
0xFFFFFFFDD	Return to thread mode. Exception return gets state from PSP. Execution uses PSP after return.
All other values	Reserved.

## 2.4 Fault handling

Faults are a subset of exceptions. See [Section 2.3 Exception model](#). All faults result in the HardFault exception being taken or cause Lockup if they occur in the NMI or HardFault handler. The faults are:

- Execution of an SVC instruction at a priority equal or higher than SVCall.
- Execution of a BKPT instruction without a debugger attached.
- A system-generated bus error on a load or store.
- Execution of an instruction from an XN memory address.
- Execution of an instruction from a location for which the system generates a bus fault.
- A system-generated bus error on a vector fetch.
- Execution of an Undefined instruction.
- Execution of an instruction when not in Thumb state as a result of the T-bit being previously cleared to 0.

- An attempted load or store to an unaligned address.
- An MPU fault because of a privilege violation or an attempt to access an unmanaged region.

*Note:* Only Reset and NMI can preempt the fixed priority HardFault handler. A HardFault can preempt any exception other than Reset, NMI, or another HardFault.

### 2.4.1 Lockup

The processor enters a Lockup state if a fault occurs when executing the NMI or HardFault handlers, or if the system generates a bus error when unstacking the PSR on an exception return using the MSP. When the processor is in lockup state, it does not execute any instructions. The processor remains in lockup state until one of the following occurs:

- It is reset.
- A debugger halts it.
- An NMI occurs and the current lockup is in the HardFault handler.

*Note:* If lockup state occurs in the NMI handler a subsequent NMI does not cause the processor to leave lockup state.

## 2.5 Power management

The Cortex<sup>®</sup>-M0+ processor sleep modes reduce power consumption:

- A sleep mode that stops the processor clock.
- A deep sleep mode that enters ultra low-power modes.

The SLEEPDEEP bit of the SCR selects which sleep mode is used, see [Section 4.3.6 System control register \(SCR\)](#). When entering the deep sleep mode, the PDSS bit in the PWR\_CR register selects entry in Stop or Standby mode. See the reference manual chapter "low-power modes" for details.

This section describes the mechanisms for entering sleep mode, and the conditions for waking up from sleep mode.

### 2.5.1 Entering sleep mode

This section describes the mechanisms software can use to put the processor into sleep mode.

The system can generate spurious wake-up events. For example, a debug operation wakes up the processor. For this reason, software must be able to put the processor back into sleep mode after such an event. A program might have an idle loop to put the processor back in to sleep mode.

#### Wait for interrupt

The Wait For Interrupt instruction, `WFI`, causes immediate entry to sleep mode. When the processor executes a `WFI` instruction, it stops executing instructions and enters sleep mode. For further information, see [Section 3.7.12 WFI](#).

#### Wait for event

The Wait For Event instruction, `WFE`, causes entry to sleep mode conditional on the value of a one-bit event register. When the processor executes a `WFE` instruction, it checks the value of the event register:

- 0 The processor stops executing instructions and enters sleep mode.
- 1 The processor sets the register to zero and continues executing instructions without entering sleep mode.

See [Section 3.7.11 WFE](#) for more information.

If the event register is 1, this indicates that the processor must not enter sleep mode on execution of a `WFE` instruction. Typically, this is because of the assertion of an external event, or because another processor in the system has executed a `SEV` instruction, see [Section 3.7.9 SEV](#). Software cannot access this register directly.

#### Sleep-on-exit

If the SLEEPONEXIT bit of the SCR is set to 1, when the processor completes the execution of an exception handler and returns to thread mode it immediately enters sleep mode. Use this mechanism in applications that only require the processor to run when an interrupt occurs.

## 2.5.2 Wake-up from sleep mode

The conditions for the processor to wake up depend on the mechanism that caused it to enter sleep mode.

### Wake-up from WFI or sleep-on-exit

Normally, the processor wakes up only when it detects an exception with sufficient priority to cause exception entry.

Some embedded systems might have to execute system restore tasks after the processor wakes up, and before it executes an interrupt handler. To achieve this set the PRIMASK.PM bit to 1. If an interrupt arrives that is enabled and has a higher priority than current exception priority, the processor wakes up but does not execute the interrupt handler until the processor sets PRIMASK.PM to zero. For more information about PRIMASK, see [Exception mask register](#).

### Wake-up from WFE

The processor wakes up if:

- It detects an exception with sufficient priority to cause exception entry.
- It detects an external event signal. See [Section 2.5.3 The external event input](#).
- In a multiprocessor system, another processor in the system executes a `SEV` instruction.

In addition, if the SEVONPEND bit in the SCR is set to 1, any new pending interrupt triggers an event and wakes up the processor, even if the interrupt is disabled or has insufficient priority to cause exception entry. For more information about the SCR. See [Section 4.3.6 System control register \(SCR\)](#).

## 2.5.3 The external event input

The processor provides an external event input signal. This signal can be generated by peripherals. Tie this signal LOW if it is not used.

This signal can wake up the processor from WFE, or set the internal WFE event register to one to indicate that the processor must not enter sleep mode on a later `WFE` instruction, see [Wait for event](#).

## 2.5.4 Power management programming hints

ISO/IEC C cannot directly generate the WFI, WFE, and SEV instructions. The CMSIS provides the following intrinsic functions for these instructions:

```
void __WFE(void) // Wait for Event
```

```
void __WFI(void) // Wait for Interrupt
```

```
void __SEV(void) // Send Event
```

## 3 Cortex®-M0+ instruction set

### 3.1 Instruction set summary

The processor implements a version of the thumb instruction set. Table 14. Cortex®-M0+ instructions lists the supported instructions.

In Table 14. Cortex®-M0+ instructions

- Angle brackets, <>, enclose alternative forms of the operand.
- Braces, {}, enclose optional operands and mnemonic parts.
- The operands column is not exhaustive.

For more information on the instructions and operands, see the instruction descriptions.

**Table 14. Cortex®-M0+ instructions**

Mnemonic	Operands	Brief description	Flags	Section
ADCS	{Rd,} Rn, Rm	Add with carry	N,Z,C,V	Section 3.5.1 ADC, ADD, RSB, SBC, and SUB.
ADD{S}	{Rd,} Rn, <Rm #imm>	Add	N,Z,C,V	Section 3.5.1 ADC, ADD, RSB, SBC, and SUB.
ADR	Rd, label	PC-relative address to register	-	Section 3.4.1 ADR.
ANDS	{Rd,} Rn, Rm	Bitwise AND	N,Z	Section 3.5.2 AND, ORR, EOR, and BIC.
ASRS	{Rd,} Rm, <Rs #imm>	Arithmetic shift right	N,Z,C	Section 3.5.3 ASR, LSL, LSR, and ROR.
B{cc}	label	Branch {conditionally}	-	Section 3.6.1 B, BL, BX, and BLX.
BICS	{Rd,} Rn, Rm	Bit clear	N,Z	Section 3.5.2 AND, ORR, EOR, and BIC.
BKPT	#imm	Breakpoint	-	Section 3.7.1 BKPT.
BL	label	Branch with link	-	Section 3.6.1 B, BL, BX, and BLX.
BLX	Rm	Branch indirect with link	-	Section 3.6.1 B, BL, BX, and BLX.
BX	Rm	Branch indirect	-	Section 3.6.1 B, BL, BX, and BLX.
CMN	Rn, Rm	Compare negative	N,Z,C,V	Section 3.5.4 CMP and CMN.
CMP	Rn, <Rm #imm>	Compare	N,Z,C,V	Section 3.5.4 CMP and CMN.
CPSID	i	Change processor state, disable interrupts	-	Section 3.7.2 CPS.
CPSIE	i	Change processor state, enable interrupts	-	Section 3.7.2 CPS.
DMB	-	Data memory barrier	-	Section 3.7.3 DMB.
DSB	-	Data synchronization barrier	-	Section 3.7.4 DSB.
EORS	{Rd,} Rn, Rm	Exclusive OR	N,Z	Section 3.5.2 AND, ORR, EOR, and BIC.
ISB	-	Instruction synchronization barrier	-	Section 3.7.5 ISB.
LDM	Rn{!}, reglist	Load multiple registers, increment after	-	Section 3.4.5 LDM and STM.
LDR	Rt, label	Load register from PC-relative address	-	Section 3.4.2 LDR and STR, immediate offset.
LDR	Rt, [Rn, <Rm #imm>]	Load register with word	-	Section 3.4.2 LDR and STR, immediate offset.
LDRB	Rt, [Rn, <Rm #imm>]	Load register with byte	-	Section 3.4.2 LDR and STR, immediate offset.
LDRH	Rt, [Rn, <Rm #imm>]	Load register with halfword	-	Section 3.4.2 LDR and STR, immediate offset.
LDRSB	Rt, [Rn, <Rm #imm>]	Load register with signed byte	-	Section 3.4.2 LDR and STR, immediate offset.
LDRSH	Rt, [Rn, <Rm #imm>]	Load register with signed halfword	-	Section 3.4.2 LDR and STR, immediate offset.
LSLS	{Rd,} Rn, <Rs #imm>	Logical shift left	N,Z,C	Section 3.5.3 ASR, LSL, LSR, and ROR.
LSRS	{Rd,} Rn, <Rs #imm>	Logical shift right	N,Z,C	Section 3.5.3 ASR, LSL, LSR, and ROR.
MOV{S}	Rd, Rm	Move	N,Z	Section 3.5.5 MOV and MVN.

Mnemonic	Operands	Brief description	Flags	Section
MRS	<i>Rd, spec_reg</i>	Move to general register from special register	-	Section 3.7.6 MRS.
MSR	<i>spec_reg, Rm</i>	Move to special register from general register	N,Z,C,V	Section 3.7.7 MSR.
MULS	<i>Rd, Rn, Rm</i>	Multiply, 32-bit result	N,Z	Section 3.5.6 MULS.
MVNS	<i>Rd, Rm</i>	Bitwise NOT	N,Z	Section 3.5.5 MOV and MVN.
NOP	-	No operation	-	Section 3.7.8 NOP.
ORRS	<i>{Rd,} Rn, Rm</i>	Logical OR	N,Z	Section 3.5.2 AND, ORR, EOR, and BIC.
POP	<i>reglist</i>	Pop registers from stack	-	Section 3.4.6 PUSH and POP.
PUSH	<i>reglist</i>	Push registers onto stack	-	Section 3.4.6 PUSH and POP.
REV	<i>Rd, Rm</i>	Byte-reverse word	-	Section 3.5.7 REV, REV16, and REVSH.
REV16	<i>Rd, Rm</i>	Byte-reverse packed halfwords	-	Section 3.5.7 REV, REV16, and REVSH.
REVSH	<i>Rd, Rm</i>	Byte-reverse signed halfword	-	Section 3.5.7 REV, REV16, and REVSH.
RORS	<i>{Rd,} Rn, Rs</i>	Rotate right	N,Z,C	Section 3.5.3 ASR, LSL, LSR, and ROR.
RSBS	<i>{Rd,} Rn, #0</i>	Reverse subtract	N,Z,C,V	Section 3.5.1 ADC, ADD, RSB, SBC, and SUB.
SBCS	<i>{Rd,} Rn, Rm</i>	Subtract with carry	N,Z,C,V	Section 3.5.1 ADC, ADD, RSB, SBC, and SUB.
SEV	-	Send event	-	Section 3.7.9 SEV.
STM	<i>Rn!, reglist</i>	Store multiple registers, increment after	-	Section 3.4.5 LDM and STM.
STR	<i>Rt, [Rn, &lt;Rm&gt;#imm]</i>	Store register as word	-	Section 3.4.2 LDR and STR, immediate offset.
STRB	<i>Rt, [Rn, &lt;Rm&gt;#imm]</i>	Store register as byte	-	Section 3.4.2 LDR and STR, immediate offset.
STRH	<i>Rt, [Rn, &lt;Rm&gt;#imm]</i>	Store register as halfword	-	Section 3.4.2 LDR and STR, immediate offset.
SUB{S}	<i>{Rd,} Rn, &lt;Rm&gt;#imm</i>	Subtract	N,Z,C,V	Section 3.5.1 ADC, ADD, RSB, SBC, and SUB.
SVC	<i>#imm</i>	Supervisor call	-	Section 3.7.10 SVC.
SXTB	<i>Rd, Rm</i>	Sign extend byte	-	Section 3.5.8 SXT and UXT.
SXTH	<i>Rd, Rm</i>	Sign extend halfword	-	Section 3.5.8 SXT and UXT.
TST	<i>Rn, Rm</i>	Logical AND based test	N,Z	Section 3.5.9 TST.
UXTB	<i>Rd, Rm</i>	Zero extend a byte	-	Section 3.5.8 SXT and UXT.
UXTH	<i>Rd, Rm</i>	Zero extend a halfword	-	Section 3.5.8 SXT and UXT.
WFE	-	Wait for event	-	Section 3.7.11 WFE.
WFI	-	Wait for interrupt	-	Section 3.7.12 WFI.

## 3.2 Intrinsic functions

ISO/IEC C code cannot directly access some Cortex<sup>®</sup>-M0+ instructions. This section describes intrinsic functions that can generate these instructions, provided by the CMSIS and that might be provided by a C compiler. If a C compiler does not support an appropriate intrinsic function, the user might have to use the inline assembler to access the relevant instruction.

The CMSIS provides the following intrinsic functions to generate instructions that ISO/IEC C code cannot directly access:

**Table 15. CMSIS intrinsic functions to generate some Cortex<sup>®</sup>-M0+ instructions**

Instruction	CMSIS intrinsic function
CPSIE <i>i</i>	<code>void __enable_irq(void)</code>
CPSID <i>i</i>	<code>void __disable_irq(void)</code>
ISB	<code>void __ISB(void)</code>



DSB	void __DSB(void)
DMB	void __DMB(void)
NOP	void __NOP(void)
REV	uint32_t __REV(uint32_t int value)
REV16	uint32_t __REV16(uint32_t int value)
REVSH	uint32_t __REVSH(uint32_t int value)
SEV	void __SEV(void)
WFE	void __WFE(void)
WFI	void __WFI(void)

The CMSIS also provides a number of functions for accessing the special registers using MRS and MSR instructions.

:

**Table 16. CMSIS intrinsic functions to access the special registers**

Special register	Access	CMSIS function
PRIMASK	Read	uint32_t __get_PRIMASK (void)
	Write	void __set_PRIMASK (uint32_t value)
CONTROL	Read	uint32_t __get_CONTROL (void)
	Write	void __set_CONTROL (uint32_t value)
MSP	Read	uint32_t __get_MSP (void)
	Write	void __set_MSP (uint32_t TopOfMainStack)
PSP	Read	uint32_t __get_PSP (void)
	Write	void __set_PSP (uint32_t TopOfProcStack)

### 3.3 About the instruction descriptions

The following sections give more information about using the instructions:

- [Section 3.3.1 Operands.](#)
- [Section 3.3.2 Restrictions when using PC or SP.](#)
- [Section 3.3.3 Shift operations.](#)
- [Section 3.3.4 Address alignment.](#)
- [Section 3.3.5 PCrelative expressions.](#)
- [Section 3.3.6 Conditional execution.](#)

#### 3.3.1 Operands

An instruction operand can be an Arm® register, a constant, or another instruction-specific parameter. Instructions act on the operands and often store the result in a destination register. When there is a destination register in the instruction, it is usually specified before the other operands.

#### 3.3.2 Restrictions when using PC or SP

Many instructions are unable to use, or have restrictions on whether the user can use, the program counter (PC) or stack pointer (SP) for the operands or destination register. See instruction descriptions for more information.

*Note:* When the user update the PC with a BX, BLX, or POP instruction, the bit[0] of any address must be 1 for correct execution. This is because this bit indicates the destination instruction set, and the Cortex-M0+ processor only supports thumb instructions. When a BL or BLX instruction writes the value of bit[0] into the LR it is automatically assigned the value 1.

### 3.3.3 Shift operations

Register shift operations move the bits in a register left or right by a specified number of bits, the shift length. Register shift can be performed directly by the instructions `ASR`, `LSR`, `LSL`, and `ROR` and the result is written to a destination register.

The permitted shift lengths depend on the shift type and the instruction, see the individual instruction description. If the shift length is 0, no shift occurs. Register shift operations update the carry flag except when the specified shift length is 0. The following subsections describe the various shift operations and how they affect the carry flag. In these descriptions,  $R_m$  is the register containing the value to be shifted, and  $n$  is the shift length.

#### ASR

Arithmetic shift right by  $n$  bits moves the left-hand  $32-n$  bits of the register  $R_m$ , to the right by  $n$  places, into the right-hand  $32-n$  bits of the result, and it copies the original bit[31] of the register into the left-hand  $n$  bits of the result. See [Figure 10. ASR#3](#).

The user can use the `ASR` operation to divide the signed value in the register  $R_m$  by  $2^n$ , with the result being rounded towards negative-infinity.

When the instruction is `ASRS` the carry flag is updated to the last bit shifted out, bit[ $n-1$ ], of the register  $R_m$ .

*Note:* If  $n$  is 32 or more, then all the bits in the result are cleared to 0.  
If  $n$  is 33 or more and the carry flag is updated, it is updated to 0.

**Figure 10. ASR#3**



DT33830V1

#### LSR

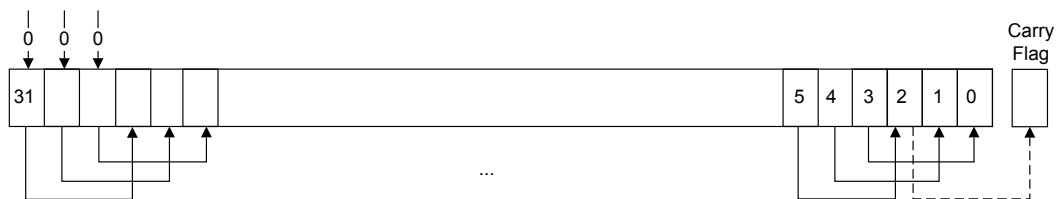
Logical shift right by  $n$  bits moves the left-hand  $32-n$  bits of the register  $R_m$ , to the right by  $n$  places, into the right-hand  $32-n$  bits of the result, and it sets the left-hand  $n$  bits of the result to 0. See [Figure 11. LSR#3](#).

The user can use the `LSR` operation to divide the value in the register  $R_m$  by  $2^n$ , if the value is regarded as an unsigned integer.

When the instruction is `LSRS`, the carry flag is updated to the last bit shifted out, bit[ $n-1$ ], of the register  $R_m$ .

*Note:* If  $n$  is 32 or more, then all the bits in the result are cleared to 0.  
If  $n$  is 33 or more and the carry flag is updated, it is updated to 0.

**Figure 11. LSR#3**



DT33831V1

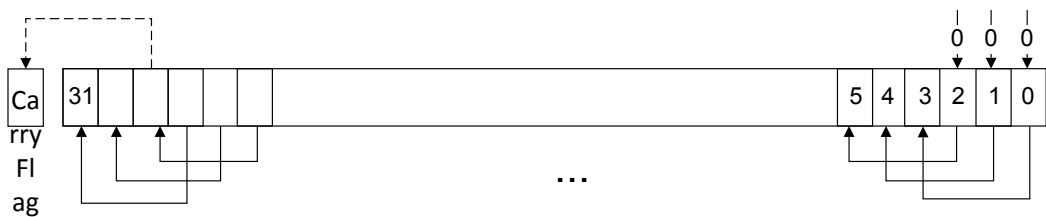
#### LSL

Logical shift left by  $n$  bits moves the right-hand  $32-n$  bits of the register  $Rm$ , to the left by  $n$  places, into the left-hand  $32-n$  bits of the result, and it sets the righthand  $n$  bits of the result to 0. See Section 3.3.3 Shift operations.

The user can use the LSL operation to multiply the value in the register  $Rm$  by  $2^n$ , if the value is regarded as an unsigned integer or a two's complement signed integer. Overflow can occur without warning.

When the instruction is LSLS the carry flag is updated to the last bit shifted out, bit[32- $n$ ], of the register  $Rm$ . These instructions do not affect the carry flag when used with LSL#0.

**Note:** *If  $n$  is 32 or more, then all the bits in the result are cleared to 0.  
If  $n$  is 33 or more and the carry flag is updated, it is updated to 0.*

**Figure 12. LSL #3**


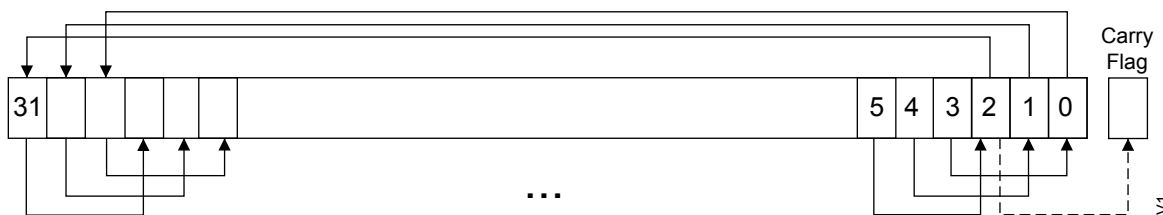
DT33832V1

**ROR**

Rotate right by  $n$  bits moves the left-hand  $32-n$  bits of the register  $Rm$ , to the right by  $n$  places, into the right-hand  $32-n$  bits of the result, and it moves the righthand  $n$  bits of the register into the lefthand  $n$  bits of the result. See Figure 12. LSL #3.

When the instruction is RORS the carry flag is updated to the last bit rotation, bit[ $n-1$ ], of the register  $Rm$ .

**Note:** *If  $n$  is 32, then the value of the result is same as the value in  $Rm$ , and if the carry flag is updated, it is updated to bit[31] of  $Rm$ .  
If ROR with shift length,  $n$ , greater than 32 is the same as ROR with shift length  $n-32$ .*

**Figure 13. ROR #3**


DT33833V1

**3.3.4 Address alignment**

An aligned access is an operation where a word-aligned address is used for a word, or multiple word access, or where a halfword-aligned address is used for a halfword access. Byte accesses are always aligned.

There is no support for unaligned accesses on the Cortex-M0+ processor. Any attempt to perform an unaligned memory access operation results in a HardFault exception.

### 3.3.5 PCrelative expressions

A PCrelative expression or label is a symbol that represents the address of an instruction or literal data. It is represented in the instruction as the PC value plus or minus a numeric offset. The assembler calculates the required offset from the label and the address of the current instruction. If the offset is too large, the assembler produces an error.

*Note:* For most instructions, the value of the PC is the address of the current instruction plus 4 bytes. The assembler might permit other syntaxes for PC-relative expressions, such as a label plus or minus a number, or an expression of the form `[PC, #imm]`.

### 3.3.6 Conditional execution

Most data processing instructions update the condition flags in the application program status register (APSR) according to the result of the operation, see [Section 2.1.3 Core registers](#). Some instructions update all flags, and some only update a subset. If a flag is not updated, the original value is preserved. See the instruction descriptions for the flags that they affect.

The user can execute a conditional branch instruction, based on the condition flags set in another instruction, either:

- Immediately after the instruction that updated the flags.
- After any number of intervening instructions that have not updated the flags.

On the Cortex-M0+ processor, conditional execution is available by using conditional branches.

This section describes:

- [The condition flags](#).
- [Condition code suffixes](#).

#### The condition flags

The APSR contains the following condition flags:

- N Set to 1 when the result of the operation was negative, cleared to 0 otherwise
- Z Set to 1 when the result of the operation was zero, cleared to 0 otherwise.
- C Set to 1 when the operation resulted in a carry, cleared to 0 otherwise.
- V Set to 1 when the operation caused overflow, cleared to 0 otherwise.

For more information about the APSR, see [Application program status register](#).

A carry occurs:

- If the result of an addition is greater than or equal to  $2^{32}$ .
- If the result of a subtraction is positive or zero.
- As the result of a shift or rotate instruction.

Overflow occurs when the sign of the result, in bit[31], does not match the sign of the result had the operation been performed at infinite precision, for example:

- If adding two negative values results in a positive value.
- If adding two positive values results in a negative value.
- If subtracting a positive value from a negative value generates a positive value.
- If subtracting a negative value from a positive value generates a negative value.

The compare operations are identical to subtracting, for `CMP`, or adding, for `CMN`, except that the result is discarded. See the instruction descriptions for more information.

#### Condition code suffixes

Conditional branch is shown in syntax descriptions as `B{cond}`. A branch instruction with a condition code is only taken if the condition code flags in the APSR meet the specified condition, otherwise the branch instruction is ignored. [Table 17. Condition code suffixes](#) shows the condition codes to use.

[Table 17. Condition code suffixes](#) also shows the relationship between condition code suffixes and the N, Z, C, and V flags.

Table 17. Condition code suffixes

Suffix	Flags	Meaning
EQ	Z = 1	Equal, last flag setting result was zero.
NE	Z = 0	Not equal, last flag setting result was non-zero.
CS or HS	C = 1	Higher or same, unsigned.
CC or LO	C = 0	Lower, unsigned.
MI	N = 1	Negative.
PL	N = 0	Positive or zero.
VS	V = 1	Overflow.
VC	V = 0	No overflow.
HI	C = 1 and Z = 0	Higher, unsigned.
LS	C = 0 or Z = 1	Lower or same, unsigned.
GE	N = V	Greater than or equal, signed.
LT	N != V	Less than, signed.
GT	Z = 0 and N = V	Greater than, signed.
LE	Z = 1 or N != V	Less than or equal, signed.
AL	Can have any value	Always. This is the default when no suffix is specified.

### 3.4 Memory access instructions

Table 18. Memory access instructions shows the memory access instructions.

:

Table 18. Memory access instructions

Mnemonic	Brief description	See
ADR	Generate PC-relative address	Section 3.4.1 ADR.
LDM	Load Multiple registers	Section 3.4.5 LDM and STM.
LDR{type}	Load register using immediate offset	Section 3.4.2 LDR and STR, immediate offset.
LDR{type}	Load register using register offset	Section 3.4.3 LDR and STR, register offset.
LDR	Load register from PC-relative address	Section 3.4.4 LDR, PCrelative.
POP	Pop registers from stack	Section 3.4.6 PUSH and POP.
PUSH	Push registers onto stack	Section 3.4.6 PUSH and POP.
STM	Store Multiple registers	Section 3.4.5 LDM and STM.
STR{type}	Store register using immediate offset	Section 3.4.2 LDR and STR, immediate offset.
STR{type}	Store register using register offset	Section 3.4.3 LDR and STR, register offset.

#### 3.4.1 ADR

Generates a PC-relative address.

Syntax

```
ADR Rd, label
```

Where:

Rd            Is the destination register.

`label` Is a PCrelative expression. See [Section 3.3.5 PCrelative expressions](#).

#### Operation

ADR generates an address by adding an immediate value to the PC, and writes the result to the destination register.

ADR facilitates the generation of positionindependent code, because the address is PCrelative.

If the user uses ADR to generate a target address for a BX or BLX instruction, the user must ensure that the bit[0] of the address the user generates is set to 1 for correct execution.

#### Restrictions

In this instruction `Rd` must specify R0-R7. The data-value addressed must be word aligned and within 1020 bytes of the current PC.

#### Condition flags

This instruction does not change the flags.

#### Examples:

```
ADR R1, TextMessage ; Write address value of a location labeled as;
```

```
TextMessage to R1
```

```
ADR R3, [PC,#996] ; Set R3 to the value of PC + 996.
```

### 3.4.2 LDR and STR, immediate offset

Load and store with immediate offset.

#### Syntax

```
LDR Rt, [<Rn | SP> {, #imm}]
```

```
LDR<B|H> Rt, [Rn {, #imm}]
```

```
STR Rt, [<Rn | SP>, {,#imm}]
```

```
STR<B|H> Rt, [Rn {,#imm}]
```

#### Where:

*Rt* Is the register to load or store.

*Rn* Is the register on which the memory address is based

*imm* Is an offset from *Rn*. If *imm* is omitted, it is assumed to be zero.

#### Operation

LDR, LDRB, and LDRH instructions load the register specified by *Rt* with either a word, byte, or halfword data value from memory. Sizes less than word are zero extended to 32-bits before being written to the register specified by *Rt*.

STR, STRB, and STRH instructions store the word, least-significant byte, or lower halfword contained in the single register specified by *Rt* in to memory. The memory address, to load from or store to, is the sum of the value in the register specified by either *Rn* or SP and the immediate value *imm*.

#### Restrictions

In these instructions:

- *Rt* and *Rn* must only specify R0-R7.

- *imm* must be between:
  - 0 and 1020 and an integer multiple of four for LDR and STR using SP as the base register.
  - 0 and 124 and an integer multiple of four for LDR and STR using R0-R7 as the base register.
  - 0 and 62 and an integer multiple of two for LDRH and STRH.
  - 0 and 31 for LDRB and STRB.
- The computed address must be divisible by the number of bytes in the transaction, see [Section 3.3.4 Address alignment](#).

### Condition flags

These instructions do not change the flags.

### Examples

```
LDR R4, [R7 ; Loads R4 from the address in R7.
```

```
STR R2, [R0, #conststruc] ; conststruc is an expression evaluating  
; to a constant in the range 01020.
```

## 3.4.3 LDR and STR, register offset

Load and store with register offset.

### Syntax

```
LDR Rt, [Rn, Rm]
```

```
LDR<B|H> Rt, [Rn, Rm]
```

```
LDR<SB|SH> Rt, [Rn, Rm]
```

```
STR Rt, [Rn, Rm]
```

```
STR<B|H> Rt, [Rn, Rm]
```

Where:

- Rt* Is the register to load or store.
- Rn* Is the register on which the memory address is based
- Rm* s a register containing a value to be used as the offset

### Operation

LDR, LDRB, LDRH, LDRSB and LDRSH load the register specified by *Rt* with either a word, zero extended byte, zero extended halfword, sign extended byte or sign extended halfword value from memory.

STR, STRB and STRH store the word, least-significant byte or lower halfword contained in the single register specified by *Rt* into memory.

The memory address to load from or store to is the sum of the values in the registers specified by *Rn* and *Rm*.

### Restrictions

In these instructions:

- *Rt*, *Rn*, and *Rm* must only specify R0-R7.
- The computed memory address must be divisible by the number of bytes in the load or store, see [Section 3.3.4 Address alignment](#).

### Condition flags

These instructions do not change the flags.

### Examples

```
STR R0, [R5, R1] ; Store value of R0 into an address equal to
                  ; sum of R5 and R1
LDRSH R1, [R2, R3] ; Load a halfword from the memory address
                   ; specified by (R2 + R3), sign extend to 32-bits
                   ; and write to R1.
```

### 3.4.4 LDR, PCrelative

Load register (literal) from memory.

#### Syntax

```
LDR Rt, label
```

Where:

*Rt* Is the register to load  
*label* Is a PCrelative expression. See [Section 3.3.5 PCrelative expressions](#).

#### Operation

Loads the register specified by *Rt* from the word in memory specified by *label*.

#### Restrictions

In these instructions, *label* must be within 1020 bytes of the current PC and word aligned.

#### Condition flags

These instructions do not change the flags.

#### Examples

```
LDR R0, LookUpTable ; Load R0 with a word of data from an address
                    ; labelled as LookUpTable.
LDR R3, [PC, #100] ; Load R3 with memory word at (PC + 100).
```

### 3.4.5 LDM and STM

Load and Store Multiple registers.

#### Syntax

```
LDM Rn{!}, reglist
```

```
STM Rn!, reglist
```

Where:

*Rn* Is the register on which the memory addresses are based.  
 ! Writeback suffix.  
*reglist* Is a list of one or more registers to be loaded or stored, enclosed in braces. It can contain register ranges. It must be comma separated if it contains more than one register or register range, see [Examples](#).



LDMIA and LDMFD are synonyms for LDM. LDMIA refers to the base register being Incremented After each access. LDMFD refers to its use for popping data from full descending stacks.

STMIA and STMEA are synonyms for STM. STMIA refers to the base register being incremented after each access. STMEA refers to its use for pushing data onto empty ascending stacks.

### Operation

LDM instructions load the registers in *reglist* with word values from memory addresses based on *Rn*.

STM instructions store the word values in the registers in *reglist* to memory addresses based on *Rn*.

The memory addresses used for the accesses are at 4-byte intervals ranging from the value in the register specified by *Rn* to the value in the register specified by  $Rn + 4 * (n-1)$ , where *n* is the number of registers in *reglist*. The accesses happens in order of increasing register numbers, with the lowest numbered register using the lowest memory address and the highest number register using the highest memory address. If the writeback suffix is specified, the value in the register specified by  $Rn + 4 * n$  is written back to the register specified by *Rn*.

### Restrictions

In these instructions:

- *reglist* and *Rn* are limited to R0-R7.
- The writeback suffix must always be used unless the instruction is an LDM where *reglist* also contains *Rn*, in which case the writeback suffix must not be used.
- The value in the register specified by *Rn* must be word aligned. See [Section 3.3.4 Address alignment](#) for more information.
- For STM, if *Rn* appears in *reglist*, then it must be the first register in the list.

### Condition flags

These instructions do not change the flags.

### Examples

```
LDM    R0, {R0,R3,R4}    ; LDMIA is a synonym for LDM
STMIA  R1!, {R2R4,R6}
```

### Incorrect examples

```
STM    R5!, {R4,R5,R6} ;Value stored for R5 is unpredictable
LDM    R2, {}          ; There must be at least one register in the list
```

## 3.4.6 PUSH and POP

Push registers onto, and pop registers off a full-descending stack.

### Syntax

```
PUSH reglist
POP reglist
```

Where:

*reglist* Is a non-empty list of registers, enclosed in braces. It can contain register ranges. It must be comma separated if it contains more than one register or register range.

### Operation

PUSH stores registers on the stack, with the lowest numbered register using the lowest memory address and the highest numbered register using the highest memory address.

POP loads registers from the stack, with the lowest numbered register using the lowest memory address and the highest numbered register using the highest memory address.

PUSH uses the value in the SP register minus four as the highest memory address, POP uses the value in the SP register as the lowest memory address, implementing a full-descending stack. On completion, PUSH updates the SP register to point to the location of the lowest store value, POP updates the SP register to point to the location above the highest location loaded.

If a POP instruction includes PC in its `reglist`, a branch to this location is performed when the POP instruction has completed. Bit[0] of the value read for the PC is used to update the APSR T-bit. This bit must be 1 to ensure correct operation.

### Restrictions

In these instructions:

- `reglist` must use only R0-R7.
- The exception is LR for a PUSH and PC for a POP.

### Condition flags

These instructions do not change the flags.

### Examples

PUSH	{R0,R4R7}	; Push R0,R4,R5,R6,R7 onto the stack
PUSH	{R2,LR}	; Push R2 and the link-register onto the stack
POP	{R0,R6,PC}	; Pop r0,r6 and PC from the stack, then branch to
		; the new PC.

## 3.5 General data processing instructions

Table 19. Data processing instructions shows the data processing instructions:

**Table 19. Data processing instructions**

Mnemonic	Brief description	See
ADCS	Add with carry	Section 3.5.1 ADC, ADD, RSB, SBC, and SUB.
ADD{S}	Add	Section 3.5.1 ADC, ADD, RSB, SBC, and SUB.
ANDS	Logical AND	Section 3.5.2 AND, ORR, EOR, and BIC.
ASRS	Arithmetic shift right	Section 3.5.3 ASR, LSL, LSR, and ROR.
BICS	Bit clear	Section 3.5.2 AND, ORR, EOR, and BIC.
CMN	Compare negative	Section 3.5.4 CMP and CMN.
CMP	Compare	Section 3.5.4 CMP and CMN.
EORS	Exclusive OR	Section 3.5.2 AND, ORR, EOR, and BIC.
LSLS	Logical shift left	Section 3.5.3 ASR, LSL, LSR, and ROR.
LSRS	Logical shift right	Section 3.5.3 ASR, LSL, LSR, and ROR.
MOV{S}	Move	Section 3.5.5 MOV and MVN.
MULS	Multiply	Section 3.5.6 MULS.
MVNS	Move NOT	Section 3.5.5 MOV and MVN.
ORRS	Logical OR	Section 3.5.2 AND, ORR, EOR, and BIC.
REV	Reverse byte order in a word	Section 3.5.7 REV, REV16, and REVSH.

Mnemonic	Brief description	See
REV16	Reverse byte order in each halfword	Section 3.5.7 REV, REV16, and REVSH.
REVSH	Reverse byte order in bottom halfword and sign extend	Section 3.5.7 REV, REV16, and REVSH.
RORS	Rotate right	Section 3.5.3 ASR, LSL, LSR, and ROR.
RSBS	Reverse subtract	Section 3.5.1 ADC, ADD, RSB, SBC, and SUB.
SBCS	Subtract with carry	Section 3.5.1 ADC, ADD, RSB, SBC, and SUB.
SUBS	Subtract	Section 3.5.1 ADC, ADD, RSB, SBC, and SUB.
SXTB	Sign extend a byte	Section 3.5.8 SXT and UXT.
SXTH	Sign extend a halfword	Section 3.5.8 SXT and UXT.
UXTB	Zero extend a byte	Section 3.5.8 SXT and UXT.
UXTH	Zero extend a halfword	Section 3.5.8 SXT and UXT.
TST	Test	Section 3.5.9 TST.

### 3.5.1 ADC, ADD, RSB, SBC, and SUB

Add with carry, add, reverse subtract, subtract with carry, and subtract.

#### Syntax

```
ADCS {Rd,} Rn, Rm
```

```
ADD{S} {Rd,} Rn, <Rm|#imm>
```

```
RSBS {Rd,} Rn, Rm, #0
```

```
SBCS {Rd,} Rn, Rm
```

```
SUB{S} {Rd,} Rn, <Rm|#imm>
```

Where:

S	Causes an ADD or SUB instruction to update flags.
Rd	Specifies the result register.
reglist	Specifies the first source register.
Imm	Specifies a constant immediate value.

When the optional *Rd* register specifier is omitted, it is assumed to take the same value as *Rn*, for example ADDS R1,R2 is identical to ADDS R1,R1,R2.

#### Operation

The `ADCS` instruction adds the value in *Rn* to the value in *Rm*, adding another one if the carry flag is set, places the result in the register specified by *Rd* and updates the N, Z, C, and V flags.

The `ADD` instruction adds the value in *Rn* to the value in *Rm* or an immediate value specified by *imm* and places the result in the register specified by *Rd*.

The `ADDS` instruction performs the same operation as `ADD` and also updates the N, Z, C, and V flags.

The `RSBS` instruction subtracts the value in *Rn* from zero, producing the arithmetic negative of the value, and places the result in the register specified by *Rd* and updates the N, Z, C, and V flags.

The `SBCS` instruction subtracts the value of *Rm* from the value in *Rn*, if the carry flag is clear, the result is reduced by one. It places the result in the register specified by *Rd* and updates the N, Z, C, and V flags.

The `SUB` instruction subtracts the value in *Rm* or the immediate specified by *imm*. It places the result in the register specified by *Rd*.

The `SUBS` instruction performs the same operation as `SUB` and also updates the N, Z, C, and V flags.

Use `ADC` and `SBC` to synthesize multiword arithmetic, see [Examples](#).

See also [Section 3.4.1 ADR](#).

### Restrictions

[Table 20. ADC, ADD, RSB, SBC and SUB operand restrictions](#) lists the legal combinations of register specifiers and immediate values that can be used with each instruction.

**Table 20. ADC, ADD, RSB, SBC and SUB operand restrictions**

Instruction	Rd	Rn	Rm	imm	Restrictions
ADCS	R0-R7	R0-R7	R0-R7	-	Rd and Rn must specify the same register.
ADD	R0-R15	R0-R15	R0-PC	-	Rd and Rn must specify the same register. Rn and Rm must not both specify PC.
	R0-R7	SP or PC	-	0-1020	Immediate value must be an integer multiple of four.
	SP	SP	-	0-508	Immediate value must be an integer multiple of four.
ADDS	R0-R7	R0-R7	-	0-7	-
	R0-R7	R0-R7	-	0-255	Rd and Rn must specify the same register.
	R0-R7	R0-R7	R0-R7	-	-
RSBS	R0-R7	R0-R7	-	-	-
SBCS	R0-R7	R0-R7	R0-R7	-	Rd and Rn must specify the same register.
SUB	SP	SP	-	0-508	Immediate value must be an integer multiple of four.
SUBS	R0-R7	R0-R7	-	0-7	-
	R0-R7	R0-R7	-	0-255	Rd and Rn must specify the same register.
	R0-R7	R0-R7	R0-R7	-	-

### Examples

[64-bit addition](#) shows two instructions that add a 64bit integer contained in R0 and R1 to another 64bit integer contained in R2 and R3, and place the result in R0 and R1.

#### 64-bit addition

```
ADDS    R0, R0, R2    ; add the least significant words
```

```
ADCS    R1, R1, R3    ; add the most significant words with carry
```

Multiword values do not have to use consecutive registers. [96-bit subtraction](#) shows instructions that subtract a 96bit integer contained in R1, R2, and R3 from another contained in R4, R5, and R6. The example stores the result in R4, R5, and R6.

#### 96-bit subtraction

```
SUBS    R4, R4, R1    ; subtract the least significant words
```

```
SBCS    R5, R5, R2    ; subtract the middle words with carry
```

```
SBCS    R6, R6, R3    ; subtract the most significant words with carry
```

[Arithmetic negation](#) shows the `RSBS` instruction used to perform a 1's complement of a single register.

#### Arithmetic negation

```
RSBS    R7, R7, #0    ; subtract R7 from zero
```

### 3.5.2 AND, ORR, EOR, and BIC

Logical AND, OR, Exclusive OR, and Bit Clear.

#### Syntax

```
ANDS {Rd,} Rn, Rm
```

```
ORRS {Rd,} Rn, Rm
```

```
EORS {Rd,} Rn, Rm
```

```
BICS {Rd,} Rn, Rm
```

Where:

Rd Is the destination register.

Rn Is the register holding the first operand and is the same as the destination register.

Rm Second register

#### Operation

The AND, EOR, and ORR instructions perform bitwise AND, exclusive OR, and inclusive OR operations on the values in *Rn* and *Rm*.

The BIC instruction performs an AND operation on the bits in *Rn* with the logical negation of the corresponding bits in the value of *Rm*.

The condition code flags are updated on the result of the operation, see [Condition flags](#).

#### Restrictions

In these instructions, *Rd*, *Rn*, and *Rm* must only specify R0-R7.

#### Condition flags

These instructions:

Update the N and Z flags according to the result.

Do not affect the C or V flag.

#### Examples

```
ANDS R2, R2, R1
```

```
ORRS R2, R2, R5
```

```
ANDS R5, R5, R8
```

```
EORS R7, R7, R6
```

```
BICS R0, R0, R1
```

### 3.5.3 ASR, LSL, LSR, and ROR

Arithmetic shift right, logical shift left, logical shift right, and rotate right.

#### Syntax

```
ASRS {Rd,} Rm, Rs
```

```
ASRS {Rd,} Rm, #imm
```

```
LSLS {Rd,} Rm, Rs
```

```
LLSL {Rd,} Rm, #imm
```

```
LSRS {Rd,} Rm, Rs
```

```
LSRS {Rd,} Rm, #imm
```

```
RORS {Rd,} Rm, Rs
```

Where:

*Rd* Is the destination register. If *Rd* is omitted, it is assumed to take the same value as *Rm*.

*Rm* Is the register holding the value to be shifted.

*Rs* Is the register holding the shift length to apply to the value in *Rm*

Is the shift length. The range of shift length depends on the instruction:

<i>Imm</i>	ASR	shift length from 1 to 32
	LSL	shift length from 0 to 31
	LSR	shift length from 1 to 32.

**Note:** *MOV* *Rd, Rm* is a pseudonym for *LLSL Rd, Rm, #0*.

### Operation

*ASR*, *LSL*, *LSR*, and *ROR* perform an arithmetic-shift-left, logical-shift-left, logical-shift-right, or a right-rotation of the bits in the register *Rm* by the number of places specified by the immediate *imm* or the value in the least-significant byte of the register specified by *Rs*.

For details on what result is generated by the different instructions, see [Section 3.3.3 Shift operations](#).

### Restrictions

In these instructions, *Rd*, *Rm*, and *Rs* must only specify R0-R7. For non-immediate instructions, *Rd* and *Rm* must specify the same register.

### Condition flags

These instructions update the N and Z flags according to the result.

The C flag is updated to the last bit shifted out, except when the shift length is 0, see [Section 3.3.3 Shift operations](#). The V flag is left unmodified.

### Examples

```
ASRS R7, R5, #9 ; Arithmetic shift right by 9 bits
```

```
LLSL R1, R2, #3 ; Logical shift left by 3 bits with flag update
```

```
LSRS R4, R5, #6 ; Logical shift right by 6 bits
```

```
RORS R4, R4, R6 ; Rotate right by the value in the bottom byte of R6.
```

## 3.5.4 CMP and CMN

Compare and compare negative.

### Syntax

```
CMN Rn, Rm
```

```
CMP Rn, #imm
```

```
CMP Rn, Rm
```

Where:

- Rn* Is the register holding the first operand.
- Rm* Is the register to compare with.
- Imm* Is the immediate value to compare with.

### Operation

These instructions compare the value in a register with either the value in another register or an immediate value. They update the condition flags on the result, but do not write the result to a register.

The `CMP` instruction subtracts either the value in the register specified by *Rm*, or the immediate *imm* from the value in *Rn* and updates the flags. This is the same as a `SUBS` instruction, except that the result is discarded.

The `CMN` instruction adds the value of *Rm* to the value in *Rn* and updates the flags. This is the same as an `ADDS` instruction, except that the result is discarded.

### Restrictions

For the:

- `CMN` instruction *Rn*, and *Rm* must only specify R0-R7.
- `CMP` instruction:
  - *Rn* and *Rm* can specify R0-R14.
  - Immediate must be in the range 0-255.

### Condition flags

These instructions update the N, Z, C, and V flags according to the result.

### Examples

```

CMP    R2, R9

CMN    R0, R2
```

## 3.5.5

### MOV and MVN

Move and move NOT.

#### Syntax

```

MOV{S} Rd, Rm

MOVS Rd, #imm

MVNS Rd, Rm
```

Where:

- S* Is an optional suffix. If *S* is specified, the condition code flags are updated on the result of the operation, see [Section 3.3.6 Conditional execution](#).
- Rd* Is the destination register.
- Rm* Is a register.
- Imm* Is any value in the range 0-255.

### Operation

The `MOV` instruction copies the value of *Rm* into *Rd*.

The `MOVS` instruction performs the same operation as the `MOV` instruction, but also updates the N and Z flags.

The `MVSN` instruction takes the value of *Rm*, performs a bitwise logical negate operation on the value, and places the result into *Rd*.

### Restrictions

In these instructions, *Rd*, and *Rm* must only specify R0-R7.

When *Rd* is the PC in a `MOV` instruction:

- Bit[0] of the result is discarded.
- A branch occurs to the address created by forcing the bit[0] of the result to 0. The T-bit remains unmodified.

*Note:*

*Though it is possible to use `MOV` as a branch instruction, Arm® strongly recommends the use of a `BX`, or `BLX` instruction to branch for software portability.*

### Condition flags

If S is specified, these instructions:

- update the N and Z flags according to the result
- do not affect the C or V flags.

### Example

```

MOVSN R0, #0x000B ; Write value of 0x000B to R0, flags get updated
MOVSN R1, #0x0    ; Write value of zero to R1, flags are updated
MOV   R10, R12   ; Write value in R12 to R10, flags are not updated
MOVSN R3, #23    ; Write value of 23 to R3
MOV   R8, SP     ; Write value of stack pointer to R8
MVNS  R2, R0     ; Write inverse of R0 to the R2 and update flags

```

## 3.5.6

### MULS

Multiply using 32bit operands, and producing a 32-bit result.

#### Syntax

`MULS Rd, Rn, Rm`

Where:

- Rd* Is the destination register.
- Rn, Rm* Are registers holding the values to be multiplied.

#### Operation

The `MUL` instruction multiplies the values in the registers specified by *Rn* and *Rm*, and places the least significant 32 bits of the result in *Rd*. The condition code flags are updated on the result of the operation, see [Section 3.3.6 Conditional execution](#).

The results of this instruction do not depend on whether the operands are signed or unsigned.

#### Restrictions

In this instruction:

- *Rd*, *Rn*, and *Rm* must only specify R0-R7.
- *Rd* must be the same as *Rm*.

#### Condition flags

This instruction:



- Updates the N and Z flags according to the result.
- Does not affect the C or V flags.

#### Examples

```
MULS    R0, R2, R0    ; Multiply with flag update, R0 = R0 x R2
```

### 3.5.7 REV, REV16, and REVSH

Reverse bytes.

#### Syntax

```
REV Rd, Rn
```

```
REV16 Rd, Rn
```

```
REVSH Rd, Rn
```

Where:

*Rd*            Is the destination register.

*Rn*            Is the source register.

#### Operation

Use these instructions to change the endianness of data:

RER

REV    Converts 32-bit big-endian data into little-endian data or 32-bit little-endian data into big-endian data.

REV16   Converts two packed 16-bit big-endian data into little-endian data or two packed 16-bit little-endian data into big-endian data.

REVSH   Converts 16-bit signed big-endian data into 32-bit signed little-endian data or 16-bit signed little-endian data into 32-bit signed big-endian data.

#### Restrictions

In these instructions, *Rd*, and *Rn* must only specify R0-R7.

#### Condition flags

These instructions do not change the flags.

#### Examples

```
REV     R3, R7    ; Reverse byte order of value in R7 and write it to R3
```

```
REV16  R0, R0    ; Reverse byte order of each 16-bit halfword in R0
```

```
REVSH  R0, R5    ; Reverse signed halfword
```

### 3.5.8 SXT and UXT

Sign extend and zero extend.

#### Syntax

```
SXTB Rd, Rm
```

```
SXTH Rd, Rm
```

```
UXTB Rd, Rm
```

```
UXTH Rd, Rm
```

Where:

- Rd* Is the destination register.
- Rm* Is the register holding the value to be extended.

### Operation

- These instructions extract bits from the resulting value:
- *SXTB* extracts bits[7:0] and sign extends to 32 bits.
- *UXTB* extracts bits[7:0] and zero extends to 32 bits.
- *SXTH* extracts bits[15:0] and sign extends to 32 bits.
- *UXTH* extracts bits[15:0] and zero extends to 32 bits.

### Restrictions

In these instructions, *Rd* and *Rm* must only specify R0-R7.

### Condition flags

These instructions do not affect the flags.

### Examples

```
SXTH R4, R6 ; Obtain the lower halfword of the
; value in R6 and then sign extend to
; 32 bits and write the result to R4.
UXTB R3, R1 ; Extract lowest byte of the value in R10 and zero
; extend it, and write the result to R3
```

## 3.5.9

### TST

Test bits.

### Syntax

```
TST Rn, Rm
```

Where:

- Rn* Is the register holding the first operand.
- Rm* The register to test against.

### Operation

This instruction tests the value in a register against another register. It updates the condition flags based on the result, but does not write the result to a register.

The *TST* instruction performs a bitwise AND operation on the value in *Rn* and the value in *Rm*. This is the same as the *ANDS* instruction, except that it discards the result.

To test whether a bit of *Rn* is 0 or 1, use the *TST* instruction with a register that has that bit set to 1 and all other bits cleared to 0.

### Restrictions

In these instructions, *Rn* and *Rm* must only specify R0-R7.

### Condition flags

This instruction:

- updates the N and Z flags according to the result
- does not affect the C or V flags.

### Examples

```
TST  R0, R1 ; Perform bitwise AND of R0 value and R1 value,
          ; condition code flags are updated but result is discarded.
```

## 3.6 Branch and control instructions

Table 21. Branch and control instructions shows the branch and control instructions:

**Table 21. Branch and control instructions**

Mnemonic	Brief description	See
B{cc}	Branch {conditionally}	Section 3.6.1 B, BL, BX, and BLX.
BL	Branch with Link	Section 3.6.1 B, BL, BX, and BLX.
BLX	Branch indirect with Link	Section 3.6.1 B, BL, BX, and BLX.
BX	Branch indirect	Section 3.6.1 B, BL, BX, and BLX.

### 3.6.1 B, BL, BX, and BLX

Branch instructions.

#### Syntax

```
B{cond} label
BL label
BX Rm
BLX Rm
```

Where:

- Cond* Is an optional condition code, see Section 3.3.6 Conditional execution.
- label* Is a PCrelative expression. See Section 3.3.5 PCrelative expressions.
- Rm* Is a register providing the address to branch to.

#### Operation

All these instructions cause a branch to the address indicated by the *label* or contained in the register specified by *Rm*. In addition:

- the BL and BLX instructions write the address of the next instruction to LR, the link register R14.
- the BX and BLX instructions result in a HardFault exception if bit[0] of *Rm* is 0.

BL and BLX instructions also set bit[0] of the LR to 1. This ensures that the value is suitable for use by a subsequent POP {PC} or BX instruction to perform a successful return branch.

Table 22. Branch ranges shows the ranges for the various branch instructions.

**Table 22. Branch ranges**

Instruction	Branch range
B <i>label</i>	-2 KB to +2 KB.
Bcond <i>label</i>	-256 bytes to +254 bytes.
BL <i>label</i>	-16 MB to +16 MB.
BX <i>Rm</i>	Any value in register.
BLX <i>Rm</i>	Any value in register.

### Restrictions

In these instructions:

- Do not use SP or PC in the BX or BLX instruction.
- For BX and BLX, the bit[0] of *Rm* must be 1 for correct execution. Bit[0] is used to update the EPSR T-bit and is discarded from the target address.

*Note:* Bcond is the only conditional instruction on the Cortex-M0+ processor.

### Condition flags

These instructions do not change the flags.

### Examples

B	loopA	; Branch to loopA
BL	funC	; Branch with link (Call) to function funC, return address
		; stored in LR
BX	LR	; Return from function call
BLX	R0	; Branch with link and exchange (Call) to an address stored
		; in R0
BEQ	labelD	; Conditionally branch to labelD if last flag setting
		; instruction set the Z flag, else do not branch.

## 3.7 Miscellaneous instructions

Table 23. Miscellaneous instructions shows the remaining Cortex®-M0+ instructions.

:

**Table 23. Miscellaneous instructions**

Mnemonic	Brief description	See
BKPT	Breakpoint	Section 3.7.1 BKPT.
CPSID	Change processor state, disable interrupts	Section 3.7.2 CPS.
CPSIE	Change processor state, enable interrupts	Section 3.7.2 CPS.
DMB	Data memory barrier	Section 3.7.3 DMB.
DSB	Data synchronization barrier	Section 3.7.4 DSB.

Mnemonic	Brief description	See
ISB	Instruction synchronization barrier	Section 3.7.5 ISB.
MRS	Move from special register to register	Section 3.7.6 MRS.
MSR	Move from register to special register	Section 3.7.7 MSR.
NOP	No operation	Section 3.7.7 MSR.
SEV	Send event	Section 3.7.9 SEV.
SVC	Supervisor call	Section 3.7.10 SVC.
WFE	Wait for event	Section 3.7.11 WFE.
WFI	Wait for interrupt	Section 3.7.12 WFI.

### 3.7.1 BKPT

Breakpoint.

#### Syntax

```
BKPT #imm
```

Where:

<i>Imm</i>	Is an integer in the range 0-255.
------------	-----------------------------------

#### Operation

The `BKPT` instruction causes the processor to enter debug state. Debug tools can use this to investigate system state when the instruction at a particular address is reached.

*Imm* is ignored by the processor. If required, a debugger can use it to store additional information about the breakpoint.

The processor might also produce a HardFault or go in to Lockup if a debugger is not attached when a `BKPT` instruction is executed. See [Section 2.4.1 Lockup](#) for more information.

#### Restrictions

There are no restrictions.

#### Condition flags

This instruction does not change the flags.

#### Examples

```
BKPT #0 ; Breakpoint with immediate value set to 0x0.
```

### 3.7.2 CPS

Change processor state.

#### Syntax

```
CPSID i
```

```
CPSIE i
```

#### Operation

`CPS` changes the PRIMASK special register values. `CPSID` causes interrupts to be disabled by setting PRIMASK. `CPSIE` cause interrupts to be enabled by clearing PRIMASK. See [Exception mask register](#) for more information about these registers.

### Restrictions

If the current mode of execution is not privileged, then this instruction behaves as a `NOP` and does not change the current state of `PRIMASK`.

### Condition flags

This instruction does not change the condition flags.

### Examples

```
CPSID i ; Disable all interrupts except NMI (set PRIMASK.PM)
```

```
CPSIE i ; Enable interrupts (clear PRIMASK.PM)
```

## 3.7.3

### DMB

Data memory barrier.

### Syntax

```
DMB
```

### Operation

DMB acts as a data memory barrier. It ensures that all explicit memory accesses that appear in program order before the DMB instruction are observed before any explicit memory accesses that appear in program order after the DMB instruction. DMB does not affect the ordering of instructions that do not access memory.

### Restrictions

There are no restrictions.

### Condition flags

This instruction does not change the flags.

### Examples

```
DMB ; Data memory barrier
```

## 3.7.4

### DSB

Data synchronization barrier.

### Syntax

```
DSB
```

### Operation

DSB acts as a special data synchronization memory barrier. Instructions that come after the DSB, in program order, do not execute until the DSB instruction completes. The DSB instruction completes when all explicit memory accesses before it complete.

### Restrictions

There are no restrictions.

### Condition flags

This instruction does not change the flags.

### Examples

```
DSB ; Data synchronisation barrier
```

### 3.7.5

#### ISB

Instruction synchronization barrier.

#### Syntax

```
ISB
```

#### Operation

ISB acts as an instruction synchronization barrier. It flushes the pipeline of the processor, so that all instructions following the ISB are fetched from cache or memory again, after the ISB instruction has been completed.

#### Restrictions

There are no restrictions.

#### Condition flags

This instruction does not change the flags.

#### Examples

```
ISB ; Instruction synchronization barrier
```

### 3.7.6

#### MRS

Move the contents of a special register to a general purpose register.

#### Syntax

```
MRS Rd, spec_reg
```

Where:

<i>Rd</i>	Is the general purpose destination register.
<i>spec_reg</i>	Is one of the special purpose registers: APSR, IPSR, EPSR, IEPSR, IAPSR, EAPSR, PSR, MSP, PSP, PRIMASK, or CONTROL.

#### Operation

MRS stores the contents of a special-purpose register to a general purpose register. The MRS instruction can be combined with the MSR instruction to produce read-modify-write sequences, which are suitable for modifying a specific flag in the PSR.

See [Section 3.7.7 MSR](#).

#### Restrictions

In this instruction, *Rd* must not be SP or PC.

If the current mode of execution is not privileged, then the values of all registers other than the APSR read as zero.

#### Condition flags

This instruction does not change the flags.

### Examples

```
MRS R0, PRIMASK ; Read PRIMASK value and write it to R0
```

### 3.7.7

#### MSR

Move the contents of a generalpurpose register into the specified special register.

#### Syntax

```
MSR spec_reg, Rn
```

Where:

<i>Rn</i>	Is the general-purpose source register.
<i>spec_reg</i>	Is the special-purpose destination register: APSR, IPSR, EPSR, IEPSR, IAPSR, EAPSR, PSR, MSP, PSP, PRIMASK, or CONTROL.

#### Operation

MSR updates one of the special registers with the value from the register specified by Rn.

See [Section 3.7.6 MRS](#).

#### Restrictions

In this instruction, Rn must not be SP and must not be PC.

If the current mode of execution is not privileged, then all attempts to modify any register other than the APSR are ignored.

#### Condition flags

This instruction updates the flags explicitly based on the value in Rn.

#### Examples

```
MSR CONTROL, R1 ; Read R1 value and write it to the CONTROL register.
```

### 3.7.8

#### NOP

No operation.

#### Syntax

```
NOP
```

#### Operation

NOP performs no operation and is not guaranteed to be time consuming. The processor might remove it from the pipeline before it reaches the execution stage.

#### Restrictions

There are no restrictions.

#### Condition flags

This instruction does not change the flags.

#### Examples

```
NOP ; No operation
```



### 3.7.9

#### SEV

Send Event.

##### Syntax

```
SEV
```

##### Operation

SEV causes an event to be signaled to all processors within a multiprocessor system. It also sets the local event register, see [Section 2.5 Power management](#).

See also [Section 3.7.11 WFE](#).

##### Restrictions

There are no restrictions.

##### Condition flags

This instruction does not change the flags.

##### Examples

```
SEV ; Send event
```

### 3.7.10

#### SVC

Supervisor call.

##### Syntax

```
SVC #imm
```

Where:

<i>Imm</i>	Is an integer in the range 0255.
------------	----------------------------------

##### Operation

The SVC instruction causes the SVC exception.

*Imm* is ignored by the processor. If required, it can be retrieved by the exception handler to determine what service is being requested.

##### Restrictions

Executing the SVC instruction, while the current execution priority level is greater than or equal to that of the SVC handler, results in a fault being generated.

##### Condition flags

This instruction does not change the flags.

##### Examples

```
SVC #0x32 ; Supervisor call (SVC handler can extract the immediate value.
```

```
; by locating it through the stacked PC)
```

### 3.7.11

#### WFE

Wait for event.

### Syntax

```
WFE
```

### Operation

If the event register is 0, WFE suspends execution until one of the following events occurs:

- An exception, unless masked by the exception mask registers or the current priority level.
- An exception enters the pending state, if SEVONPEND in the system control register is set.
- A debug entry request, if debug is enabled.
- An event signaled by a peripheral or another processor in a multiprocessor system using the SEV instruction.

If the event register is 1, WFE clears it to 0 and completes immediately.

For more information, see [Section 2.5 Power management](#).

*Note:* WFE is intended for power saving only. When writing the software, it is assumed that WFE might behave as NOP.

### Restrictions

There are no restrictions.

### Condition flags

This instruction does not change the flags.

### Examples

```
WFE ; Wait for event
```

## 3.7.12

### WFI

Wait for interrupt.

### Syntax

```
WFI
```

### Operation

WFI suspends execution until one of the following events occurs:

- An exception.
- An interrupt becomes pending which would preempt if PRIMASK.PM was clear.
- A debug entry request, regardless of whether debug is enabled.

*Note:* WFI is intended for power saving only. When writing software, it is assumed that WFI might behave as a NOP operation.

### Restrictions

There are no restrictions.

### Condition flags

This instruction does not change the flags.

### Examples

```
WFI ; Wait for interrupt
```

## 4 Cortex®-M0+ core peripherals

### 4.1 About the Cortex®-M0+ core peripherals

The address map of the private peripheral bus (PPB) is:

**Table 24. Core peripheral register regions**

Address	Core peripheral	Description
0xE000E008-0xE000E00F	System Control Block	Table 29. Summary of the SCB registers.
0xE000E010-0xE000E01F	Reserved	-
0xE000E010-0xE000E01F	System timer	Table 32. System timer registers summary.
0xE000E100-0xE000E4EF	Nested vectored interrupt controller	Table 25. NVIC register summary.
0xE000ED00-0xE000ED3F	System control block	Table 29. Summary of the SCB registers.
0xE000ED90-0xE000EDB8	Memory protection unit	Table 34. MPU registers summary.
0xE000EF00-0xE000EF03	Nested vectored interrupt controller	Table 25. NVIC register summary.

1. Software can read the MPU type register at 0xE000ED90 to test for the presence of a memory protection unit (MPU).

In register descriptions, the register type is described as follows:

RW	Read and write.
RO	Read-only.
WO	Write-only.

- the required privilege gives the privilege level required to access the register, as follows:

#### Privileged

Only privileged software can access the register.

#### Unprivileged

Both unprivileged and privileged software can access the register.

### 4.2 Nested vectored interrupt controller

This section describes the Nested vectored interrupt controller (NVIC) and the registers it uses. The NVIC supports:

- 32 interrupts.
- A programmable priority level of 0-192 in steps of 64 for each interrupt. A higher level corresponds to a lower priority, so level 0 is the highest interrupt priority.
- Level and pulse detection of interrupt signals.
- Interrupt tail-chaining.
- An external non-maskable interrupt (NMI).

The processor automatically stacks its state on exception entry and unstacks this state on exception exit, with no instruction overhead. This provides low latency exception handling. The hardware implementation of the NVIC registers is shown in the table below:

:

**Table 25. NVIC register summary**

Address	Name	Type	Reset value	Description
0xE000E100	NVIC_ISER	RW	0x00000000	Section 4.2.2 Interrupt set-enable register.
0xE000E180	NVIC_ICER	RW	0x00000000	Section 4.2.3 Interrupt clear-enable register.
0xE000E200	NVIC_ISPR	RW	0x00000000	Section 4.2.4 Interrupt set-pending register.
0xE000E280	NVIC_ICPR	RW	0x00000000	Section 4.2.5 Interrupt clear-pending register.
0xE000E400-0xE000E41C	NVIC_IPR0-7	RW	0x00000000	Section 4.2.6 Interrupt priority registers.

#### 4.2.1 Accessing the Cortex<sup>®</sup>-M0+ NVIC registers using CMSIS

CMSIS functions enable software portability between different Cortex<sup>®</sup>-M profile processors. To access the NVIC registers when using CMSIS, use the following functions:

**Table 26. CMSIS access NVIC functions**

CMSIS function	Description
<code>void NVIC_EnableIRQ (IRQn_Type IRQn)</code>	Enables an interrupt or exception.
<code>void NVIC_DisableIRQ (IRQn_Type IRQn)</code>	Disables an interrupt or exception.
<code>void NVIC_SetPendingIRQ (IRQn_Type IRQn)</code>	Sets the pending status of interrupt or exception to 1.
<code>void NVIC_ClearPendingIRQ (IRQn_Type IRQn)</code>	Clears the pending status of interrupt or exception to 0.
<code>uint32_t NVIC_GetPendingIRQ (IRQn_Type IRQn)</code>	Reads the pending status of interrupt or exception. This function returns nonzero value if the pending status is set to 1.
<code>void NVIC_SetPriority (IRQn_Type IRQn, uint32_t priority)</code>	Sets the priority of an interrupt or exception with configurable priority level to 1.
<code>uint32_t NVIC_GetPriority (IRQn_Type IRQn)</code>	Reads the priority of an interrupt or exception with a configurable priority level. This function returns the current priority level.

*Note:* The input parameter *IRQn* is the IRQ number, see [Table 12. Properties of the different exception types](#)

#### 4.2.2 Interrupt set-enable register

The NVIC\_ISER enables interrupts, and shows which interrupts are enabled. See the register summary in [Table 25. NVIC register summary](#) for the register attributes.

The bit assignments are:

31	30	29	28	27	26	25	24	23	22	21	20	19	18	17	16
SETENA[31:16]															
rs	rs	rs	rs	rs	rs	rs	rs	rs	rs	rs	rs	rs	rs	rs	rs
15	14	13	12	11	10	9	8	7	6	5	4	3	2	1	0
SETENA[15:0]															
rs	rs	rs	rs	rs	rs	rs	rs	rs	rs	rs	rs	rs	rs	rs	rs

Bits 31:0 **SETENA:** Interrupt set-enable bits

**Write:**

- 0: No effect
- 1: Enable interrupt

**Read:**

- 0: Interrupt disabled
- 1: Interrupt enabled

If a pending interrupt is enabled, the NVIC activates the interrupt based on its priority. If an interrupt is not enabled, asserting its interrupt signal changes the interrupt state to pending, but the NVIC never activates the interrupt, regardless of its priority.

### 4.2.3 Interrupt clear-enable register

The NVIC\_ICER disables interrupts, and show which interrupts are enabled. See the register summary in [Table 25. NVIC register summary](#) for the register attributes.

The bit assignments are:

31	30	29	28	27	26	25	24	23	22	21	20	19	18	17	16
CLRENA[31:16]															
rc_w1	rc_w1	rc_w1	rc_w1	rc_w1	rc_w1	rc_w1	rc_w1	rc_w1	rc_w1	rc_w1	rc_w1	rc_w1	rc_w1	rc_w1	rc_w1
15	14	13	12	11	10	9	8	7	6	5	4	3	2	1	0
CLRENA[15:0]															
rc_w1	rc_w1	rc_w1	rc_w1	rc_w1	rc_w1	rc_w1	rc_w1	rc_w1	rc_w1	rc_w1	rc_w1	rc_w1	rc_w1	rc_w1	rc_w1

 Bits 31:0 **CLRENA:** Interrupt clear-enable bits

**Write:**

- 0: No effect
- 1: Disable interrupt

**Read:**

- 0: Interrupt disabled
- 1: Interrupt enabled

### 4.2.4 Interrupt set-pending register

The NVIC\_ISPR forces interrupts into the pending state, and shows which interrupts are pending. See the register summary in [Table 25. NVIC register summary](#) for the register attributes.

The bit assignments are:

31	30	29	28	27	26	25	24	23	22	21	20	19	18	17	16
SETPEND[31:16]															
rs	rs	rs	rs	rs	rs	rs	rs	rs	rs7	rs	rs	rs	rs	rs	rs
15	14	13	12	11	10	9	8	7	6	5	4	3	2	1	0
SETPEND[15:0]															
rs	rs	rs	rs	rs	rs	rs	rs	rs	rs	rs	rs	rs	rs	rs	rs

Bits 31:0     **SETPEND**: Interrupt set-pending bits

**Write:**

- 0: No effect
- 1: Change interrupt state to pending

**Read:**

- 0: Interrupt is not pending
- 1: Interrupt is pending

**Note:**     *Writing 1 to the NVIC\_ISPR bit corresponding to:*

- An interrupt that is pending has no effect.
- A disabled interrupt sets the state of that interrupt to pending.

### 4.2.5 Interrupt clear-pending register

The NVIC\_ICPR removes the pending state from interrupts, and shows which interrupts are pending. See the register summary in [Table 25. NVIC register summary](#) for the register attributes.

The bit assignments are:

31	30	29	28	27	26	25	24	23	22	21	20	19	18	17	16
<b>CLRPEND[31:16]</b>															
rc_w1	rc_w1	rc_w1	rc_w1	rc_w1	rc_w1	rc_w1	rc_w1	rc_w1	rc_w1	rc_w1	rc_w1	rc_w1	rc_w1	rc_w1	rc_w1
15	14	13	12	11	10	9	8	7	6	5	4	3	2	1	0
<b>CLRPEND[15:0]</b>															
rc_w1	rc_w1	rc_w1	rc_w1	rc_w1	rc_w1	rc_w1	rc_w1	rc_w1	rc_w1	rc_w1	rc_w1	rc_w1	rc_w1	rc_w1	rc_w1

Bits 31:0     **CLRPEND**: Interrupt clear-pending bits

**Write:**

- 0: No effect
- 1: Removes pending state and interrupt.

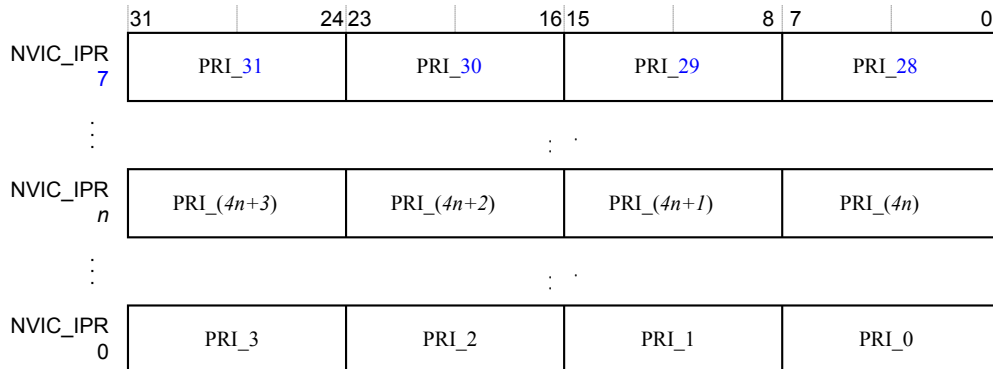
**Read:**

- 0: Interrupt is not pending
- 1: Interrupt is pending

**Note:**     *Writing 1 to an NVIC\_ICPR bit does not affect the active state of the corresponding interrupt.*

### 4.2.6 Interrupt priority registers

The NVIC\_IPR0-NVIC\_IPR7 registers provide an 8-bit priority field for each interrupt. These registers are only word-accessible. See the register summary in [Table 25. NVIC register summary](#) for their attributes. Each register holds four priority fields as shown:

**Figure 14. Priority fields**


DT33834V1

**Table 27. NVIC\_IPRx bit assignments**

Bits	Name	Function
[31:24]	Priority, byte offset 3	Each priority field holds a priority value, 0-192. The lower the value, the greater the priority of the corresponding interrupt. The processor implements only bits[7:6] of each field, bits [5:0] read as zero and ignore writes. This means writing 255 to a priority register saves value 192 to the register.
[23:16]	Priority, byte offset 2	
[15:8]	Priority, byte offset 1	
[7:0]	Priority, byte offset 0	

See [Section 4.2.1 Accessing the Cortex®-M0+ NVIC registers using CMSIS](#) for more information about the access to the interrupt priority array, which provides the software view of the interrupt priorities.

Find the NVIC\_IPR number and byte offset for interrupt M as follows:

- The corresponding NVIC\_IPR number, N, is given by  $N = M \text{ DIV } 4$ .
- The byte offset of the required priority field in this register is  $M \text{ MOD } 4$ , where:
  - Byte offset 0 refers to register bits[7:0].
  - Byte offset 1 refers to register bits[15:8].
  - Byte offset 2 refers to register bits[23:16].
  - Byte offset 3 refers to register bits[31:24].

#### 4.2.7 Level-sensitive and pulse interrupts

Cortex-M0+ interrupts are both level-sensitive and pulse-sensitive. Pulse interrupts are also described as edge-triggered interrupts.

A level-sensitive interrupt is held asserted until the peripheral deasserts the interrupt signal. Typically this happens because the ISR accesses the peripheral, causing it to clear the interrupt request. A pulse interrupt is an interrupt signal sampled synchronously on the rising edge of the processor clock. To ensure the NVIC detects the interrupt, the peripheral must assert the interrupt signal for at least one clock cycle, during which the NVIC detects the pulse and latches the interrupt.

When the processor enters the ISR, it automatically removes the pending state from the interrupt, see [Hardware and software control of interrupts](#). For a level-sensitive interrupt, if the signal is not deasserted before the processor returns from the ISR, the interrupt becomes pending again, and the processor must execute its ISR again. This means that the peripheral can hold the interrupt signal asserted until it no longer requires servicing.

### Hardware and software control of interrupts

The Cortex-M0+ processor latches all interrupts. A peripheral interrupt becomes pending for one of the following reasons:

- The NVIC detects that the interrupt signal is active and the corresponding interrupt is not active.
- The NVIC detects a rising edge on the interrupt signal.
- Software writes to the corresponding interrupt set-pending register bit, see [Section 4.2.4 Interrupt set-pending register](#).

A pending interrupt remains pending until one of the following:

- The processor enters the ISR for the interrupt. This changes the state of the interrupt from pending to active. Then:
  - For a level-sensitive interrupt, when the processor returns from the ISR, the NVIC samples the interrupt signal. If the signal is asserted, the state of the interrupt changes to pending, which might cause the processor to immediately reenter the ISR. Otherwise, the state of the interrupt changes to inactive.
  - For a pulse interrupt, the NVIC continues to monitor the interrupt signal, and if this is pulsed the state of the interrupt changes to pending and active. In this case, when the processor returns from the ISR the state of the interrupt changes to pending, which might cause the processor to immediately reenter the ISR. If the interrupt signal is not pulsed while the processor is in the ISR, when the processor returns from the ISR the state of the interrupt changes to inactive.
- Software writes to the corresponding interrupt clear-pending register bit.

For a level-sensitive interrupt, if the interrupt signal is still asserted, the state of the interrupt does not change. Otherwise, the state of the interrupt changes to inactive.

For a pulse interrupt, state of the interrupt changes to:

- Inactive, if the state was pending.
- Active, if the state was active and pending.

### 4.2.8 NVIC usage hints and tips

Ensure that software uses correctly aligned register accesses. The processor does not support unaligned accesses to NVIC registers.

An interrupt can enter the pending state even if it is disabled. Disabling an interrupt only prevents the processor from taking that interrupt.

Before programming VTOR to relocate the vector table, ensure that the vector table entries of the new vector table are set up for fault handlers, NMI, and all enabled exception like interrupts. For more information, see [Section 4.3.4 Vector table offset register](#).

#### NVIC programming hints

Software uses the `CPSIEi` and `CPSIDi` instructions to enable and disable interrupts. The CMSIS provides the following intrinsic functions for these instructions:

```
void __disable_irq(void) // Disable interrupts
```

```
void __enable_irq(void) // Enable interrupts
```

In addition, the CMSIS provides a number of functions for NVIC control, including:

**Table 28. CMSIS functions for NVIC control**

CMSIS interrupt control function	Description
<code>void NVIC_EnableIRQ (IRQn_t IRQn)</code>	Enable IRQn.
<code>void NVIC_DisableIRQ (IRQn_t IRQn)</code>	Disable IRQn
<code>uint32_t NVIC_GetPendingIRQ (IRQn_t IRQn)</code>	Return true (1) if IRQn is pending.
<code>void NVIC_SetPendingIRQ (IRQn_t IRQn)</code>	Set IRQn pending.
<code>void NVIC_ClearPendingIRQ (IRQn_t IRQn)</code>	Clear IRQn pending status.



<code>void NVIC_SetPriority (IRQn_t IRQn, uint32_t priority)</code>	Set priority for IRQn.
<code>uint32_t NVIC_GetPriority (IRQn_t IRQn)</code>	Read priority of IRQn.
<code>void NVIC_SystemReset (void)</code>	Reset the system.

The input parameter `IRQn` is the IRQ number, see [Table 12. Properties of the different exception types](#). For more information about these functions, see the CMSIS documentation.

### 4.3 System control Block

The system control Block (SCB) provides system implementation information, and system control. This includes configuration, control, and reporting of the system exceptions. The SCB registers are:

**Table 29. Summary of the SCB registers**

Address	Name	Type	Reset value	Description
0xE00ED00	CPUID	RO	0x410CC601	<a href="#">Section 4.3.2 CPUID register</a> .
0xE00ED04	ICSR	RW <sup>(1)</sup>	0x00000000	<a href="#">Section 4.3.3 Interrupt control and state register (ICSR)</a> .
0xE00ED08	VTOR	RW	0x00000000	<a href="#">Section 4.3.4 Vector table offset register</a> .
0xE00ED0C	AIRCR	RW <sup>(1)</sup>	0xFA050000	<a href="#">Section 4.3.5 Application interrupt and reset control register</a> .
0xE00ED10	SCR	RW	0x00000000	<a href="#">Section 4.3.6 System control register (SCR)</a> .
0xE00ED14	CCR	RO	0x00000204	<a href="#">Section 4.3.7 Configuration and control register (CCR)</a> .
0xE00ED1C	SHPR2	RW	0x00000000	<a href="#">System handler priority register 2</a> .
0xE00ED20	SHPR3	RW	0x00000000	<a href="#">System handler priority register 3</a> .

1. See the register description for more information.

#### 4.3.1 The CMSIS mapping of the Cortex-M0+ SCB registers

To improve software efficiency, the CMSIS simplifies the SCB register presentation. In the CMSIS, the array `SHP[1]` corresponds to the registers SHPR2-SHPR3.

#### 4.3.2 CPUID register

The CPUID register contains the processor part number, version, and implementation information. See the register summary in [Table 29. Summary of the SCB registers](#) for its attributes. The bit assignments are:

31	30	29	28	27	26	25	24	23	22	21	20	19	18	17	16
IMPLEMENTER								VARIANT				Architecture			
r	r	r	r	r	r	r	r	r	r	r	r	r	r	r	r
15	14	13	12	11	10	9	8	7	6	5	4	3	2	1	0
PART No												REVISION			
r	r	r	r	r	r	r	r	r	r	r	r	r	r	r	r

Bits 31:24 **Implementer:** Implementer code  
0x41: ARM

Bits 23:20 **Variant:** Major revision number n in the rnpm revision status:  
0x0: Revision 0

Bits 19:16 **Architecture:** Constant that defines the architecture of the processor:  
0xC: ARMv6-M architecture

Bits 15:4 **PartNo:** Part number of the processor  
0xC60: = Cortex-M0+

Bits 3:0 **Revision:** Minor revision number m in the rnpm revision status:  
0x1: patch 1

### 4.3.3 Interrupt control and state register (ICSR)

The ICSR:

- Provides:
  - A set-pending bit for the non-maskable interrupt (NMI) exception.
  - Set-pending and clear-pending bits for the PendSV and SysTick exceptions.
- Indicates:
  - The exception number of the highest priority pending exception.

See the register summary in [Table 29. Summary of the SCB registers](#) for the ICSR attributes. The bit assignments are

31	30	29	28	27	26	25	24	23	22	21	20	19	18	17	16	
NMIPENDSET	Reserved		PENDSVSET	PENDSVCLR	PENDSTSET	PENDSTCLR	Reserved	ISRPREEMPT	ISRPENDING	Reserved	VECTPENDING[8:4]					
rw			rw	w	rw	w		r	r		r	r	r	r	r	
15	14	13	12	11	10	9	8	7	6	5	4	3	2	1	0	
VECTPENDING[3:0]				Reserved				VECTACTIVE[8:0]								
r	r	r	r					rw	rw	rw	rw	rw	rw	rw	rw	rw

Table 30. ICSR bit assignments

Bits	Name	Type	Function
[31]	NMIPENDSET	rw	NMI set-pending bit. Write: 0 = No effect. 1 = Changes NMI exception state to pending. Read: 0 = NMI exception is not pending. 1 = NMI exception is pending. Because NMI is the highest-priority exception, normally the processor enters the NMI exception handler as soon as it detects a write of 1 to this bit. Entering the handler then clears this bit to 0. This means a read of this bit by the NMI exception handler returns 1 only if the NMI signal is reasserted while the processor is executing that handler.
[30:29]	-	-	Reserved.
[28]	PENDSVSET	rw	PendSV set-pending bit. Write: 0 = No effect. 1 = Changes PendSV exception state to pending. Read: 0 = PendSV exception is not pending. 1 = PendSV exception is pending.

Bits	Name	Type	Function
			Writing 1 to this bit is the only way to set the PendSV exception state to pending.
[27]	PENDSVCLR	w	PendSV clear-pending bit. Write: 0 = No effect. 1 = Removes the pending state from the PendSV exception.
[26]	PENDSTSET	rw	SysTick exception set-pending bit. Write: 0 = No effect. 1 = Changes SysTick exception state to pending. Read: 0 = SysTick exception is not pending. 1 = SysTick exception is pending.
[25]	PENDSTCLR	w	SysTick exception clear-pending bit. Write: 0 = No effect. 1 = Removes the pending state from the SysTick exception. This bit is WO. On a register read its value is unknown.
[24]	-	-	Reserved.
[23]	ISRPREEMPT	r	Indicates whether a pending exception is serviced on exit from debug halt state: 0 = No service. 1 = Services a pending exception.
[22]	ISRPENDING	r	Indicates if an external configurable, NVIC generated, interrupt is pending: 0 = Interrupt is not pending. 1 = Interrupt is pending.
[21:9]	-	-	Reserved.
[20:12]	VECTPENDING	r	Indicates the exception number of the highest priority pending enabled exception: 0 = No pending exceptions. Nonzero = the exception number of the highest priority pending enabled exception. Subtract 16 from this value to obtain the CMSIS IRQ number that identifies the corresponding bit in the interrupt clear-enable, setenable, clear-pending, set-pending, and priority register, see <a href="#">Table 6. IPSR bit assignments</a> .
[11:9]	-	-	Reserved.
[8:0]	VECTACTIVE	r	Contains the active exception number: 0 = Thread mode Nonzero = The exception number of the currently active exception.

1. This is the same value as IPSR bits[5:0], [Table 6. IPSR bit assignments](#).

When the user writes to the ICSR, the effect is unpredictable if:

- write 1 to the PENDSVSET bit and write 1 to the PENDSVCLR bit
- write 1 to the PENDSTSET bit and write 1 to the PENDSTCLR bit.

#### 4.3.4 Vector table offset register

The VTOR indicates the offset of the vector table base address from memory address 0x00000000. See the register summary for its attributes.

The bit assignments are:

31	30	29	28	27	26	25	24	23	22	21	20	19	18	17	16
TBLOFF[31:16]															
rw		rw	rw	rw	rw	rw	rw	rw	rw	rw	rw	rw	rw	rw	rw
15	14	13	12	11	10	9	8	7	6	5	4	3	2	1	0
TBLOFF[15:7]									Reserved						
rw	rw	rw	rw	rw	rw	rw	rw	rw							

Bits 31:7 TBLOFF Vector table base offset field.  
It contains bits[31:7] of the offset of the table base from the bottom of the memory map.

Bits 6:0 Reserved

### 4.3.5 Application interrupt and reset control register

The AIRCR provides endian status for data accesses and reset control of the system. To write to this register, that must write  $0 \times 05FA$  to the VECTKEY field, otherwise the processor ignores the write.

The bit assignments are:

31	30	29	28	27	26	25	24	23	22	21	20	19	18	17	16
VECTKEYSTAT															
rw	rw	rw	rw	rw	rw	rw	rw	rw	rw	rw	rw	rw	rw	rw	rw
15	14	13	12	11	10	9	8	7	6	5	4	3	2	1	0
ENDIANESS	Reserved												SYS RESE T REQ	VECT CLR ACTIV E	Reserv ed
	r													w	

Bits 31:16 VECTKEY register key  
Register key:  
Reads as Unknown  
On writes, write  $0x05FA$  to VECTKEY, otherwise the write is ignored.

Bit 15 ENDIANESS Data endianness bit  
Reads as 0.  
0: Little-endian

Bits 14:3 Reserved

Bit 2 SYSRESETREQ system reset request:  
0: No effect  
1: Requests a system level reset.  
This bit reads as 0.

Bit 1 VECTCLRACTIVE  
Reserved for Debug use. This bit reads as 0. When writing to the register the user must write 0 to this bit, otherwise the behavior is unpredictable.

Bit 0 Reserved

### 4.3.6 System control register (SCR)

The SCR controls features of entry to and exit from the low power state. See the register summary in [Table 29. Summary of the SCB registers](#) for its attributes. The bit assignments are

31	30	29	28	27	26	25	24	23	22	21	20	19	18	17	16
Reserved															
15	14	13	12	11	10	9	8	7	6	5	4	3	2	1	0
Reserved											SEVONPEND	Res.	SLEEPDEEP	SLEEPONEXIT	Res.
											rw		rw	rw	

Bits 31:5 **Reserved**

Bit 4 **SEVONPEND** Send Event on Pending bit

0: Only enabled interrupts or events can wake up the processor, disabled interrupts are excluded.

1 = Enabled events and all interrupts, including disabled interrupts, can wake up the processor.

When an event or interrupt becomes pending, the event signal wakes up the processor from WFE. If the processor is not waiting for an event, the event is registered and affects the next WFE.

The processor also wakes up on execution of an SEV instruction or an external event.

Bit 3 **Reserved**, must be kept cleared

Bit 2 **SLEEPDEEP**

Controls whether the processor uses sleep or deep sleep as its low power mode:

0: Sleep

1: Deep sleep.

Bit 1 **SLEEPONEXIT**

Indicates sleep-on-exit when returning from Handler mode to Thread mode. Setting this bit to 1 enables an interrupt-driven application to avoid returning to an empty main application.

0: Do not sleep when returning to Thread mode.

1: Enter sleep, or deep sleep, on return from an ISR to thread mode.

Bit 0 **Reserved**, must be kept cleared

### 4.3.7 Configuration and control register (CCR)

The CCR is a read-only register and indicates some aspects of the behavior of the Cortex® M0+ processor. See the register summary in [Table 29. Summary of the SCB registers](#) for the CCR attributes.

The bit assignments are

31	30	29	28	27	26	25	24	23	22	21	20	19	18	17	16	
Reserved																
15	14	13	12	11	10	9	8	7	6	5	4	3	2	1	0	
Reserved						STKALIGN	BFHFNMIGN	Reserved				DIV0_TRP	UNALIGN_TRP	Res.	USERSETMPEND	NONBASETHRDENA
						rw	rw					rw	rw		rw	rw

Bits 31:10 **Reserved**, must be kept cleared

Bit 9 **STKALIGN**

Always reads as one, indicates 8-byte stack alignment on exception entry.

On exception entry, the processor uses bit[9] of the stacked PSR to indicate the stack alignment. On return from the exception it uses this stacked bit to restore the correct stack alignment.

Bits 8:4 **Reserved**, must be kept cleared

Bit 3 **UNALIGN\_TRP**  
Always reads as one, indicates that all unaligned accesses generate a HardFault.

Bit 2:0 Reserved, must be kept cleared

### 4.3.8 System handler priority registers

The SHPR2-SHPR3 registers set the priority level, 0 to 192, of the system exception handlers that have configurable priority.

SHPR2-SHPR3 are word accessible. See the register summary for their attributes.

To access the system exception priority level using CMSIS, use the following CMSIS functions:

- `uint32_t NVIC_GetPriority(IRQn_Type IRQn)`
- `void NVIC_SetPriority(IRQn_Type IRQn, uint32_t priority)`

The input parameter `IRQn` is the IRQ number. See [Section 2.3.2 Exception types](#) for more information.

The system handlers, and the priority field and register for each handler are:

**Table 31. System fault handler priority fields**

Handler	Field	Register description
SVCall	PRI_11	System handler priority register 2.
PendSV	PRI_14	System handler priority register 3.
SysTick	PRI_15	

Each `PRI_N` field is 8 bits wide, but the processor implements only bits[7:6] of each field, and bits[5:0] read as zero and ignore writes.

#### System handler priority register 2

The bit assignments are:

31	30	29	28	27	26	25	24	23	22	21	20	19	18	17	16
Reserved								PRI_6[7:4]				PRI_6[3:0]			
								rw	rw	rw	rw	r	r	r	r
15	14	13	12	11	10	9	8	7	6	5	4	3	2	1	0
PRI_5[7:4]				PRI_5[3:0]				PRI_4[7:4]				PRI_4[7:4]			
rw	rw	rw	rw	r	r	r	r	rw	rw	rw	rw	r	r	r	r

Bits 31:24 **PRI\_11**: Priority of system handler 11, SVCall.

Bits 23:0 Reserved, must be kept cleared

#### System handler priority register 3

The bit assignments are

31	30	29	28	27	26	25	24	23	22	21	20	19	18	17	16
PRI_15								PRI_14							
rw	rw	rw	rw	r	r	r	r	rw	rw	rw	rw	r	r	r	r
15	14	13	12	11	10	9	8	7	6	5	4	3	2	1	0
Reserved															

Bits 31:24 **PRI\_15**: Priority of system handler 15, SysTick exception. This is reserved when the SysTick timer is not implemented.

Bits 23:16 **PRI\_14**: Priority of system handler 14, PendSV

Bits 15:0 Reserved, must be kept cleared

### 4.3.9 SCB usage hints and tips

Ensure that software uses aligned 32-bit word size transactions to access all the SCB registers.

## 4.4 SysTick timer (STK)

When enabled, the timer counts down from the reload value to zero, reloads (wraps to) the value in the SYST\_RVR on the next clock cycle, then decrements on subsequent clock cycles. Writing a value of zero to the SYST\_RVR disables the counter on the next wrap. When the counter transitions to zero, the COUNTFLAG status bit is set to 1. Reading SYST\_CSR clears the COUNTFLAG bit to 0. Writing to the SYST\_CVR clears the register and the COUNTFLAG status bit to 0. The write does not trigger the SysTick exception logic. Reading the register returns its value at the time that it is accessed.

*Note:* When the processor is halted for debugging the counter does not decrement.  
The system timer registers are:

**Table 32. System timer registers summary**

Address	Name	Type	Required privilege	Reset value	Description
0xE000E010	STK_CSR	RW	Privileged	0x00000000	Section 4.4.1 SysTick control and status register (STK_CSR).
0xE000E014	STK_RVR	RW	Privileged	Unknown	Section 4.4.2 SysTick reload value register (STK_RVR).
0xE000E018	STK_CVR	RW	Privileged	Unknown	Section 4.4.3 SysTick current value register (STK_CVR).
0xE000E01C	STK_CALIB	RO	Privileged	0xC0000000	Section 4.4.4 SysTick calibration value register (STK_CALIB).

1. SysTick calibration value.

### 4.4.1 SysTick control and status register (STK\_CSR)

The SYST\_CSR enables the SysTick features. See the register summary in Table 32. System timer registers summary for its attributes. The bit assignments are:

31	30	29	28	27	26	25	24	23	22	21	20	19	18	17	16
Reserved															rc_r
15	14	13	12	11	10	9	8	7	6	5	4	3	2	1	0
Reserved													rw	rw	rw

Bits 31:17 Reserved, must be kept cleared.

Bit 16 **COUNTFLAG** Returns 1 if timer counted to 0 since the last read of this register.

Bits 15:3 Reserved, must be kept cleared.

Bit 2 **CLKSOURCE** Selects the SysTick timer clock source:  
0 = External reference clock.  
1 = Processor clock.

Bit 1 **TICKINT** Enables SysTick exception request:  
0 = Counting down to zero does not assert the SysTick exception request.  
1 = Counting down to zero asserts the SysTick exception request.

Bit 0      **ENABLE** Enables the counter:  
 0 = Counter disabled.  
 1 = Counter enabled.

#### 4.4.2 SysTick reload value register (STK\_RVR)

The STK\_RVR specifies the start value to load into the SYST\_CVR. See the register summary in [Table 32. System timer registers summary](#) for its attributes. The bit assignments are:

31	30	29	28	27	26	25	24	23	22	21	20	19	18	17	16
Reserved								RELOAD							
								rw	rw	rw	rw	rw	rw	rw	rw
15	14	13	12	11	10	9	8	7	6	5	4	3	2	1	0
RELOAD															
rw	rw	rw	rw	rw	rw	rw	rw	rw	rw	rw	rw	rw	rw	rw	rw

Bits31:24      Reserved, must be kept cleared.

Bits 23:0      **RELOAD** Value to load into the STK\_CVR when the counter is enabled and when it reaches 0, see [Calculating the RELOAD value](#).

#### Calculating the RELOAD value

The RELOAD value can be any value in the range  $0x00000001-0x00FFFFFF$ . The user can program a value of 0, but this has no effect because the SysTick exception request and COUNTFLAG are activated when counting from 1 to 0.

To generate a multi-shot timer with a period of N processor clock cycles, use a RELOAD value of N-1. For example, if the SysTick interrupt is required every 100 clock pulses, set RELOAD to 99.

#### 4.4.3 SysTick current value register (STK\_CVR)

The STK\_CVR contains the current value of the SysTick counter. See the register summary in [Table 32. System timer registers summary](#) for its attributes. The bit assignments are:

31	30	29	28	27	26	25	24	23	22	21	20	19	18	17	16
Reserved								CURRENT							
								rc_w	rc_w	rc_w	rc_w	rc_w	rc_w	rc_w	rc_w
15	14	13	12	11	10	9	8	7	6	5	4	3	2	1	0
CURRENT															
rc_w	rc_w	rc_w	rc_w	rc_w	rc_w	rc_w	rc_w	rc_w	rc_w	rc_w	rc_w	rc_w	rc_w	rc_w	rc_w

Bits31:24      Reserved, must be kept cleared.

Bits 23:0      **CURRENT** Reads return the current value of the SysTick counter.  
 A write of any value clears the field to 0, and also clears the SYST\_CSR.COUNTFLAG bit to 0.

#### 4.4.4 SysTick calibration value register (STK\_CALIB)

The STK\_CALIB register indicates the SysTick calibration properties. See the register summary in [Table 32. System timer registers summary](#) for its attributes. The bit assignments are:



31	30	29	28	27	26	25	24	23	22	21	20	19	18	17	16	
NO REF	SKEW	Reserved						TENMS[23:16]								
r	r							r	r	r	r	r	r	r	r	r
15	14	13	12	11	10	9	8	7	6	5	4	3	2	1	0	
TENMS[15:0]																
r	r	r	r	r	r	r	r	r	r	r	r	r	r	r	r	

Bit 31	<b>NOREF:</b> Reads as zero. Indicates that separate reference clock is provided. The frequency of this clock is HCLK/8.
Bit 30	<b>SKEW:</b> Reads as one. Calibration value for the 1ms inexact timing is not known because TENMS is not known. This can affect the suitability of SysTick as a software real time clock.
Bits 29:24	Reserved, must be kept cleared.
Bits 23:0	<b>TENMS[23:0]:</b> Indicates the calibration value when the SysTick counter runs on HCLK max/8 as external clock. The value is product dependent, please refer to the Product Reference Manual, SysTick Calibration Value section. When HCLK is programmed at the maximum frequency, the SysTick period is 1ms.

If calibration information is not known, calculate the calibration value required from the frequency of the processor clock or external clock.

#### 4.4.5 SysTick usage hints and tips

The interrupt controller clock updates the SysTick counter. If this clock signal is stopped for low power mode, the SysTick counter stops.

Ensure software uses word accesses to access the SysTick registers.

If the SysTick counter reload and current value are undefined at reset, the correct initialization sequence for the SysTick counter is:

1. Program reload value.
2. Clear current value.
3. Program Control and Status register.

### 4.5 Memory protection unit

This section describes the memory protection unit (MPU).

The MPU can divide the memory map into a number of regions, and defines the location, size, access permissions, and memory attributes of each region. It supports:

- Independent attribute settings for each region.
- Overlapping regions.
- Export of memory attributes to the system.

The memory attributes affect the behavior of memory accesses to the region. The Cortex<sup>®</sup>M0+ MPU defines:

- Eight separate memory regions, 0-7.
- A background region.

When memory regions overlap, a memory access is affected by the attributes of the region with the highest number. For example, the attributes for region 7 take precedence over the attributes of any region that overlaps region 7.

The background region has the same memory access attributes as the default memory map, but is accessible from privileged software only.

The Cortex<sup>®</sup>-M0+ MPU memory map is unified. This means instruction accesses and data accesses have same region settings.

If a program accesses a memory location that is prohibited by the MPU, the processor generates a HardFault exception.

In an OS environment, the kernel can update the MPU region setting dynamically based on the process to be executed. Typically, an embedded OS uses the MPU for memory protection.

Configuration of MPU regions is based on memory types, see [Section 2.2.1 Memory regions, types, and attributes](#).

[Table 33. Memory attributes summary](#) shows the possible MPU region attributes. These include Shareability and cache behavior attributes that are not relevant to most microcontroller implementations. See [MPU configuration for a microcontroller](#) for guidelines for programming such an implementation.

**Table 33. Memory attributes summary**

Memory type	Shareability	Other attributes	Description
Strongly-ordered	-	-	All accesses to Strongly-ordered memory occur in program order. All Strongly-ordered regions are assumed to be shared.
Device	Shared	-	Memory-mapped peripherals that several processors share.
	Nonshared	-	Memory-mapped peripherals that only a single processor uses.
Normal	Shared	Noncacheable Write-through Cacheable Write-back Cacheable	Normal memory that is shared between several processors.
	Nonshared	Noncacheable Write-through Cacheable Write-back Cacheable	Normal memory that only a single processor uses.

Use the MPU registers to define the MPU regions and their attributes. [Table 34. MPU registers summary](#) shows the MPU registers.

**Table 34. MPU registers summary**

Address	Name	Type	Reset value	Description
0xE000ED90	MPU_TYPE	RO	0x00000000 or 0x00000800	<a href="#">Section 4.5.1 MPU type register</a> .
0xE000ED94	MPU_CTRL	RW	0x00000000	<a href="#">Section 4.5.2 MPU control register</a> .
0xE000ED98	MPU_RNR	RW	Unknown	<a href="#">Section 4.5.3 MPU region number register</a> .
0xE000ED9C	MPU_RBAR	RW	Unknown	<a href="#">Section 4.5.4 MPU region base address register</a> .
0xE000EDA0	MPU_RASR	RW	Unknown	<a href="#">Section 4.5.5 MPU region attribute and size register</a> .

1. Software can read the MPU type register to test for the presence of a memory *protection unit* (MPU). See [Section 4.5.1 MPU type register](#)

### 4.5.1 MPU type register

The MPU\_TYPE register indicates whether the MPU is present, and if so, how many regions it supports. See the register summary in [Table 34. MPU registers summary](#) for its attributes. The bit assignments are:

31	30	29	28	27	26	25	24	23	22	21	20	19	18	17	16
Reserved								IREGION[7:0]							
								r	r	r	r	r	r	r	r
15	14	13	12	11	10	9	8	7	6	5	4	3	2	1	0
DREGION[7:0]								Reserved							SEPA RATE
r	r	r	r	r	r	r	r								r

Bits 31:24	<b>Reserved.</b>
Bits 23:16	<b>IREGION[7:0]:</b> Indicates the number of supported MPU instruction regions. Always contains 0x00. The MPU memory map is unified and is described by the DREGION field.
Bits 15:8	<b>DREGION[7:0]:</b> Indicates the number of supported MPU data regions: 0x00 = Zero regions if the device does not include the MPU. 0x08 = Eight regions if the device includes the MPU.
Bits 7:1	<b>Reserved.</b>
Bit 0	<b>SEPARATE:</b> Indicates support for unified or separate instruction and data memory maps: 0 = Unified.

#### 4.5.2 MPU control register

The MPU\_CTRL register:

- Enables the MPU.
- Enables the default memory map background region.
- Enables use of the MPU when in the HardFault or Non-Maskable Interrupt (NMI) handler.

See the register summary in [Table 34. MPU registers summary](#) for the MPU\_CTRL attributes. The bit assignments are:

31	30	29	28	27	26	25	24	23	22	21	20	19	18	17	16
Reserved															
15	14	13	12	11	10	9	8	7	6	5	4	3	2	1	0
Reserved													PRIVDEFENA	HFNMIENA	ENABLE
													rw	rw	rw

Bits 31:3	<b>Reserved, forced by hardware to 0.</b>
Bit 2	<b>PRIVDEFENA:</b> Enable privileged software access to default memory map. 0: If the MPU is enabled, disables use of the default memory map. Any memory access to a location not covered by any enabled region causes a fault. 1: If the MPU is enabled, enables use of the default memory map as a background region for privileged software accesses. When enabled, the background region acts as if it is region number -1. Any region that is defined and enabled has priority over this default map. If the MPU is disabled, the processor ignores this bit.
Bit 1	<b>HFNMIENA:</b> Enables the operation of MPU during HardFault and NMI handlers. When the MPU is enabled: 0 = MPU is disabled during HardFault and NMI handlers, regardless of the value of the ENABLE bit. 1 = the MPU is enabled during HardFault and NMI handlers. When the MPU is disabled, if this bit is set to 1 the behavior is Unpredictable.
Bit 0	<b>ENABLE:</b> Enables the MPU 0: MPU disabled 1: MPU enabled

When ENABLE and PRIVDEFENA are both set to 1:

- For privileged accesses, the default memory map is as described in [Section 4.5 Memory protection unit](#). Any access by privileged software that does not address an enabled memory region behaves as defined by the default memory map.

- Any access by unprivileged software that does not address an enabled memory region causes a MemManage fault.

XN and Strongly ordered rules always apply to the System Control Space regardless of the value of the ENABLE bit.

When the ENABLE bit is set to 1, at least one region of the memory map must be enabled for the system to function unless the PRIVDEFENA bit is set to 1. If the PRIVDEFENA bit is set to 1 and no regions are enabled, then only privileged software can operate.

When the ENABLE bit is set to 0, the system uses the default memory map. This has the same memory attributes as if the MPU is not implemented, see [Section 2.2 Memory model](#). The default memory map applies to accesses from both privileged and unprivileged software.

When the MPU is enabled, accesses to the System Control Space, and vector table are always permitted. Other areas are accessible based on regions and whether PRIVDEFENA is set to 1.

Unless HFNMIENA is set to 1, the MPU is not enabled when the processor is executing the handler for an exception with priority -1 or -2. These priorities are only possible when handling a HardFault or NMI exception. Setting the HFNMIENA bit to 1 enables the MPU when operating with these two priorities.

### 4.5.3 MPU region number register

The MPU\_RNR selects which memory region is referenced by the MPU\_RBAR and MPU\_RASR registers. See the register summary in [Table 34. MPU registers summary](#) for its attributes. The bit assignments are:

31	30	29	28	27	26	25	24	23	22	21	20	19	18	17	16
Reserved															
15	14	13	12	11	10	9	8	7	6	5	4	3	2	1	0
Reserved								REGION							

Bits31:8 Reserved, must be kept cleared.

Bits 7:0 **REGION** Indicates the MPU region referenced by the MPU\_RBAR and MPU\_RASR registers. The MPU supports 8 memory regions, so the permitted values of this field are 0-7.

Normally, the user writes the required region number to this register before accessing the MPU\_RBAR or MPU\_RASR. However, the user can change the region number by writing to the MPU\_RBAR with the VALID bit set to 1, see [Section 4.5.4 MPU region base address register](#). This write updates the value of the REGION field.

### 4.5.4 MPU region base address register

The MPU\_RBAR defines the base address of the MPU region selected by the MPU\_RNR, and writes to this register can update the value of the MPU\_RNR. See the register summary in [Table 34. MPU registers summary](#) for its attributes.

Write MPU\_RBAR with the VALID bit set to 1 to change the current region number and update the MPU\_RNR. The bit assignments are:

31	30	29	28	27	26	25	24	23	22	21	20	19	18	17	16
ADDR[31:N]...															
rw	rw	rw	rw	rw	rw	rw	rw	rw	rw	rw	rw	rw	rw	rw	rw
15	14	13	12	11	10	9	8	7	6	5	4	3	2	1	0
...ADDR[31:N]											VALID	REGION[3:0]			
rw	rw	rw	rw	rw	rw	rw	rw	rw	rw	rw	rw	rw	rw	rw	rw

Bits 31:N **ADDR[31:N]**: Region base address field  
The value of N depends on the region size.  
For more information, see [The ADDR field](#)

Bits N-1:5 **Reserved, forced by hardware to 0.**

Bit 4 **VALID:** MPU region number valid

**Write:**

0: MPU\_RNR register not changed, and the processor:  
Updates the base address for the region specified in the MPU\_RNR  
Ignores the value of the REGION field

1: the processor:  
updates the value of the MPU\_RNR to the value of the REGION field  
updates the base address for the region specified in the REGION field.

**Read:**

Always read as zero.

Bits 3:0 **REGION[3:0]:** MPU region field

For the behavior on writes, see the description of the VALID field.

On reads, returns the current region number, as specified by the MPU\_RNR register.

If the region size is 32B, the ADDR field is bits [31:5], and there is no reserved field.

#### The ADDR field

The ADDR field is bits[31:N] of the MPU\_RBAR. The region size, as specified by the SIZE field in the MPU\_RASR, defines the value of N:

$N = \text{Log}_2(\text{region size in bytes})$ ,

If the region size is configured to 4GB, in the MPU\_RASR, there is no valid ADDR field. In this case, the region occupies the complete memory map, and the base address is  $0 \times 00000000$ .

The base address must be aligned to the size of the region. For example, a 64KB region must be aligned on a multiple of 64KB, for example, at  $0 \times 00010000$  or  $0 \times 00020000$ .

### 4.5.5 MPU region attribute and size register

The MPU\_RASR defines the region size and memory attributes of the MPU region specified by the MPU\_RNR, and enables that region and any subregions. See the register summary in [Table 33. Memory attributes summary](#) for its attributes.

The bit assignments are:

31	30	29	28	27	26	25	24	23	22	21	20	19	18	17	16
Reserved			XN	Reserv ed	AP[2:0]			Reserved					S	C	B
			rw		rw	rw	rw			rw	rw	rw	rw	rw	rw
15	14	13	12	11	10	9	8	7	6	5	4	3	2	1	0
SRD[7:0]								Reserved		SIZE					EN ABLE
rw	rw	rw	rw	rw	rw	rw	rw			rw	rw	rw	rw	rw	rw

Bits 31:29 **Reserved**

Bit 28 **XN:** Instruction access disable bit:  
0 = Instruction fetches enabled.  
1 = Instruction fetches disabled.

Bit 27 **Reserved, forced by hardware to 0.**

Bits 26:24 **AP[2:0]:** Access permission field, see [Table 37. AP encoding](#)

Bits 23:19 **Reserved, forced by hardware to 0.**

Bit 18 **S: Shareable bit** see [Table 36. C, B, and S encoding](#)

Bit 17	<b>C: Cacheable</b> bit see <a href="#">Table 37. AP encoding</a>
Bit 16	<b>B: Bufferable</b> bit, see <a href="#">Table 36. C, B, and S encoding</a>
Bits 15:8	<b>SRD:</b> Subregion disable bits. For each bit in this field: 0 = Corresponding sub-region is enabled. 1 = Corresponding sub-region is disabled. See <a href="#">Subregions</a> for more information.
Bits 7:6	<b>Reserved, forced by hardware to 0.</b>
Bits 5:1	<b>SIZE:</b> Size of the MPU protection region. Specifies the size of the MPU region. The minimum permitted value is 7 (b00111). See <a href="#">SIZE field values</a> for more information
Bit 0	<b>ENABLE:</b> Region enable bit. The region enable bit of all regions is reset to 0. This allows the user to program only the regions he want enabled.

For information about access permission, see [Section 4.5.6 MPU access permission attributes](#).

### SIZE field values

The SIZE field defines the size of the MPU memory region specified by the MPU\_RNR as follows:

$$(\text{Region size in bytes}) = 2^{(\text{SIZE}+1)}$$

The smallest permitted region size is 256B, corresponding to a SIZE value of 7. [Table 35. Example SIZE field values](#) gives example SIZE values, with the corresponding region size and value of N in the MPU\_RBAR.

**Table 35. Example SIZE field values**

SIZE value	Region size	Value of N	Note
b00111 (7)	256B	8	Minimum permitted size.
b01001 (9)	1KB	10	-
b10011 (19)	1MB	20	-
b11101 (29)	1GB	30	-
b11111 (31)	4GB	32	Maximum possible size.

1. In the MPU\_RBAR, see [Section 4.5.4 MPU region base address register](#).

### 4.5.6 MPU access permission attributes

This section describes the MPU access permission attributes. The access permission bits, C, B, S, AP, and XN, of the MPU\_RASR, control access to the corresponding memory region. If an access is made to an area of memory without the required permissions, then the MPU generates a permission fault.

[Table 36. C, B, and S encoding](#) shows the encodings for the C, B, and S access permission bits.

**Table 36. C, B, and S encoding**

C	B	S	Memory type	Shareability	Other attributes
0	0	-(1)	Strongly-ordered	Shareable	-
	1	-(1)	Device	Shareable	-
1	0	0	Normal	Not shareable	Outer and inner write-through. No write allocate.
		1		Shareable	
	1	0	Normal	Not shareable	Outer and inner write-back. No write allocate.
		1		Shareable	

1. The MPU ignores the value of this bit.

Table 37. AP encoding shows the AP encodings that define the access permissions for privileged and unprivileged software.

Table 37. AP encoding

AP[2:0]	Privileged permissions	Unprivileged permissions	Description
000	No access	No access	All accesses generate a permission fault.
001	RW	No access	Access from privileged software only.
010	RW	RO	Writes by unprivileged software generate a permission fault.
011	RW	RW	Full access.
100	Unpredictable	Unpredictable	Reserved.
101	RO	No access	Reads by privileged software only.
110	RO	RO	Read only, by privileged or unprivileged software.
111	RO	RO	Read only, by privileged or unprivileged software.

#### 4.5.7 MPU mismatch

When the access violates the MPU permissions, the processor generates a HardFault.

#### 4.5.8 Updating an MPU region

To update the attributes for an MPU region, update the MPU\_RNR, MPU\_RBAR and MPU\_RASR registers.

##### Updating an MPU region

Simple code to configure one region:

```

; R1 = region number

; R2 = size/enable

; R3 = attributes

; R4 = address

LDR R0,=MPU_RNR      ; 0xE000ED98, MPU region number register

STR R1, [R0, #0x0]   ; Region number

STR R4, [R0, #0x4]   ; Region base address

STRH R2, [R0, #0x8]  ; Region size and enable

STRH R3, [R0, #0xA]  ; Region attribute

```

Software must use memory barrier instructions:

- Before MPU setup if there might be outstanding memory transfers, such as buffered writes that might be affected by the change in MPU settings.
- After MPU setup if it includes memory transfers that must use the new MPU settings.

However, an instruction synchronization barrier instruction is not required if the MPU setup process starts by entering an exception handler, or is followed by an exception return, because the exception entry and exception return mechanism cause memory barrier behavior.

For example, if the user wants all of the memory access behavior to take effect immediately after the programming sequence, use a DSB instruction and an ISB instruction. A DSB is required after changing MPU settings, such as at the end of context switch. An ISB is required if the code that programs the MPU region or regions is entered using a branch or call. If the programming sequence is entered using a return from exception, or by taking an exception, then that do not require an ISB.

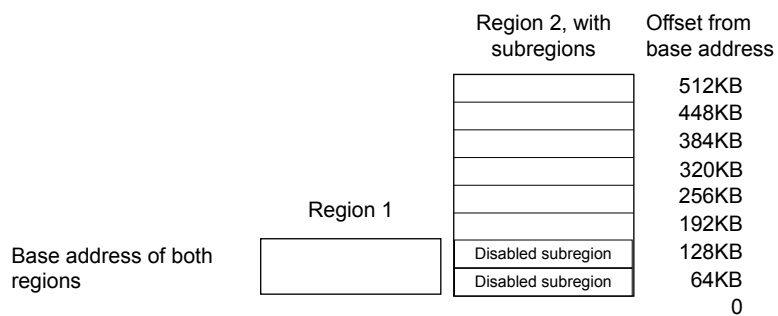
### Subregions

Regions are divided into eight equal-sized subregions. Set the corresponding bit in the SRD field of the MPU\_RASR to disable a subregion, see [Section 4.5.5 MPU region attribute and size register](#). The least significant bit of SRD controls the first subregion, and the most significant bit controls the last subregion. Disabling a subregion means another region overlapping the disabled range matches instead. If no other enabled region overlaps the disabled subregion the MPU issues a fault.

### Example of SRD use

Two regions with the same base address overlap. Region one is 128KB, and region two is 512KB. To ensure the attributes from region one apply to the first 128KB region, set the SRD field for region two to `b00000011` to disable the first two subregions, as the figure shows.

**Figure 15. Example of SRD use**



DT33835V1

### 4.5.9 MPU design hints and tips

To avoid unexpected behavior, disable the interrupts before updating the attributes of a region that the interrupt handlers might access.

When setting up the MPU, and if the MPU has previously been programmed, disable unused regions to prevent any previous region settings from affecting the new MPU setup.

### MPU configuration for a microcontroller

Usually, a microcontroller system has only a single processor and no caches. In such a system, program the MPU as follows:

**Table 38. Memory region attributes for a microcontroller**

Memory region	C	B	S	Memory type and attributes
Flash memory	1	0	0	Normal memory, Non-shareable, write-through.
Internal SRAM	1	0	1	Normal memory, Shareable, write-through.
External SRAM	1	1	1	Normal memory, Shareable, write-back, write-allocate.
Peripherals	0	1	1	Device memory, Shareable.



In most microcontroller implementations, the shareability and cache policy attributes do not affect the system behavior. However, using these settings for the MPU regions can make the application code more portable. The values given are for typical situations. In special systems, such as multiprocessor designs or designs with a separate DMA engine, the shareability attribute might be important. In these cases refer to the recommendations of the memory device manufacturer.

## 4.6 I/O Port

Cortex<sup>®</sup>-M0+ implements a dedicated I/O port for high-speed, low-latency access to peripherals. The I/O port is memory mapped and supports all the load and store instructions given in [Section 3.4 Memory access instructions](#). The I/O port does not support code execution.

The general-purpose I/Os are accessed through the I/O port.

The MPU can protect the I/O port.

## Revision history

**Table 39. Document revision history**

Date	Revision	Changes
15-Apr-2014	1	Initial release.
16-Jun-2017	2	Updated section 2.3.4: Vector table
19-Jan-2018	3	Updated section 3.5.1: ADC, ADD, RSB, SBC, and SUB.
25-Oct-2018	4	Added STM32G0 series.
10-Oct-2019	5	Added STM32WL and STM32WB series.
09-Dec-2022	6	Updated: <ul style="list-style-type: none"> <li>• Introduction</li> <li>• Table 14: Exception return behavior</li> <li>• Table 26: NVIC register summary</li> <li>• Table 31: ICSR bit assignments</li> </ul>
09-May-2023	7	Updated: <ul style="list-style-type: none"> <li><a href="#">Section Introduction</a></li> <li><a href="#">Section 1 About this document</a></li> </ul> Applied minor changes to the whole document.

## Contents

<b>1</b>	<b>About this document</b>	<b>2</b>
1.1	Typographical conventions	2
1.2	List of abbreviations for registers	2
1.3	About the Cortex <sup>®</sup> M0+ processor and core peripherals	2
1.3.1	System-level interface	4
1.3.2	Integrated configurable debug	4
1.3.3	Cortex <sup>®</sup> -M0+ processor feature summary	4
1.3.4	Cortex <sup>®</sup> -M0+ core peripherals	4
<b>2</b>	<b>Cortex<sup>®</sup>-M0+ processor</b>	<b>5</b>
2.1	Programmers model	5
2.1.1	Processor modes and privilege levels for software execution	5
2.1.2	Stacks	5
2.1.3	Core registers	5
2.1.4	Exceptions and interrupts	10
2.1.5	Data types	10
2.1.6	Cortex <sup>®</sup> microcontroller software interface standard	11
2.2	Memory model	11
2.2.1	Memory regions, types, and attributes	12
2.2.2	Memory system ordering of memory accesses	13
2.2.3	Behavior of memory accesses	13
2.2.4	Additional memory access constraints for caches and shared memory	14
2.2.5	Software ordering of memory accesses	14
2.2.6	Memory endianness	15
2.3	Exception model	15
2.3.1	Exception states	15
2.3.2	Exception types	16
2.3.3	Exception handlers	17
2.3.4	Vector table	17
2.3.5	Exception priorities	18
2.3.6	Exception entry and return	19
2.4	Fault handling	20
2.4.1	Lockup	21
2.5	Power management	21
2.5.1	Entering sleep mode	21
2.5.2	Wake-up from sleep mode	22

2.5.3	The external event input .....	22
2.5.4	Power management programming hints .....	22
<b>3</b>	<b>Cortex<sup>®</sup>-M0+ instruction set .....</b>	<b>23</b>
3.1	Instruction set summary .....	23
3.2	Intrinsic functions .....	24
3.3	About the instruction descriptions .....	25
3.3.1	Operands .....	25
3.3.2	Restrictions when using PC or SP .....	25
3.3.3	Shift operations .....	26
3.3.4	Address alignment .....	27
3.3.5	PCrelative expressions .....	28
3.3.6	Conditional execution .....	28
3.4	Memory access instructions .....	29
3.4.1	ADR .....	29
3.4.2	LDR and STR, immediate offset .....	30
3.4.3	LDR and STR, register offset .....	31
3.4.4	LDR, PCrelative .....	32
3.4.5	LDM and STM .....	32
3.4.6	PUSH and POP .....	33
3.5	General data processing instructions .....	34
3.5.1	ADC, ADD, RSB, SBC, and SUB .....	35
3.5.2	AND, ORR, EOR, and BIC .....	37
3.5.3	ASR, LSL, LSR, and ROR .....	37
3.5.4	CMP and CMN .....	38
3.5.5	MOV and MVN .....	39
3.5.6	MULS .....	40
3.5.7	REV, REV16, and REVSH .....	41
3.5.8	SXT and UXT .....	41
3.5.9	TST .....	42
3.6	Branch and control instructions .....	43
3.6.1	B, BL, BX, and BLX .....	43
3.7	Miscellaneous instructions .....	44
3.7.1	BKPT .....	45
3.7.2	CPS .....	45
3.7.3	DMB .....	46
3.7.4	DSB .....	46
3.7.5	ISB .....	47

3.7.6	MRS .....	47
3.7.7	MSR .....	48
3.7.8	NOP .....	48
3.7.9	SEV .....	49
3.7.10	SVC .....	49
3.7.11	WFE .....	49
3.7.12	WFI .....	50
<b>4</b>	<b>Cortex<sup>®</sup>-M0+ core peripherals .....</b>	<b>51</b>
4.1	About the Cortex <sup>®</sup> -M0+ core peripherals .....	51
4.2	Nested vectored interrupt controller .....	51
4.2.1	Accessing the Cortex <sup>®</sup> -M0+ NVIC registers using CMSIS .....	52
4.2.2	Interrupt set-enable register .....	52
4.2.3	Interrupt clear-enable register .....	53
4.2.4	Interrupt set-pending register .....	53
4.2.5	Interrupt clear-pending register .....	54
4.2.6	Interrupt priority registers .....	54
4.2.7	Level-sensitive and pulse interrupts .....	55
4.2.8	NVIC usage hints and tips .....	56
4.3	System control Block .....	57
4.3.1	The CMSIS mapping of the Cortex-M0+ SCB registers .....	57
4.3.2	CPUID register .....	57
4.3.3	Interrupt control and state register (ICSR) .....	58
4.3.4	Vector table offset register .....	59
4.3.5	Application interrupt and reset control register .....	60
4.3.6	System control register (SCR) .....	60
4.3.7	Configuration and control register (CCR) .....	61
4.3.8	System handler priority registers .....	62
4.3.9	SCB usage hints and tips .....	63
4.4	SysTick timer (STK) .....	63
4.4.1	SysTick control and status register (STK_CSR) .....	63
4.4.2	SysTick reload value register (STK_RVR) .....	64
4.4.3	SysTick current value register (STK_CVR) .....	64
4.4.4	SysTick calibration value register (STK_CALIB) .....	64
4.4.5	SysTick usage hints and tips .....	65
4.5	Memory protection unit .....	65
4.5.1	MPU type register .....	66
4.5.2	MPU control register .....	67

---

4.5.3	MPU region number register . . . . .	68
4.5.4	MPU region base address register . . . . .	68
4.5.5	MPU region attribute and size register . . . . .	69
4.5.6	MPU access permission attributes . . . . .	70
4.5.7	MPU mismatch . . . . .	71
4.5.8	Updating an MPU region . . . . .	71
4.5.9	MPU design hints and tips . . . . .	72
4.6	I/O Port . . . . .	73
<b>Revision history . . . . .</b>		<b>74</b>
<b>List of tables . . . . .</b>		<b>79</b>
<b>List of figures . . . . .</b>		<b>80</b>

## List of tables

<b>Table 1.</b>	Applicable products . . . . .	1
<b>Table 2.</b>	Summary of processor mode, execution privilege level, and stack use options. . . . .	5
<b>Table 3.</b>	Core register set summary . . . . .	6
<b>Table 4.</b>	PSR register combinations . . . . .	7
<b>Table 5.</b>	APSR bit assignment . . . . .	8
<b>Table 6.</b>	IPSR bit assignments . . . . .	8
<b>Table 7.</b>	EPSR bit assignments . . . . .	9
<b>Table 8.</b>	PRIMASK register bit assignments. . . . .	9
<b>Table 9.</b>	Control register bit assignments. . . . .	10
<b>Table 10.</b>	Memory access behavior . . . . .	13
<b>Table 11.</b>	Memory region shareability and cache policies . . . . .	14
<b>Table 12.</b>	Properties of the different exception types. . . . .	16
<b>Table 13.</b>	Exception return behavior . . . . .	20
<b>Table 14.</b>	Cortex <sup>®</sup> -M0+ instructions . . . . .	23
<b>Table 15.</b>	CMSIS intrinsic functions to generate some Cortex <sup>®</sup> -M0+ instructions . . . . .	24
<b>Table 16.</b>	CMSIS intrinsic functions to access the special registers. . . . .	25
<b>Table 17.</b>	Condition code suffixes. . . . .	29
<b>Table 18.</b>	Memory access instructions . . . . .	29
<b>Table 19.</b>	Data processing instructions . . . . .	34
<b>Table 20.</b>	ADC, ADD, RSB, SBC and SUB operand restrictions . . . . .	36
<b>Table 21.</b>	Branch and control instructions . . . . .	43
<b>Table 22.</b>	Branch ranges. . . . .	44
<b>Table 23.</b>	Miscellaneous instructions . . . . .	44
<b>Table 24.</b>	Core peripheral register regions. . . . .	51
<b>Table 25.</b>	NVIC register summary. . . . .	52
<b>Table 26.</b>	CMSIS access NVIC functions. . . . .	52
<b>Table 27.</b>	NVIC_IPRx bit assignments . . . . .	55
<b>Table 28.</b>	CMSIS functions for NVIC control . . . . .	56
<b>Table 29.</b>	Summary of the SCB registers. . . . .	57
<b>Table 30.</b>	ICSR bit assignments. . . . .	58
<b>Table 31.</b>	System fault handler priority fields . . . . .	62
<b>Table 32.</b>	System timer registers summary . . . . .	63
<b>Table 33.</b>	Memory attributes summary . . . . .	66
<b>Table 34.</b>	MPU registers summary . . . . .	66
<b>Table 35.</b>	Example SIZE field values . . . . .	70
<b>Table 36.</b>	C, B, and S encoding . . . . .	70
<b>Table 37.</b>	AP encoding . . . . .	71
<b>Table 38.</b>	Memory region attributes for a microcontroller . . . . .	72
<b>Table 39.</b>	Document revision history . . . . .	74

## List of figures

Figure 1.	Cortex <sup>®</sup> -M0+ implementation . . . . .	3
Figure 2.	Processor core registers . . . . .	6
Figure 3.	APSR, IPSR, and EPSR bit assignments . . . . .	7
Figure 4.	Control bit assignment . . . . .	10
Figure 5.	Memory map . . . . .	12
Figure 6.	Ordering of memory accesses . . . . .	13
Figure 7.	Little-endian format example . . . . .	15
Figure 8.	Vector table . . . . .	18
Figure 9.	Stack frame . . . . .	19
Figure 10.	ASR#3 . . . . .	26
Figure 11.	LSR#3 . . . . .	26
Figure 12.	LSL #3 . . . . .	27
Figure 13.	ROR #3 . . . . .	27
Figure 14.	Priority fields . . . . .	55
Figure 15.	Example of SRD use . . . . .	72



**IMPORTANT NOTICE – READ CAREFULLY**

STMicroelectronics NV and its subsidiaries (“ST”) reserve the right to make changes, corrections, enhancements, modifications, and improvements to ST products and/or to this document at any time without notice. Purchasers should obtain the latest relevant information on ST products before placing orders. ST products are sold pursuant to ST’s terms and conditions of sale in place at the time of order acknowledgment.

Purchasers are solely responsible for the choice, selection, and use of ST products and ST assumes no liability for application assistance or the design of purchasers’ products.

No license, express or implied, to any intellectual property right is granted by ST herein.

Resale of ST products with provisions different from the information set forth herein shall void any warranty granted by ST for such product.

ST and the ST logo are trademarks of ST. For additional information about ST trademarks, refer to [www.st.com/trademarks](http://www.st.com/trademarks). All other product or service names are the property of their respective owners.

Information in this document supersedes and replaces information previously supplied in any prior versions of this document.

© 2023 STMicroelectronics – All rights reserved