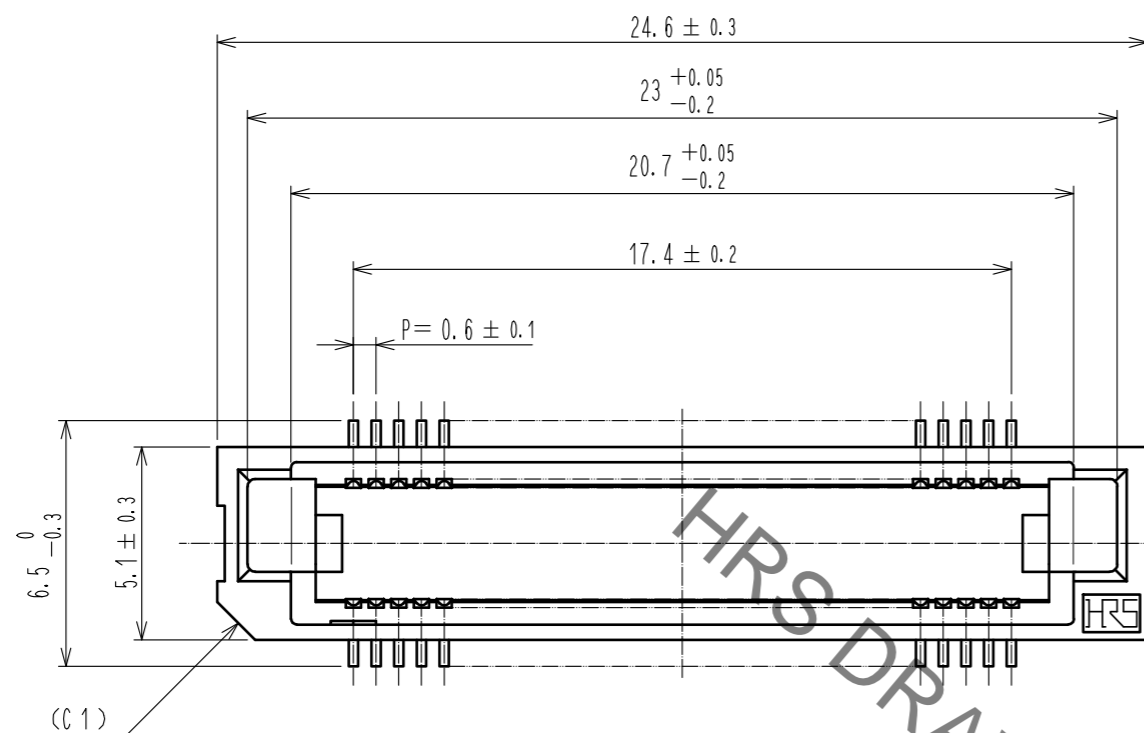
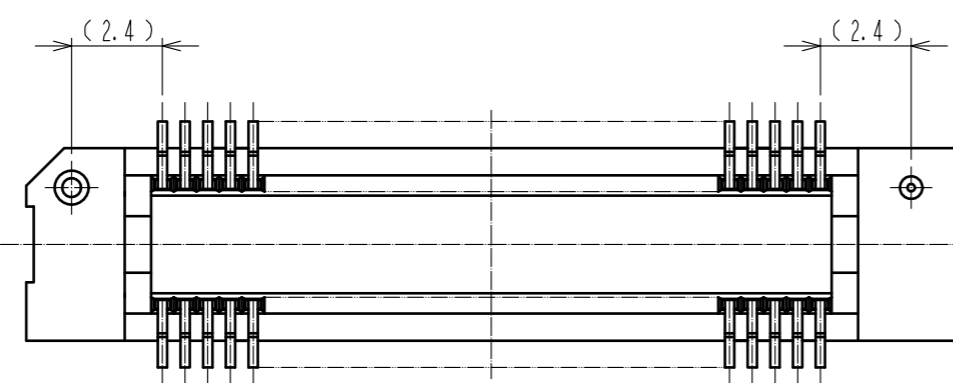
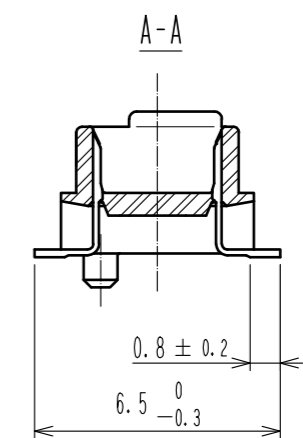
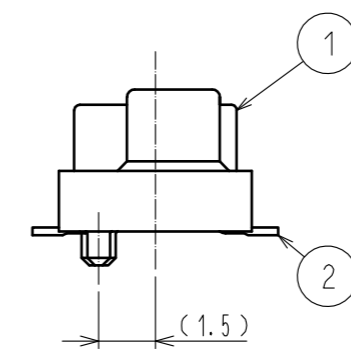
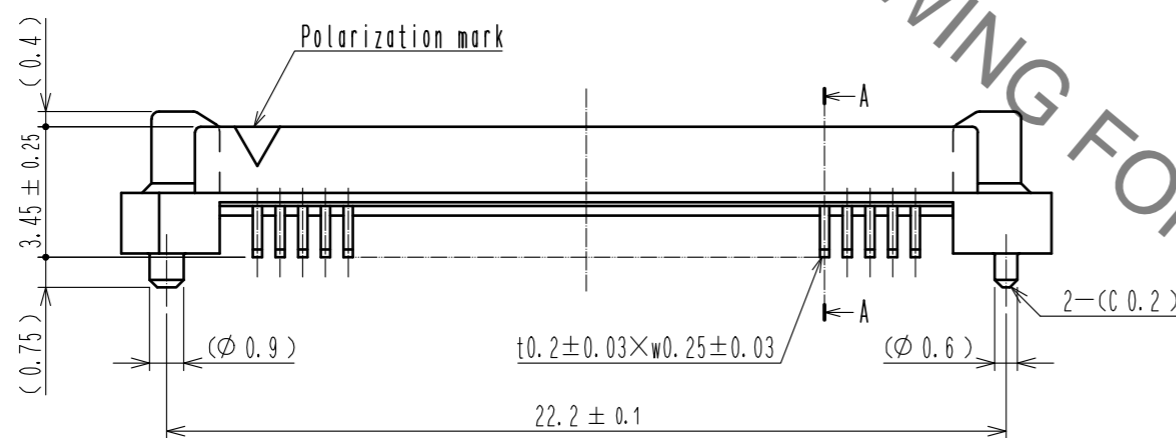
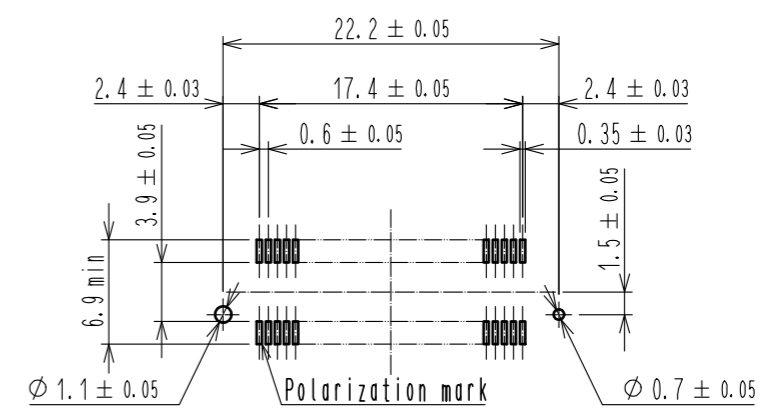


May.1.2023 Copyright 2023 HIROSE ELECTRIC CO., LTD. All Rights Reserved.
In case of consideration for using Automotive equipment / device which demand high reliability, kindly contact our sales window correspondents.



Recommended land pattern dimension of PCB (mounting side) (2:1)



- Notes 1 Lead CO-PLANARITY shall be 0.1mm max.
2 For modification, etc., preventive hole for sink mark may be added according to circumstances.
3 The dimensions in parentheses are for reference.

1	PPS	Light brown (UL94V-0)	2	PHOSPHOR BRONZE	Contact area : Gold 0.1µm min. Lead area : Tin-plating 1µm min. Under plating : Nickel 1µm min.
NO.	MATERIAL	FINISH . REMARKS	NO.	MATERIAL	FINISH . REMARKS
UNITS mm		SCALE 5 : 1	COUNT 1	DESCRIPTION OF REVISIONS DIS-F-00006411	DESIGNED KS. NAKAJIMA
APPROVED : HS. OKAWA		20051124	DRAWING NO. EDC-150569-71-25		
CHECKED : HS. OZAWA		20051124	PART NO. FX8-60P-SV1(71)		
DESIGNED : TK. YANAGISAWA		20051122	CODE NO. CL578-0041-0-71		
DRAWN : TK. YANAGISAWA		20051122	1/2		

Added precaution

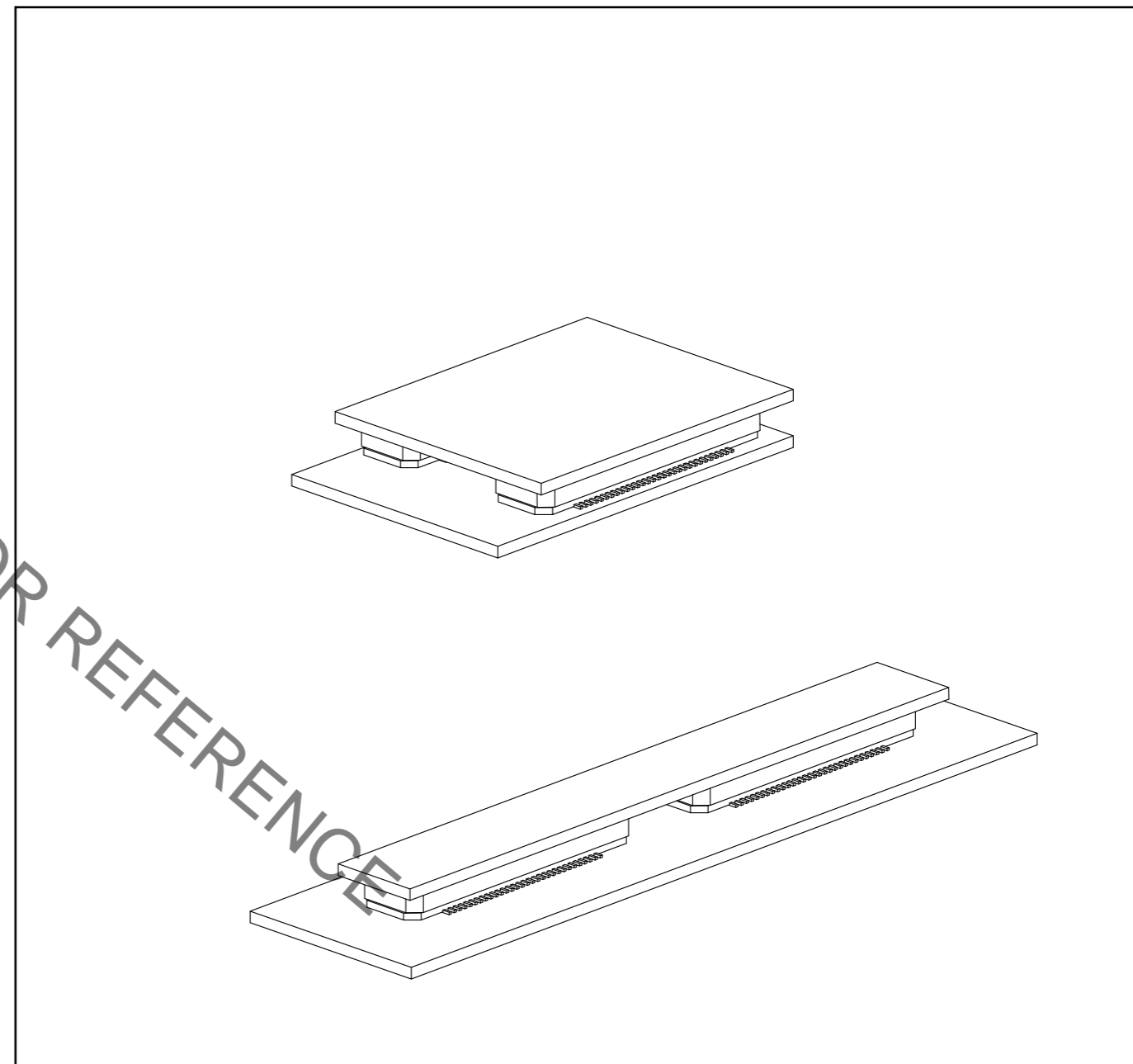
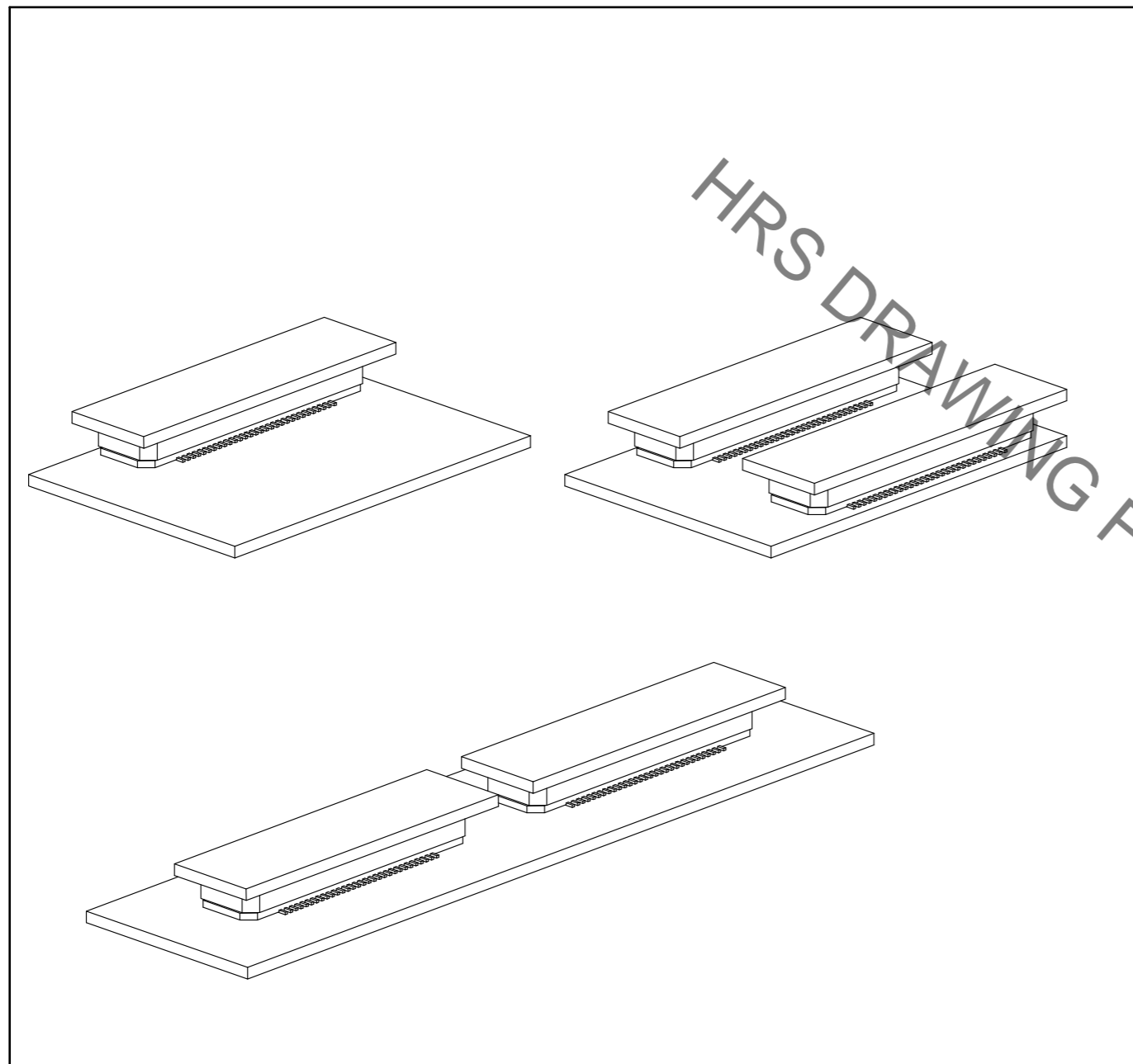
May.1.2023 Copyright 2023 HIROSE ELECTRIC CO., LTD. All Rights Reserved.
In case of consideration for using Automotive equipment / device which demand high reliability, kindly contact our sales window correspondents.

【 Precaution 】

When a board with multiple connectors mounted is mated, the connector may be damaged or deformed.
Please divide one side of the board so only one connector is mated per board.

OK

NG



HRS	DRAWING NO.	EDC-150569-71-25
	PART NO.	FX8-60P-SV1(71)
	CODE NO.	CL578-0041-0-71
		2/2