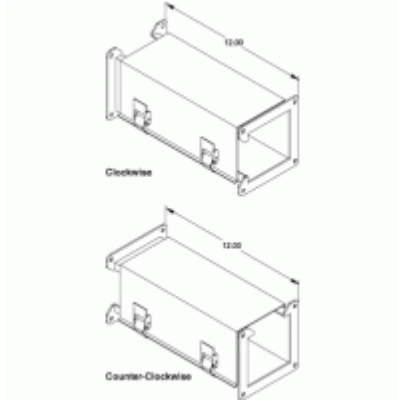




Quality Products. Service Excellence.

12" Transposition Sections Clockwise & Counter-Clockwise 1485 Z Series



- Used to rotate the open side of a wireway run by 90° and maintain the lay-in feature

Clockwise Part No.	Counter-Clockwise Part No.	Size
1485BZ12	1485BZC12	2.5 x 2.5
1485CZ12	1485CZC12	4 x 4
1485DZ12	1485DZC12	6 x 6
1485EZ12	1485EZC12	8 x 8

One flat sealing plate included



Data subject to change without notice

© 2023. Hammond Manufacturing Ltd. All rights reserved.

