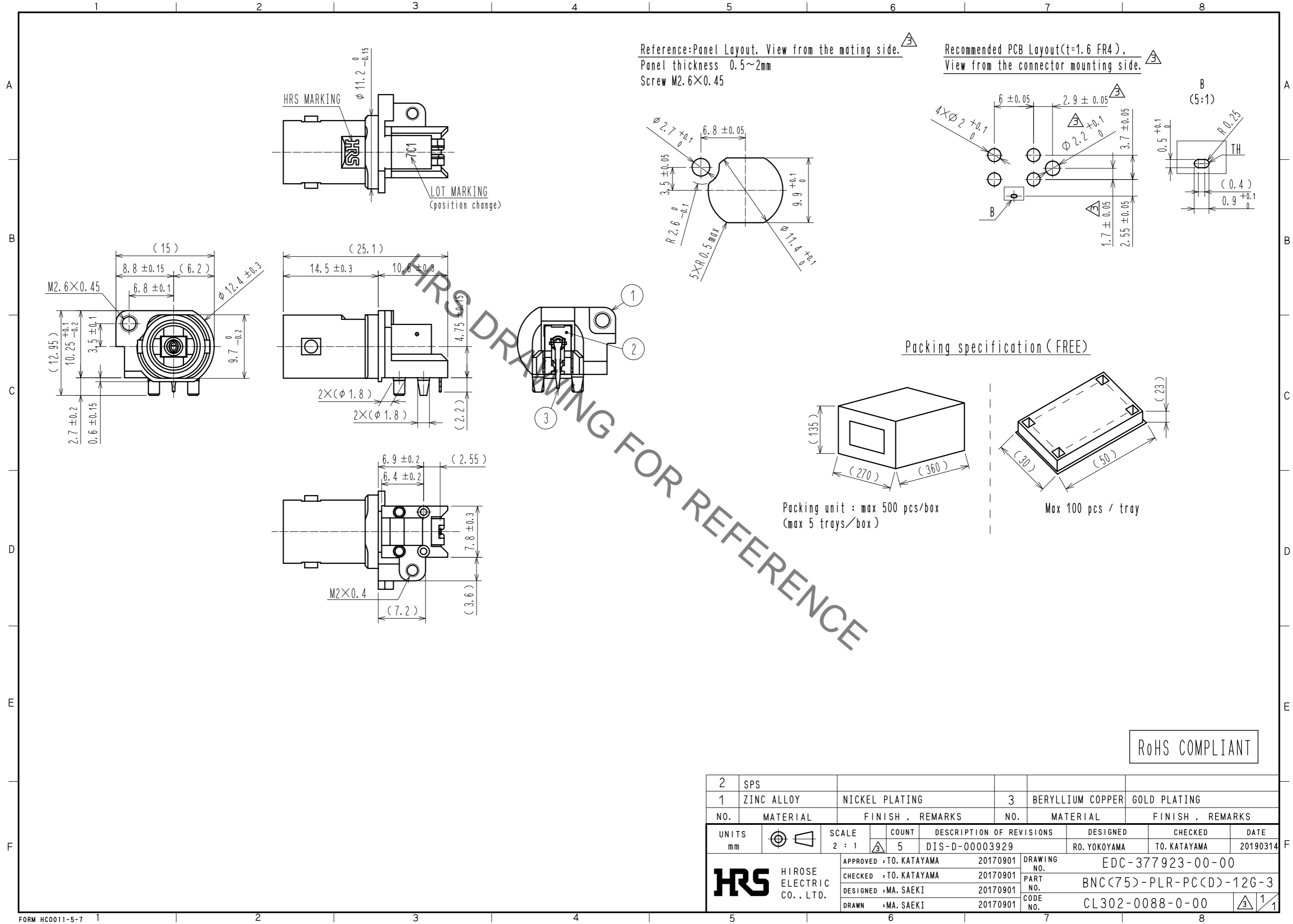


May.1.2023 Copyright 2023 HIROSE ELECTRIC CO., LTD. All Rights Reserved.
In case of consideration for using Automotive equipment / device which demand high reliability, kindly contact our sales window correspondents.



2	SPS				
1	ZINC ALLOY	NICKEL PLATING	3	BERYLLIUM COPPER	GOLD PLATING
NO.	MATERIAL	FINISH . REMARKS	NO.	MATERIAL	FINISH . REMARKS
UNITS	mm	SCALE	COUNT	DESCRIPTION OF REVISIONS	DESIGNED
		2 : 1	5	DIS-D-00003929	RO. YOKOYAMA
					CHECKED
					TO. KATAYAMA
					DATE
					20190314
HRS HIROSE ELECTRIC CO., LTD.		APPROVED : TO. KATAYAMA	20170901	DRAWING NO. EDC-377923-00-00	
		CHECKED : TO. KATAYAMA	20170901	PART NO. BNC(75)-PLR-PC(D)-12G-3	
		DESIGNED : MA. SAEKI	20170901	CODE NO. CL302-0088-0-00	
		DRAWN : MA. SAEKI	20170901		