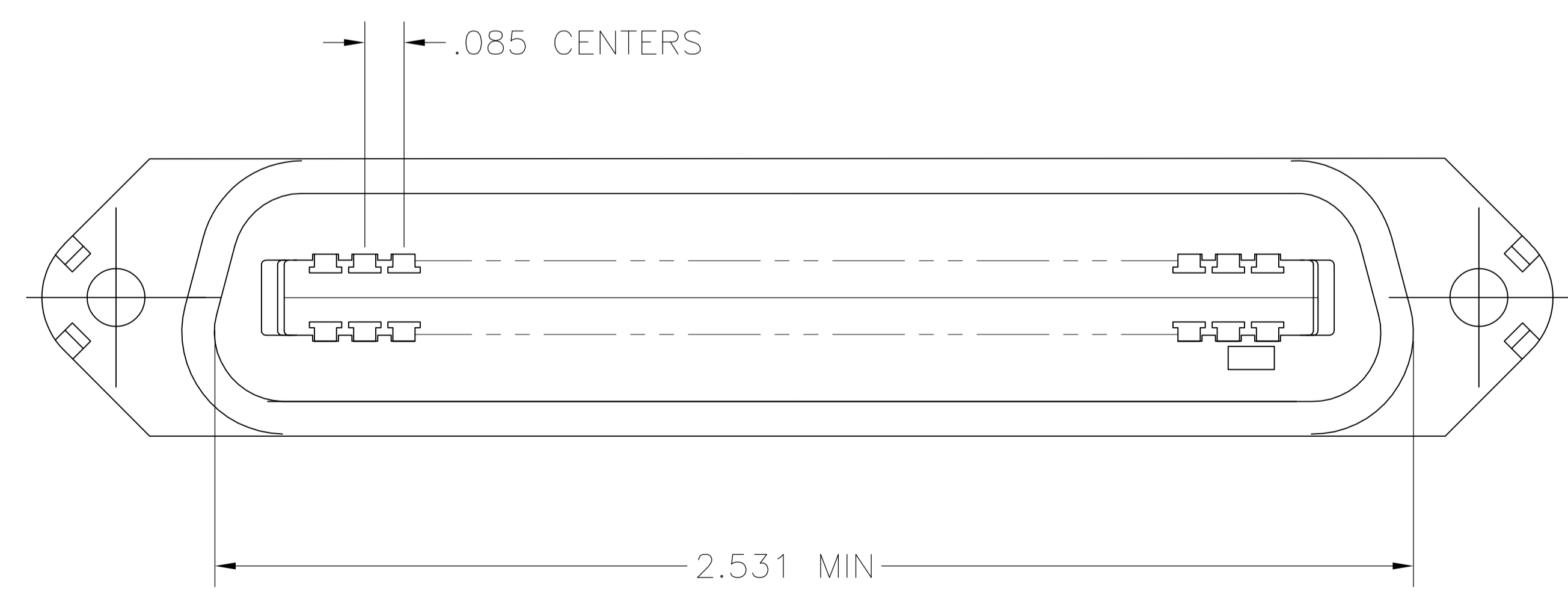
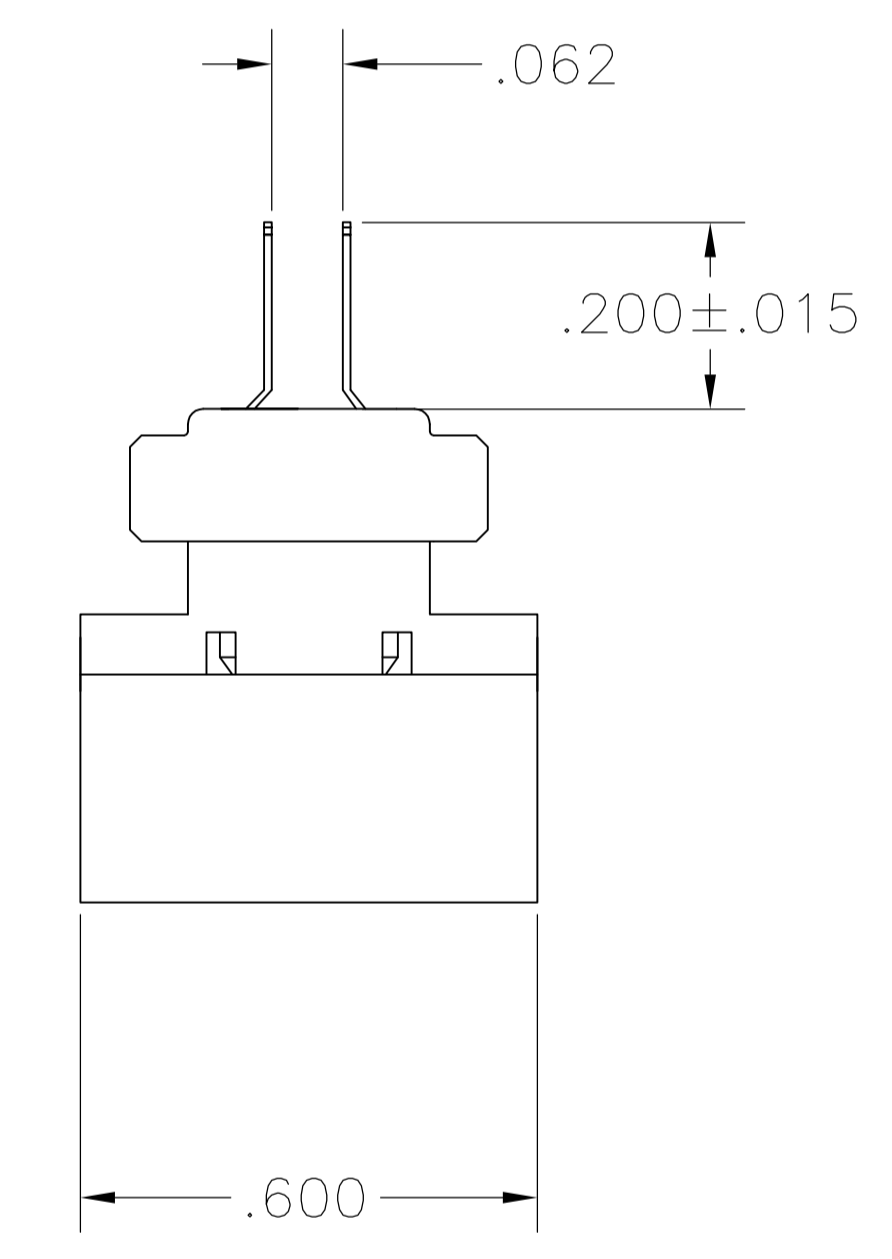
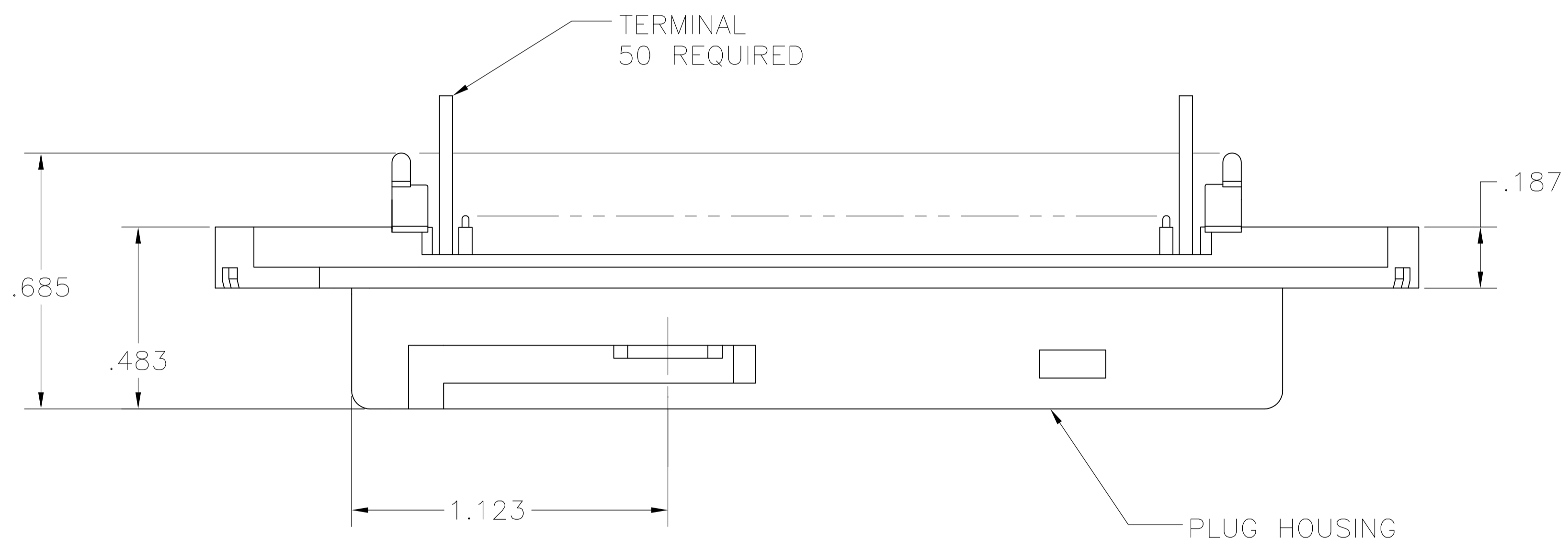


1. THE CONTACT SURFACES OF THE TERMINALS ARE COATED WITH LUBRICANT.
2. MATERIAL: HOUSING - POLYESTER, BLACK. TERMINAL - PHOS BRONZE PLATED WITH EITHER .000030 MINIMUM GOLD PLATE OR GOLD FLASH OVER PALLADIUM NICKEL PLATE, .000030 MINIMUM TOTAL ON MATING SURFACE. .000120 MINIMUM TIN PLATE ON TAILS OVER .000050 MINIMUM NICKEL UNDERPLATE OVER ENTIRE TERMINAL.
3. ALL DIMENSIONS SHOWN ARE FOR REFERENCE ONLY UNLESS OTHERWISE SPECIFIED.



5552126-1
PART NUMBER

THIS DRAWING IS A CONTROLLED DOCUMENT.		DIN EJ LATTUCA	22AUG05	Tyco Electronics Corporation Harrisburg, PA 17105-3608
DIMENSIONS: INCHES		CHK W. MILLHIMES	22AUG05	
TOLERANCES UNLESS OTHERWISE SPECIFIED:		APP'D M. WALMSLEY	22AUG05	NAME PLUG ASSY, 50 POSN, EDGE MTG, CHAMP-LOK
0. PLC	± -	PRODUCT SPEC		APPLICATION SPEC
1. PLC	± -	APPLICATION SPEC		RESTRICTED TO
2. PLC	± -	WEIGHT		SIZE
3. PLC	± -	CUSTOMER DRAWING		CAGE CODE
4. PLC	± -	SCALE		DRAWING NO
ANGLES	± -	SHEET		REV
MATERIAL	2	FINISH		2
MATERIAL		FINISH		2