



## DTE-SX-F-W6

## 150W



### Electrical specifications

- 3-prong IEC320-C14 AC inlet, Class I
- Output voltage range from +12V to +52V
- Meet DOE level VI and EU tier 2 Efficiency requirements
- No load Power consumption < 150mW
- 3 year warranty
- **Non Standard Available Voltages:**  
12-14V, 15-26V, 33-39V and 44-52V
- Meets standard UL 62368

MODEL/CHANNEL		Unit	DTE150-12SX-F-W6	DTE150-16SX-F-W6	DTE150-19SX-F-W6	DTE150-24SX-F-W6	DTE150-36SX-F-W6	DTE150-48SX-F-W6
<b>OUTPUT</b>	Nominal Voltage	V	12	16	19	24	36	48
	Nominal Current	A	11.67	9.38	7.9	6.25	4.17	3.13
	Output Power	W	150	150	150	150	150	150
	Ripple & Noise Max	mV	240	320	380	480	480	480
	Efficiency Level	%	±5%	±5%	±5%	±3%	±3%	±3%
	Power Factor	VAC	> 0.95 @115VAC; > 0.90 @230VAC @full load					
<b>INPUT</b>	Input Voltage Range	V	90 - 264VAC					
	Input Current(rms):	%	2.5A @90VAC; 1.25A @264VAC max.					
	Efficiency	%	> 89% @average load, 115/230VAC					
<b>Efficiency</b>	Input range	VAC	90 - 264VAC					
	Frequency	Hz	47 - 63Hz					
	Power Factor	VAC	> 0.95 @115VAC; > 0.90 @230VAC @full load					
	Inrush current	VAC	< 75A peak @115VAC; < 150A peak @230VAC cold start @25°C					
	Input current (rms)	VAC	2.5A @90VAC; 1.25A @264VAC max.					
	Maximum output power (Po)	W	150Watts					
	Over Voltage Protection	-	Shutdown and latch off, AC recycle					
	Hold-up time	VAC	> 16ms typical @full load, 115VAC					
<b>Dimension</b>	Size(WxHxD) / Weight	mm/g	L170 x W85 x H44 mm ( 6.69" x 3.35" x 1.73")/0.78 kgs. ( 1.72 lbs. )					



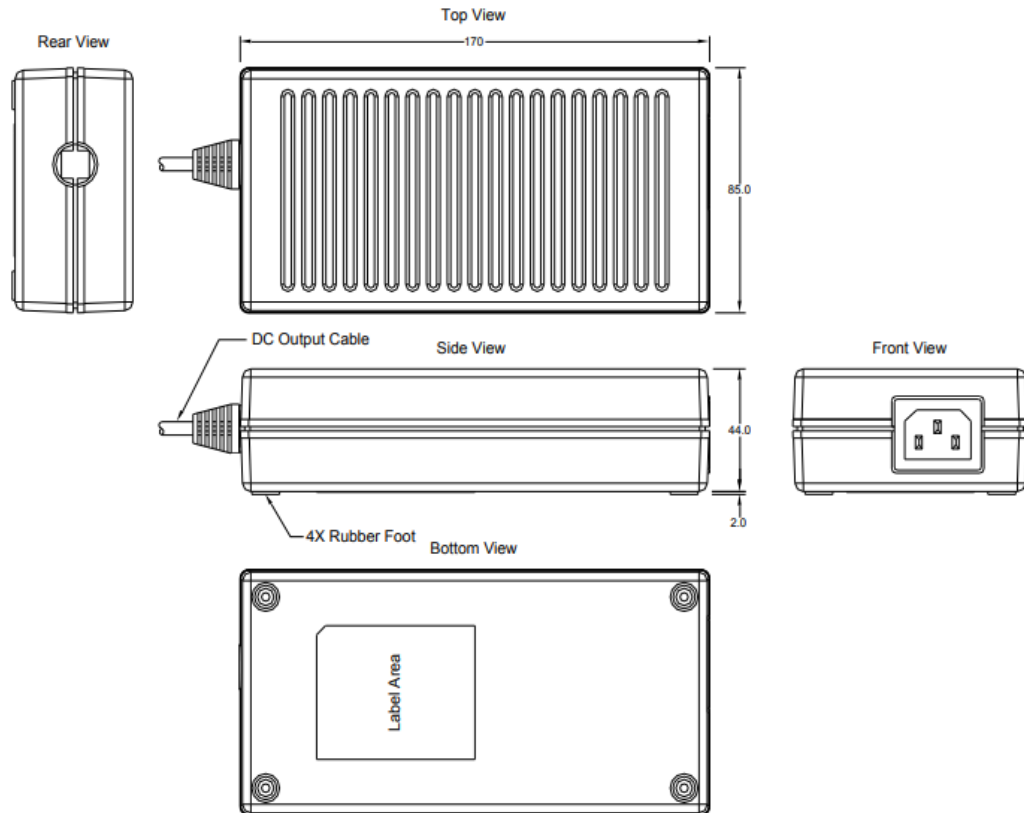


## DTE-SX-F-W6

## 150W

Environmental Specification	
Operating Temperature	0 to +40°C
Storage Temperature	-10 to +85°C
MTBF demonstrated	>80,000 hours at full load and 25°C ambient temperature
Environmental Agencies	
Safety Standards	UL 60950 -1 TUV EN60950-1 CB IEC 60950-1
EMC Standards	CISPR 22 Class B, FCC Class B, EN55022 Class B, CE
Protection	
Short circuit protection	Auto Recover
Over Load Protection	Auto Recover
Over Voltage Protection	Shutdown and latch off, AC recycle
Mechanical	
	AC Input: IEC 320-C14

## Dimension Diagrams (in mm)



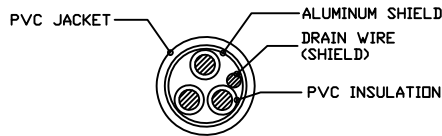


# ETA-USA

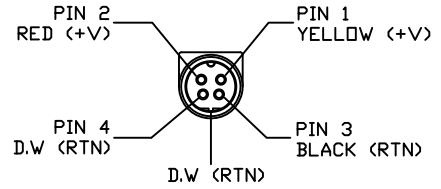
The Power Professionals

## Drawings

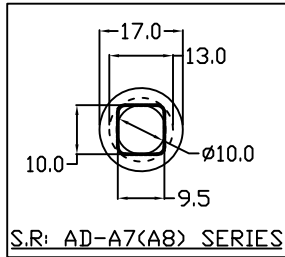
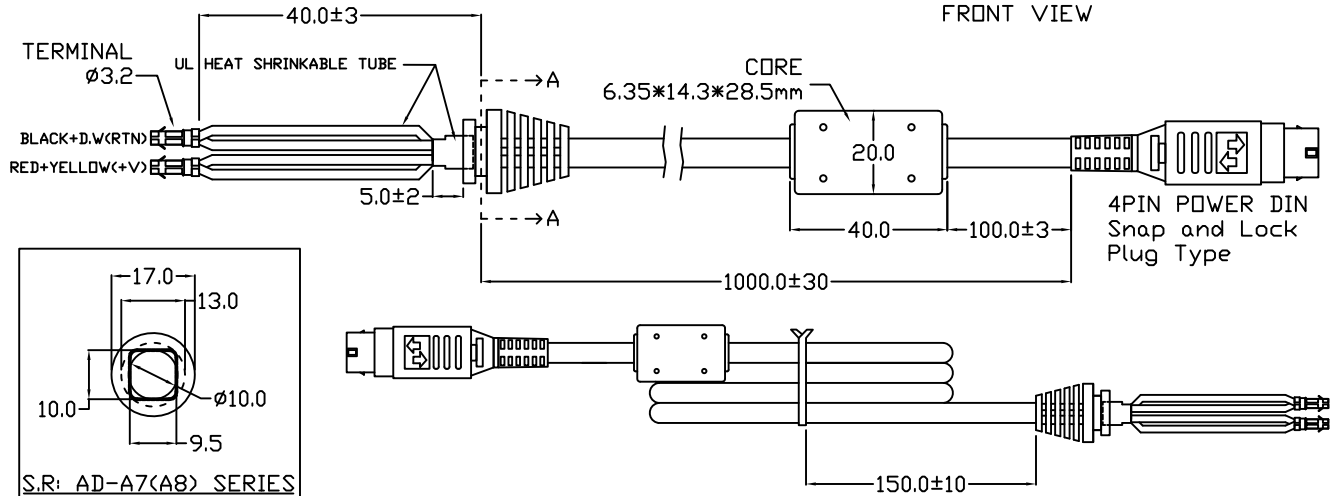
## 150W



[2464#16AWG 3C+1]  
SECTIONAL DRAWING



4P POWER DIN  
FRONT VIEW



S.R: AD-A7(A8) SERIES

SECTION A-A



# ETA-USA

16170 Vineyard Blvd. Suite 180 Morgan Hill, CA 95037 <http://www.eta-usa.com>  
Toll-free (US only): 800-ETA-POWR (800-382-7697) Telephone: 408 778-2793 FAX: 408-779-2753