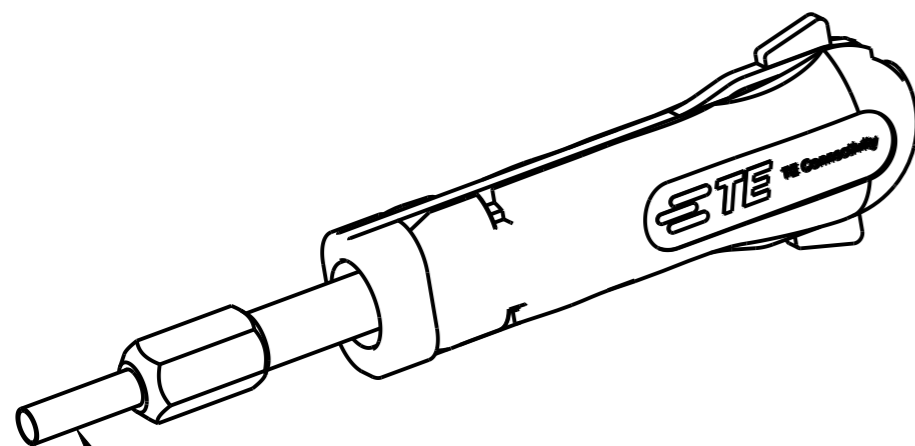


© 2021 TE Connectivity. All Rights Reserved.

REVISIONS

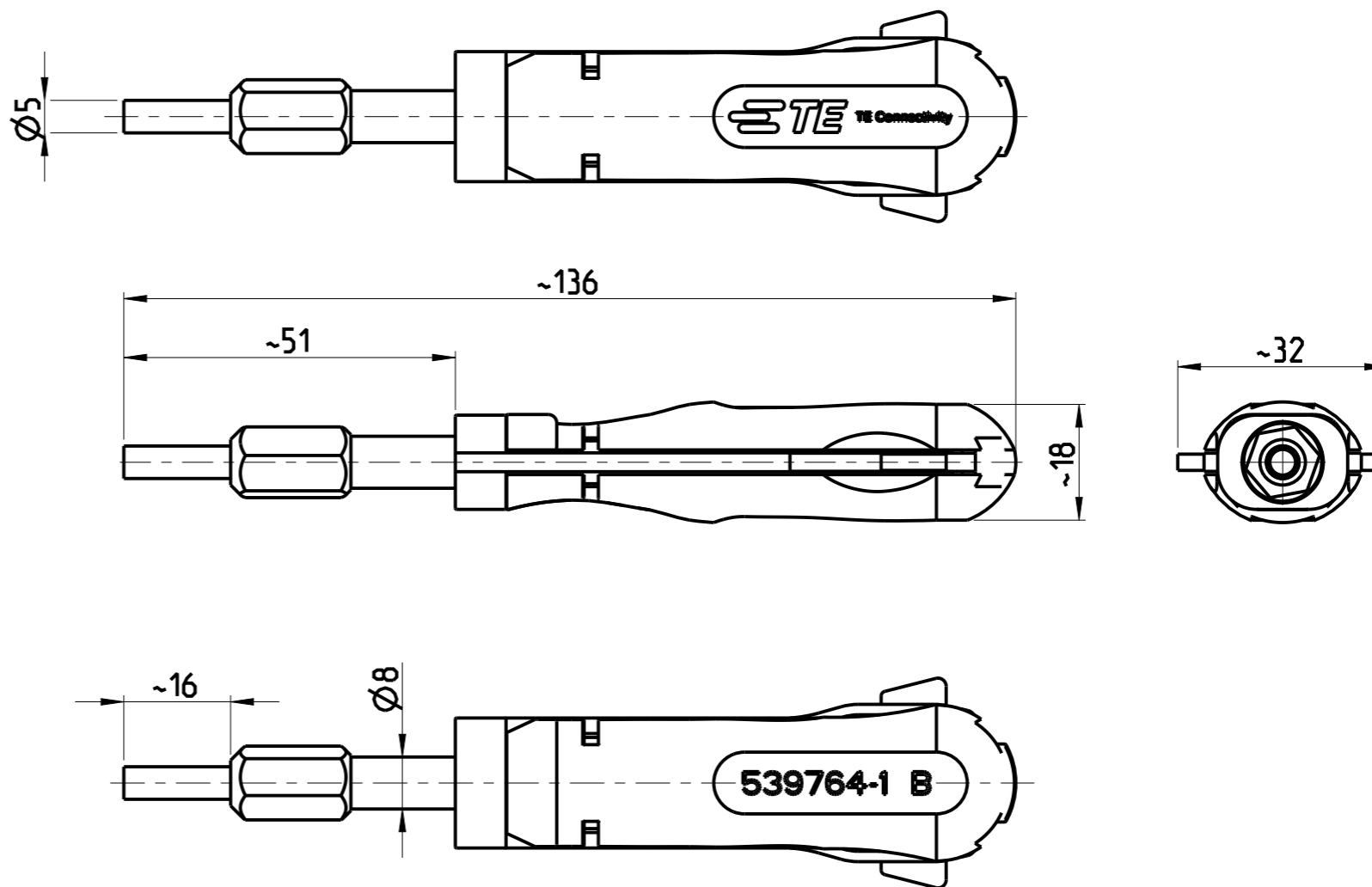
P	LTR	DESCRIPTION	DATE	DWN	APVD
B2	ECR-16-009527		01JUL2016	KH	RG
B3	ECR-21-001695		10FEB2021	PNT	GS



SPARE PART / Ersatzteil
TE-P/N 5-1579007-9

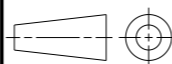
APPLICATION RANGE / Anwendungsbereich:

Contact MNL Ø3.5mm 925712



THIS DRAWING IS A CONTROLLED DOCUMENT.

DIMENSIONS:
mm



TOLERANCES UNLESS OTHERWISE SPECIFIED:

0 PLC	±
1 PLC	±
2 PLC	±
3 PLC	±
4 PLC	±
ANGLES	±

MATERIAL

FINISH

DWN	J. Zajicek	16 JAN 2003
CHK	J. Zajicek	16 JAN 2003
APVD	J. Zajicek	16 JAN 2003

PRODUCT SPEC

APPLICATION SPEC

WEIGHT 0.025kg

CUSTOMER DRAWING



NAME
EXTRACTION TOOL
Entriegelungswerkzeug

SIZE	CAGE CODE	DRAWING NO	RESTRICTED TO
------	-----------	------------	---------------

A3 00779 C-539764-1

SCALE 1:1 SHEET 1 OF 1 REV B3