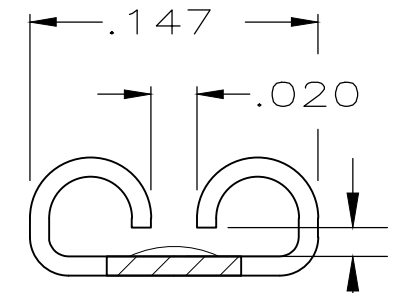
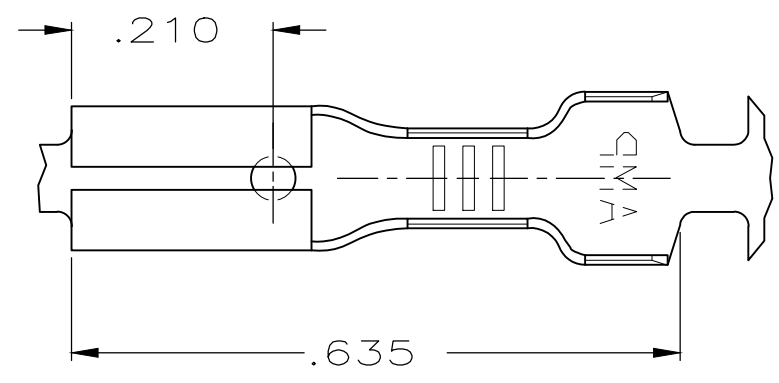


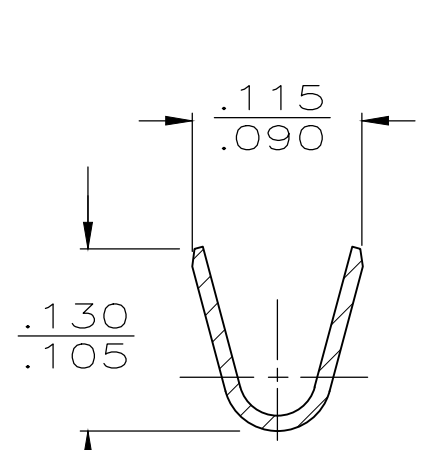
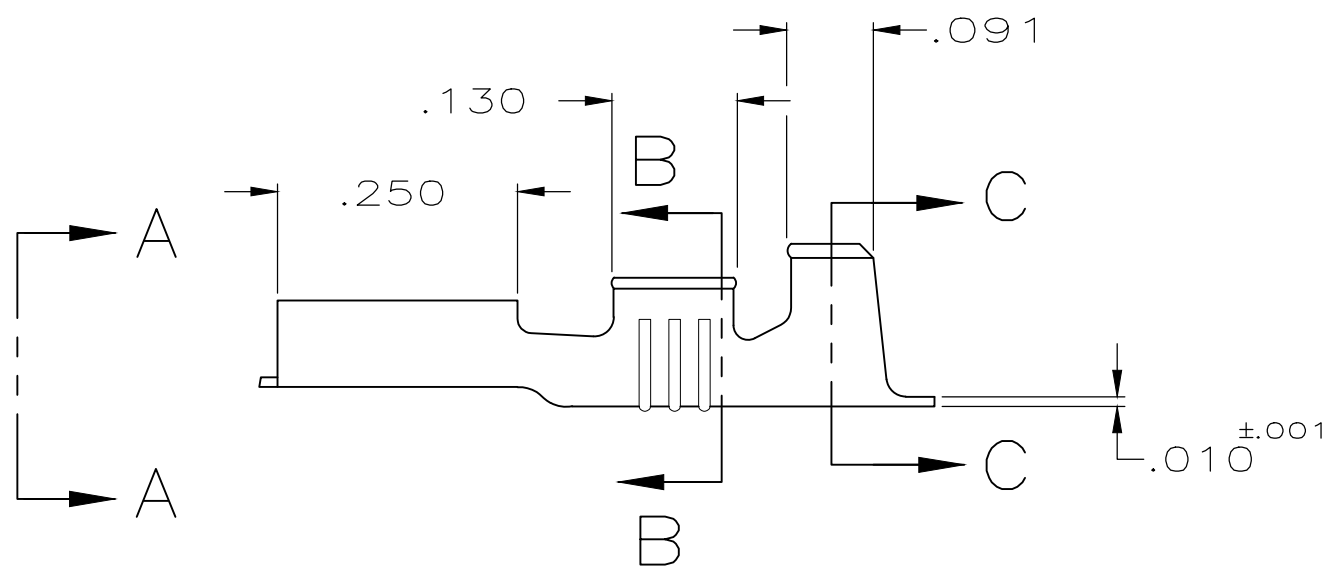
THIS DRAWING IS UNPUBLISHED. RELEASED FOR PUBLICATION
 © COPYRIGHT - By - ALL RIGHTS RESERVED.

LOC	DIST	REVISIONS					
		P	LTR	DESCRIPTION	DATE	DWN	APVD
AF	50		G1	REVISED PER ECR-20-009164	27JUL2020	MK	DH

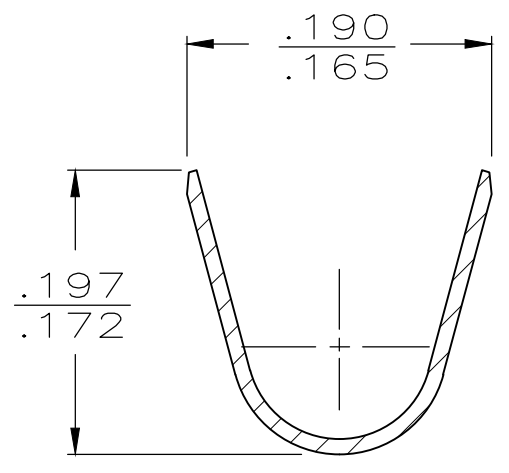
- 1 CONTINUOUS STRIP ON REELS.
- 2 MATING TAB THK IS .021-.019
- 3 WIRE SIZE IS #20-#16 AWG
- 4 INSULATION RANGE IS .120-.140 DIA
- △5 SPECIAL PACKAGING
- △6 PRELIMINARY - NOT FOR PRODUCTION



GAP AS REQUIRED TO MEET FORCE SPECIFICATIONS AND .018 MAX
 VIEW A-A



SECTION B-B



SECTION C-C

△5	PRE-TIN	△6	61400-3
	PRE-TIN		61400-1
	FINISH		PART NO

THIS DRAWING IS A CONTROLLED DOCUMENT.		DWN	JR RUTH	2/6/87	STE TE Connectivity													
DIMENSIONS: INCHES		CHK	R KUZO	2/17/87														
TOLERANCES UNLESS OTHERWISE SPECIFIED:		APVD	C MEYERS	2/16/87	NAME													
<table border="0"> <tr><td>0 PLC</td><td>± -</td></tr> <tr><td>1 PLC</td><td>± -</td></tr> <tr><td>2 PLC</td><td>± -</td></tr> <tr><td>3 PLC</td><td>± .015</td></tr> <tr><td>4 PLC</td><td>± -</td></tr> <tr><td>ANGLES</td><td>± -</td></tr> </table>		0 PLC	± -	1 PLC	± -	2 PLC	± -	3 PLC	± .015	4 PLC	± -	ANGLES	± -	PRODUCT SPEC		RECEPTACLE, FASTON, .110 SERIES		
0 PLC	± -																	
1 PLC	± -																	
2 PLC	± -																	
3 PLC	± .015																	
4 PLC	± -																	
ANGLES	± -																	
MATERIAL: BRASS		FINISH: SEE TABLE		APPLICATION SPEC		RESTRICTED TO												
CUSTOMER DRAWING				WEIGHT	-	SIZE	A3											
				CAGE CODE	00779	DRAWING NO	C-61400											
				SCALE	5:1	SHEET	1 OF 1											
				REV	G1													