

THIS DRAWING IS UNPUBLISHED.

RELEASED FOR PUBLICATION

2015

© COPYRIGHT 2015

Tyco Electronics AMP GmbH

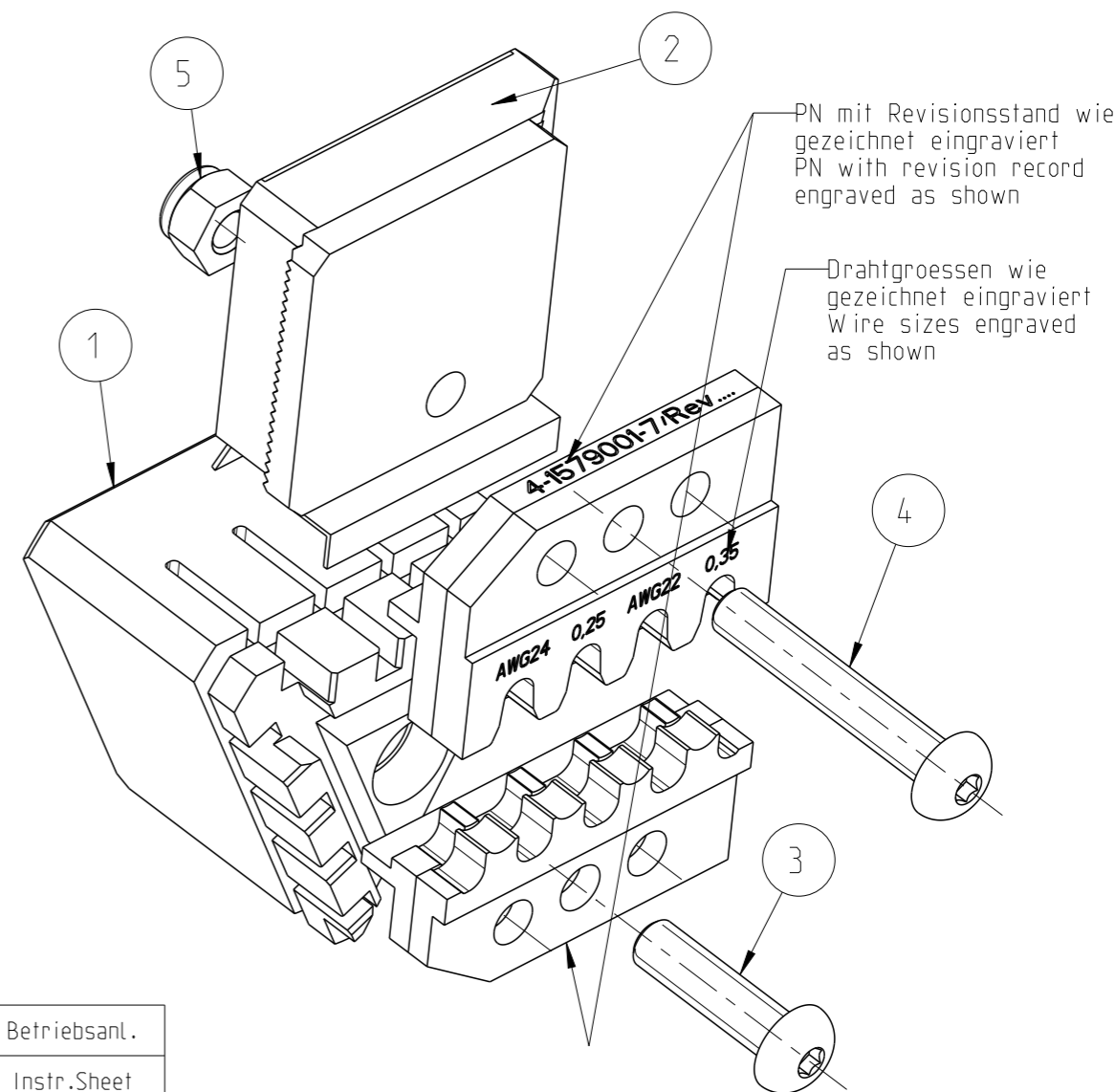
ALL RIGHTS RESERVED.

REVISIONS

P	LTR	DESCRIPTION	DATE	DWN	APVD
B		ECR-15-003202	26FEB2015	GH	CW
C		ECR-15-011350	29JUL2015	GH	GS

Matrize in Kombination mit Ergocrimp Basishandzange PN 539635-1 verwenden
 Use die in combination with Ergocrimp basis hand tool PN 539635-1

Matrize im Karton mit Bedienungsanleitung 411-18335 verpackt
 Die packed in a cardboard with instruction sheet 411-18335



4-1579001-7	1	4-0744011-1	Instruction Sheet	Bedienungsanleitung	6
	1	0-0519024-2	Nut M4 DIN 985	Mutter M4 DIN 985	5
	1	1-0519151-3	Screw M4x25	Schraube M4x25	4
	1	1-0519151-1	Screw M4x16	Schraube M4x16	3
	1	7-1579015-7	Locator Assembly	Drahtanschlag	2
	1	7-1579015-6	Contact Locator	Kontaktpositionierer	1
	QTY Stck	PN	Description	Benennung	Pos.

Kontakt	AWG (mm ²)	Drahtcrimp / Wire Crimp		Isolationscrimp/Insulationcrimp		Isol.Ø	Betriebsanl.
Contact	Wire Range	Hoehe/Height mm	Breite/Width mm	Hoehe/Height mm	Breite/Width mm	Ins.Range	Instr.Sheet
1452665 1718758	AWG24	0.75 ±0.03	1.27 F	3.15 max.	3.15 0	1.10-1.75	411-18335
	0.25	0.78 ±0.03		3.15 max.			
	AWG22	0.83 ±0.03		3.15 max.			
	0.35	0.84 ±0.03		3.15 max.			

THIS DRAWING IS A CONTROLLED DOCUMENT.

DIMENSIONS:
mm



MATERIAL

TOLERANCES UNLESS OTHERWISE SPECIFIED:

0 PLC ±
 1 PLC ±
 2 PLC ±
 3 PLC ±
 4 PLC ±
 ANGLES ±1°

FINISH

DWN G.Herold 26FEB2015

CHK C.Witt 26FEB2015

APVD G.Stegmayer 26FEB2015

PRODUCT SPEC

APPLICATION SPEC

WEIGHT

CUSTOMER DRAWING



TE Connectivity

NAME
 ERGO DIE SET MCON1.2LLSWS/TAB SWS
 Ergo Matrize MCON 1.2 EDS/Flach EDS

SIZE A3 CAGE CODE 00779 DRAWING NO. 4-1579001-7 RESTRICTED TO

SCALE - SHEET 1 OF 1 REV C