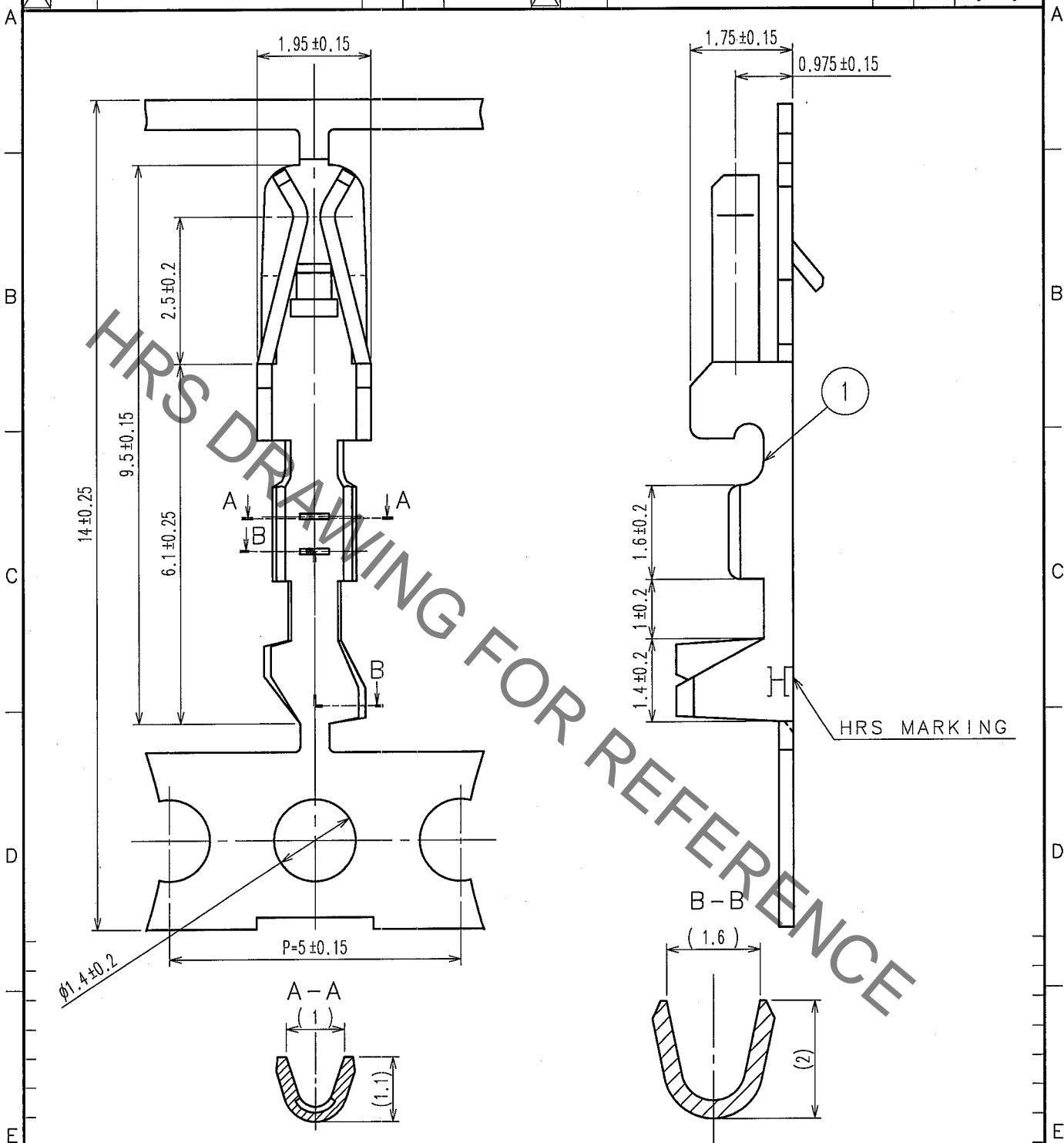


Apr.1.2023 Copyright 2023 HIROSE ELECTRIC CO., LTD. All Rights Reserved.
 In case of consideration for using Automotive equipment / device which demand high reliability, kindly contact our sales window correspondents.

1		2			3			4		
COUNT	DESCRIPTION OF REVISIONS	BY	CHKD	DATE	COUNT	DESCRIPTION OF REVISIONS	BY	CHKD	DATE	
△					△					
△					△					
△					△					



NO.	MATERIAL	FINISH, REMARKS	NO.	MATERIAL	FINISH, REMARKS
1	PHOSPHOR BRONZE	TIN PLATED 1μm MIN			

CODE NO. (OLD)	DRAWN	DESIGNED	CHECKED	APPROVED	RELEASED
CL	K. ISHII	K. ISHII	H. Umehara	T. Sahata	
	'07.08.27	'07.08.27	07-08-28	07.08.29	

 SCALE 10 : 1 UNITS mm	DRAWING NO. EDC4-080534-01 HIROSE ELECTRIC CO., LTD.	PART NO. DF1B-30SCF CODE NO. CL541-0682-9	1 1
------------------------------------	--	--	--------

TO