

# BUX85G

## Switch-mode NPN Silicon Power Transistors

The BUX85G is designed for high voltage, high speed power switching applications like converters, inverters, switching regulators, motor control systems.

### Features

- These Devices are Pb-Free and are RoHS Compliant\*

### MAXIMUM RATINGS

| Rating   | Symbol         | Value       | Unit                     |
|--|----------------|-------------|--------------------------|
| Collector-Emitter Voltage  | $V_{CEO(sus)}$ | 450         | Vdc                      |
| Collector-Emitter Voltage  | $V_{CES}$      | 1000        | Vdc                      |
| Emitter-Base Voltage   | $V_{EBO}$      | 5           | Vdc                      |
| Collector Current – Continuous   | $I_C$          | 2           | Adc                      |
| Collector Current – Peak (Note 1)  | $I_{CM}$       | 3.0         | Adc                      |
| Base Current – Continuous  | $I_B$          | 0.75        | Adc                      |
| Base Current – Peak (Note 1)   | $I_{BM}$       | 1.0         | Adc                      |
| Reverse Base Current – Peak  | $I_{BM}$       | 1           | Adc                      |
| Total Device Dissipation @ $T_C = 25^\circ\text{C}$<br>Derate above $25^\circ\text{C}$ | $P_D$          | 50<br>0.4   | W<br>W/ $^\circ\text{C}$ |
| Operating and Storage Junction<br>Temperature Range                                    | $T_J, T_{stg}$ | -65 to +150 | $^\circ\text{C}$         |

Stresses exceeding those listed in the Maximum Ratings table may damage the device. If any of these limits are exceeded, device functionality should not be assumed, damage may occur and reliability may be affected.

1. Pulse Test: Pulse Width = 5 ms, Duty Cycle  $\leq 10\%$ .

### THERMAL CHARACTERISTICS

| Characteristics   | Symbol          | Max  | Unit               |
|---|-----------------|------|--------------------|
| Thermal Resistance, Junction-to-Case  | $R_{\theta JC}$ | 2.5  | $^\circ\text{C/W}$ |
| Thermal Resistance, Junction-to-Ambient   | $R_{\theta JA}$ | 62.5 | $^\circ\text{C/W}$ |
| Maximum Lead Temperature for Soldering<br>Purposes 1/8" from Case for 5 Seconds | $T_L$           | 275  | $^\circ\text{C}$   |

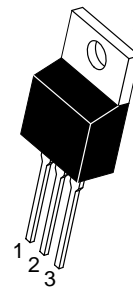
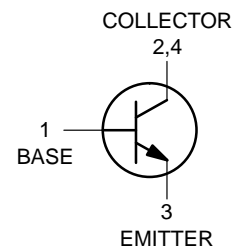
\*For additional information on our Pb-Free strategy and soldering details, please download the ON Semiconductor Soldering and Mounting Techniques Reference Manual, SOLDERRM/D.



**ON Semiconductor®**

[www.onsemi.com](http://www.onsemi.com)

## 2.0 AMPERES POWER TRANSISTOR NPN SILICON 450 VOLTS, 50 WATTS



**TO-220  
CASE 221A  
STYLE 1**

### MARKING DIAGRAM



BUX85 = Device Code  
A = Assembly Location  
Y = Year  
WW = Work Week  
G = Pb-Free Package

### ORDERING INFORMATION

| Device | Package             | Shipping        |
|--------|---------------------|-----------------|
| BUX85G | TO-220<br>(Pb-Free) | 50 Units / Rail |

# BUX85G

## ELECTRICAL CHARACTERISTICS (T<sub>C</sub> = 25°C unless otherwise noted)

| Characteristic | Symbol | Min | Typ | Max | Unit |
|----------------|--------|-----|-----|-----|------|
|----------------|--------|-----|-----|-----|------|

### OFF CHARACTERISTICS (Note 2)

|  |                       |     |   |            |      |
|--|-----------------------|-----|---|------------|------|
| Collector–Emitter Sustaining Voltage<br>(I <sub>C</sub> = 100 mAdc, (L = 25 mH) See Figure 1                               | V <sub>CEO(sus)</sub> | 450 | – | –          | Vdc  |
| Collector Cutoff Current<br>(V <sub>CE</sub> S = Rated Value)<br>(V <sub>CE</sub> S = Rated Value, T <sub>C</sub> = 125°C) | I <sub>CES</sub>      | –   | – | 0.2<br>1.5 | mAdc |
| Emitter Cutoff Current<br>(V <sub>EB</sub> = 5 Vdc, I <sub>C</sub> = 0)  | I <sub>EBO</sub>      | –   | – | 1          | mAdc |

### ON CHARACTERISTICS (Note 2)

|   |                      |    |    |          |     |
|---|----------------------|----|----|----------|-----|
| DC Current Gain<br>(I <sub>C</sub> = 0.1 Adc, V <sub>CE</sub> = 5 V)  | h <sub>FE</sub>      | 30 | 50 | –        | –   |
| Collector–Emitter Saturation Voltage<br>(I <sub>C</sub> = 0.3 Adc, I <sub>B</sub> = 30 mAdc)<br>(I <sub>C</sub> = 1 Adc, I <sub>B</sub> = 200 mAdc) | V <sub>CE(sat)</sub> | –  | –  | 0.8<br>1 | Vdc |
| Base–Emitter Saturation Voltage<br>(I <sub>C</sub> = 1 Adc, I <sub>B</sub> = 0.2 Adc)   | V <sub>BE(sat)</sub> | –  | –  | 1.1      | Vdc |

### DYNAMIC CHARACTERISTICS

|   |                |   |   |   |     |
|---|----------------|---|---|---|-----|
| Current–Gain – Bandwidth Product<br>(I <sub>C</sub> = 500 mAdc, V <sub>CE</sub> = 1.0 Vdc, f = 1 MHz) | f <sub>T</sub> | 4 | – | – | MHz |
|---|----------------|---|---|---|-----|

### SWITCHING CHARACTERISTICS

|              |   |                 |   |     |     |    |
|--------------|---|-----------------|---|-----|-----|----|
| Turn–on Time | V <sub>CC</sub> = 250 Vdc, I <sub>C</sub> = 1 A<br>I <sub>B1</sub> = 0.2 A, I <sub>B2</sub> = 0.4 A<br>See Figure 2 | t <sub>on</sub> | – | 0.3 | 0.5 | μs |
| Storage Time |   | t <sub>s</sub>  | – | 2   | 3.5 | μs |
| Fall Time    |   | t <sub>f</sub>  | – | 0.3 | –   | μs |
| Fall Time    |   | t <sub>f</sub>  | – | –   | 1.4 | μs |

Product parametric performance is indicated in the Electrical Characteristics for the listed test conditions, unless otherwise noted. Product performance may not be indicated by the Electrical Characteristics if operated under different conditions.

2. Pulse Test: PW = 300 μs, Duty Cycle ≤2%.

# BUX85G

## TYPICAL CHARACTERISTICS

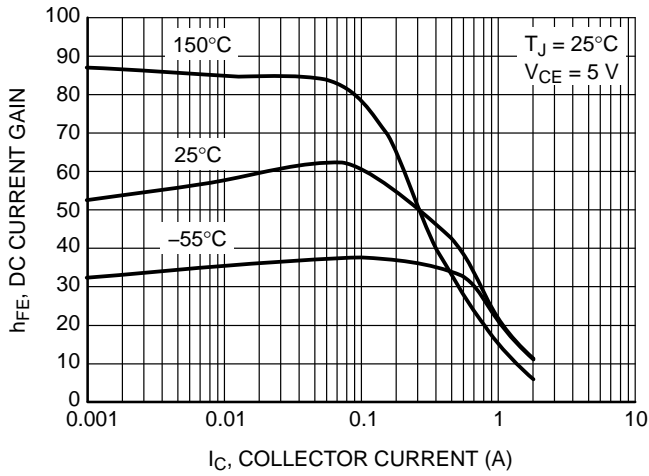


Figure 1. DC Current Gain

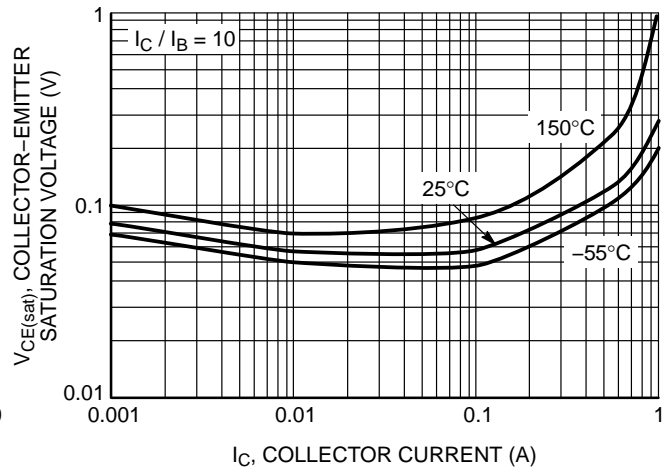


Figure 2.  $V_{CE(sat)}$ , Collector Emitter Saturation Voltage

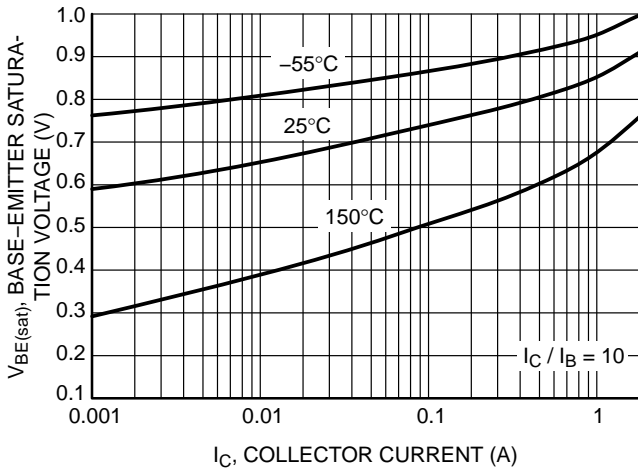


Figure 3.  $V_{BE(sat)}$ , Base Emitter Saturation Voltage

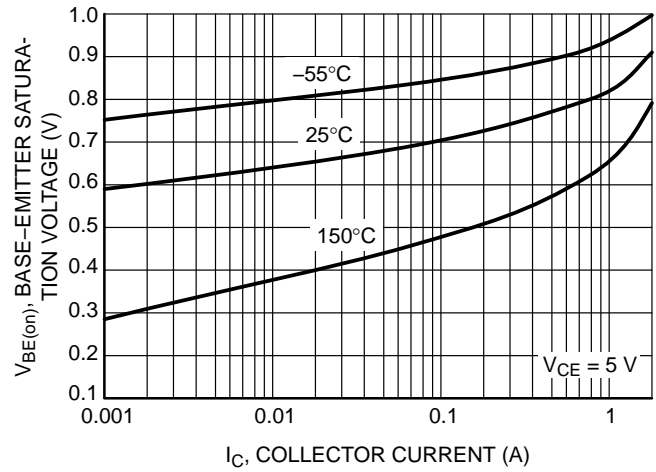


Figure 4.  $V_{BE(on)}$ , Base Emitter On Voltage

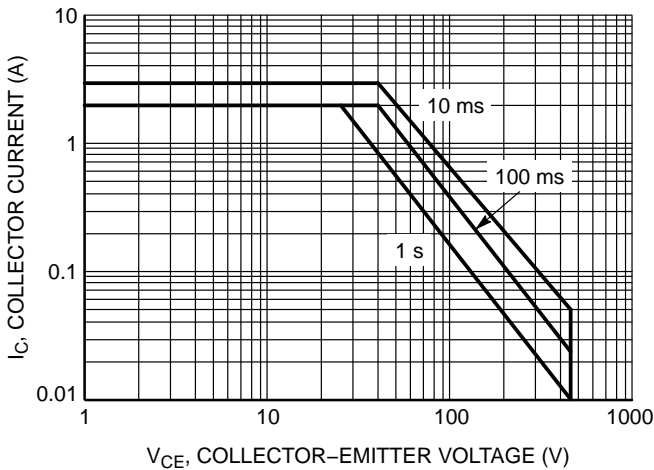


Figure 5. Safe Operating Area (SOA)

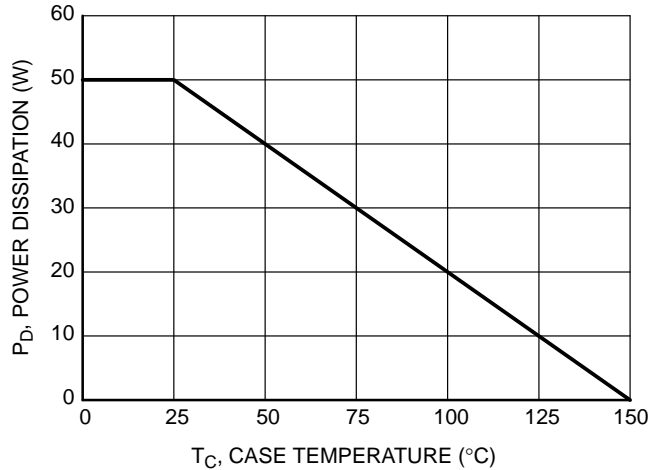


Figure 6. Power Derating

# BUX85G

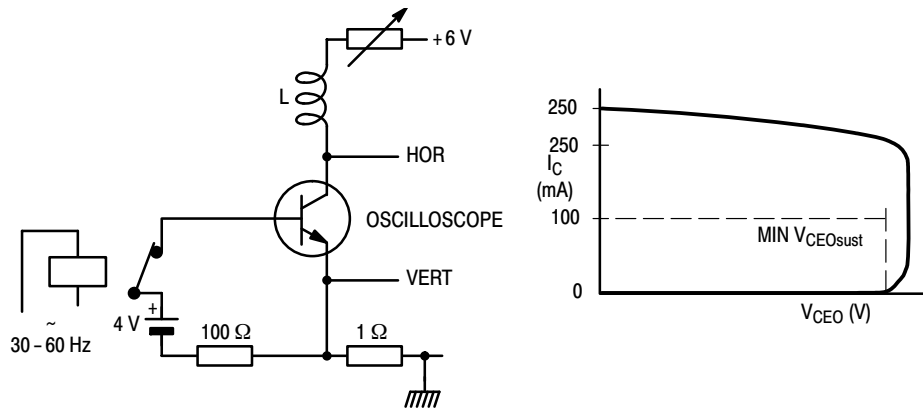


Figure 1. Test Circuit for  $V_{CEOsust}$

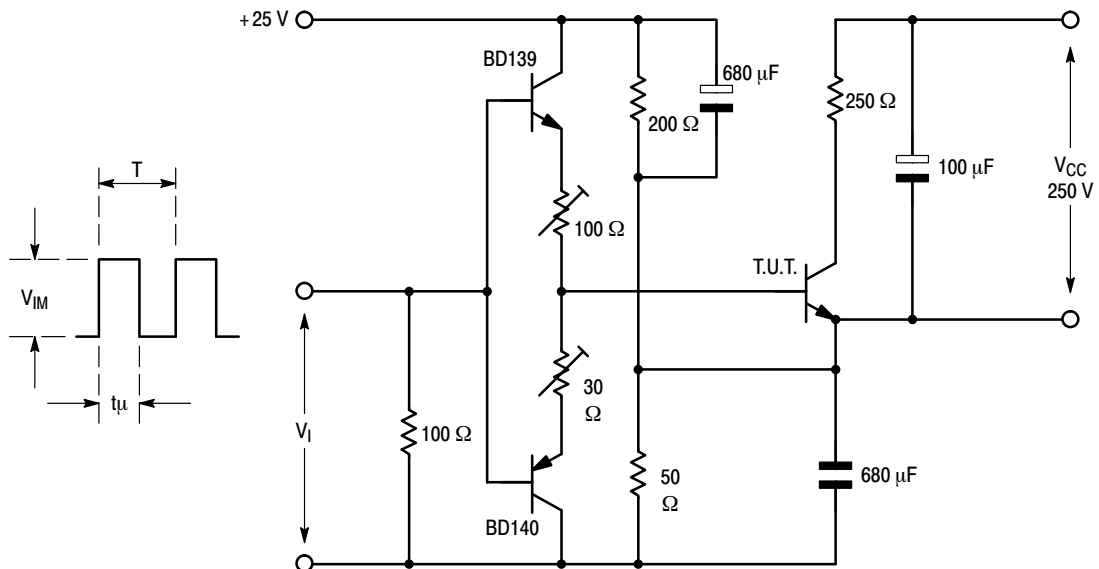
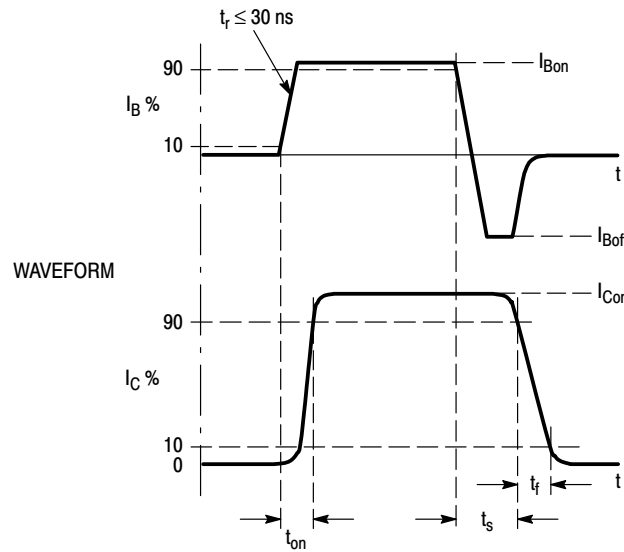
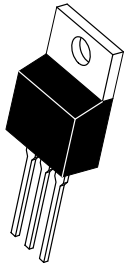


Figure 2. Switching Times/Test Circuit

# MECHANICAL CASE OUTLINE PACKAGE DIMENSIONS



SCALE 1:1



## TO-220 CASE 221A ISSUE AK

DATE 13 JAN 2022

NOTES:

1. DIMENSIONING AND TOLERANCING PER ANSI Y14.5M, 2009.
2. CONTROLLING DIMENSION: INCHES
3. DIMENSION Z DEFINES A ZONE WHERE ALL BODY AND LEAD IRREGULARITIES ARE ALLOWED.
4. MAX WIDTH FOR F102 DEVICE = 1.35MM

| DIM | INCHES |       | MILLIMETERS |       |
|-----|--------|-------|-------------|-------|
|     | MIN.   | MAX.  | MIN.        | MAX.  |
| A   | 0.570  | 0.620 | 14.48       | 15.75 |
| B   | 0.380  | 0.415 | 9.66        | 10.53 |
| C   | 0.160  | 0.190 | 4.07        | 4.83  |
| D   | 0.025  | 0.038 | 0.64        | 0.96  |
| F   | 0.142  | 0.161 | 3.60        | 4.09  |
| G   | 0.095  | 0.105 | 2.42        | 2.66  |
| H   | 0.110  | 0.161 | 2.80        | 4.10  |
| J   | 0.014  | 0.024 | 0.36        | 0.61  |
| K   | 0.500  | 0.562 | 12.70       | 14.27 |
| L   | 0.045  | 0.060 | 1.15        | 1.52  |
| N   | 0.190  | 0.210 | 4.83        | 5.33  |
| Q   | 0.100  | 0.120 | 2.54        | 3.04  |
| R   | 0.080  | 0.110 | 2.04        | 2.79  |
| S   | 0.045  | 0.055 | 1.15        | 1.41  |
| T   | 0.235  | 0.255 | 5.97        | 6.47  |
| U   | 0.000  | 0.050 | 0.00        | 1.27  |
| V   | 0.045  | ---   | 1.15        | ---   |
| Z   | ---    | 0.080 | ---         | 2.04  |

STYLE 1:  
PIN 1. BASE  
2. COLLECTOR  
3. EMITTER  
4. COLLECTOR

STYLE 2:  
PIN 1. BASE  
2. EMITTER  
3. COLLECTOR  
4. EMITTER

STYLE 3:  
PIN 1. CATHODE  
2. ANODE  
3. GATE  
4. ANODE

STYLE 4:  
PIN 1. MAIN TERMINAL 1  
2. MAIN TERMINAL 2  
3. GATE  
4. MAIN TERMINAL 2

STYLE 5:  
PIN 1. GATE  
2. DRAIN  
3. SOURCE  
4. DRAIN

STYLE 6:  
PIN 1. ANODE  
2. CATHODE  
3. ANODE  
4. CATHODE

STYLE 7:  
PIN 1. CATHODE  
2. ANODE  
3. CATHODE  
4. ANODE

STYLE 8:  
PIN 1. CATHODE  
2. ANODE  
3. EXTERNAL TRIP/DELAY  
4. ANODE

STYLE 9:  
PIN 1. GATE  
2. COLLECTOR  
3. EMITTER  
4. COLLECTOR

STYLE 10:  
PIN 1. GATE  
2. SOURCE  
3. DRAIN  
4. SOURCE

STYLE 11:  
PIN 1. DRAIN  
2. SOURCE  
3. GATE  
4. SOURCE

STYLE 12:  
PIN 1. MAIN TERMINAL 1  
2. MAIN TERMINAL 2  
3. GATE  
4. NOT CONNECTED

|                  |             |  |
|------------------|-------------|--|
| DOCUMENT NUMBER: | 98ASB42148B | Electronic versions are uncontrolled except when accessed directly from the Document Repository. Printed versions are uncontrolled except when stamped "CONTROLLED COPY" in red. |
| DESCRIPTION:     | TO-220      | PAGE 1 OF 1  |

onsemi and onsemi are trademarks of Semiconductor Components Industries, LLC dba onsemi or its subsidiaries in the United States and/or other countries. onsemi reserves the right to make changes without further notice to any products herein. onsemi makes no warranty, representation or guarantee regarding the suitability of its products for any particular purpose, nor does onsemi assume any liability arising out of the application or use of any product or circuit, and specifically disclaims any and all liability, including without limitation special, consequential or incidental damages. onsemi does not convey any license under its patent rights nor the rights of others.

**onsemi**, **Onsemi**, and other names, marks, and brands are registered and/or common law trademarks of Semiconductor Components Industries, LLC dba "**onsemi**" or its affiliates and/or subsidiaries in the United States and/or other countries. **onsemi** owns the rights to a number of patents, trademarks, copyrights, trade secrets, and other intellectual property. A listing of **onsemi**'s product/patent coverage may be accessed at [www.onsemi.com/site/pdf/Patent-Marking.pdf](http://www.onsemi.com/site/pdf/Patent-Marking.pdf). **onsemi** reserves the right to make changes at any time to any products or information herein, without notice. The information herein is provided "as-is" and **onsemi** makes no warranty, representation or guarantee regarding the accuracy of the information, product features, availability, functionality, or suitability of its products for any particular purpose, nor does **onsemi** assume any liability arising out of the application or use of any product or circuit, and specifically disclaims any and all liability, including without limitation special, consequential or incidental damages. Buyer is responsible for its products and applications using **onsemi** products, including compliance with all laws, regulations and safety requirements or standards, regardless of any support or applications information provided by **onsemi**. "Typical" parameters which may be provided in **onsemi** data sheets and/or specifications can and do vary in different applications and actual performance may vary over time. All operating parameters, including "Typicals" must be validated for each customer application by customer's technical experts. **onsemi** does not convey any license under any of its intellectual property rights nor the rights of others. **onsemi** products are not designed, intended, or authorized for use as a critical component in life support systems or any FDA Class 3 medical devices or medical devices with a same or similar classification in a foreign jurisdiction or any devices intended for implantation in the human body. Should Buyer purchase or use **onsemi** products for any such unintended or unauthorized application, Buyer shall indemnify and hold **onsemi** and its officers, employees, subsidiaries, affiliates, and distributors harmless against all claims, costs, damages, and expenses, and reasonable attorney fees arising out of, directly or indirectly, any claim of personal injury or death associated with such unintended or unauthorized use, even if such claim alleges that **onsemi** was negligent regarding the design or manufacture of the part. **onsemi** is an Equal Opportunity/Affirmative Action Employer. This literature is subject to all applicable copyright laws and is not for resale in any manner.

## PUBLICATION ORDERING INFORMATION

### LITERATURE FULFILLMENT:

Email Requests to: [orderlit@onsemi.com](mailto:orderlit@onsemi.com)

**onsemi Website:** [www.onsemi.com](http://www.onsemi.com)

### TECHNICAL SUPPORT

**North American Technical Support:**

Voice Mail: 1 800-282-9855 Toll Free USA/Canada

Phone: 011 421 33 790 2910

**Europe, Middle East and Africa Technical Support:**

Phone: 00421 33 790 2910

For additional information, please contact your local Sales Representative