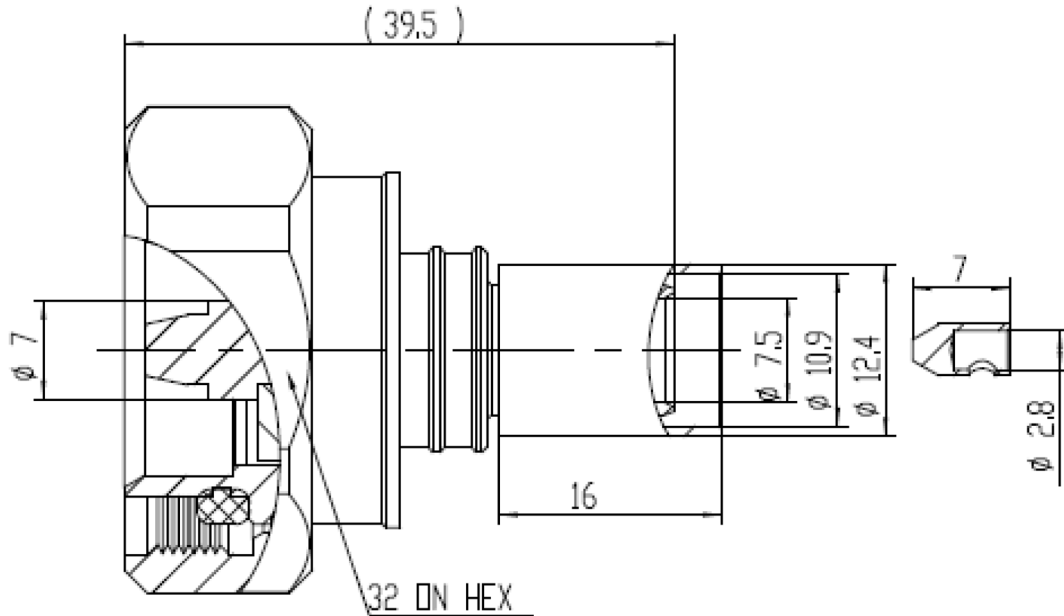


NOTICE OF PROPRIETARY RIGHTS THIS DOCUMENT CONTAINS CONFIDENTIAL TECHNICAL DATA, INCLUDING TRADE SECRETS, PROPRIETARY TO TIMES MICROWAVE SYSTEMS. DISCLOSURE OF THIS DATA IS EXPRESSLY CONDITIONED UPON YOUR ASSENT THAT ITS USE IS LIMITED TO USE WITHIN YOUR COMPANY ONLY. ANY OTHER USE IS STRICTLY PROHIBITED WITHOUT THE PRIOR WRITTEN CONSENT OF TIMES MICROWAVE SYSTEMS.

SYM	REVISION DESCRIPTION	DFTM	DATE	APPD	DATE
A	RELEASED FOR PRODUCTION	K.A.M.	10/13/10	J.D.B.	10/18/10
B	CHANGED PER CDC #37110	N.N.N	2/21/13	J.D.B	2/21/13
C	CHANGED PER CDC #42268	N.N.N	5/21/15	J.D.B	5/27/15



REFERENCE STANDARD	IEC61169-4
1. ELECTRIC PERFORMANCE	
NOMINAL IMPEDANCE(Ω)	50
FREQUENCY RANGE	DC-6GHz
VSWR	≤ 1.30
INSERT LOSS	$\leq 0.05(0-3G)$
INSULATION RESISTANCE(M Ω)	≥ 10000
PROOF VOLTAGE(V)	2500
CONTACT RESISTANCE(m Ω)	OUTER CONDUCTOR <0.2 INNER CONDUCTOR<0.8
2. MECHANICAL PERFORMANCE	
NUT TORQUE	25N.m
(NUT)WHORL PULL	1000N
TENSILE FORCE(CABLE-CONNECTOR)	400N
TORSION(CABLE-CONNECTOR)	2N.m

3. MATERIAL AND PLATING	
INNER CONDUCTOR	SPRING COPPER
OUTER CONDUCTOR	BRASS Ag5 μ m
NUT	BRASS COPPER-TIN-ZINC2 μ m
FERRULE	BRASS COPPER-TIN-ZINC2 μ m
INSULATOR	COPPER COPPER-TIN-ZINC2 μ m
O-RING	PTFE SILICONE RUBBER
4. ENVIRONMENT	
TEMP.RANGE	-40 $^{\circ}$ C~+85 $^{\circ}$ C
WEATHER STANDARD	IEC 60068 40 / 085/ 21
THERMAL SHOCK	IEC 60068 -2-14-Na
VIBRATION	IEC 60068-2-6-Fc
SHOCK	IEC 60068-2-27
WATERPROOFING STANDARD	IP67
ROHS COMPLIANT	
5.ASSEMBLY: INNER CONDUCTOR INSTALLED AND OUTER CONDUCTOR CRIMPED	

MATERIAL:	UNLESS OTHERWISE SPECIFIED	DFTM. K. A. M.	TIMES MICROWAVE SYSTEMS
	ALL DIMENSIONS ARE IN mm	DATE 10/13/10	
USED ON:	TOLERANCES: .X = ± 0.2 .XX = ± 0.1	CHKD. J. D. B.	CONNECTOR, TC-400-716M-X
		DATE 10/18/10	7/16 MALE
		APPD. J. D. B.	FOR LMR400 CABLE
SCALE: ~	DWG. SIZE A	DO NOT SCALE DRAWING	CODE IDENT 68999
		DATE 10/18/10	DATE 10/18/10
		1 of 1	SD3190-2597
			REV C