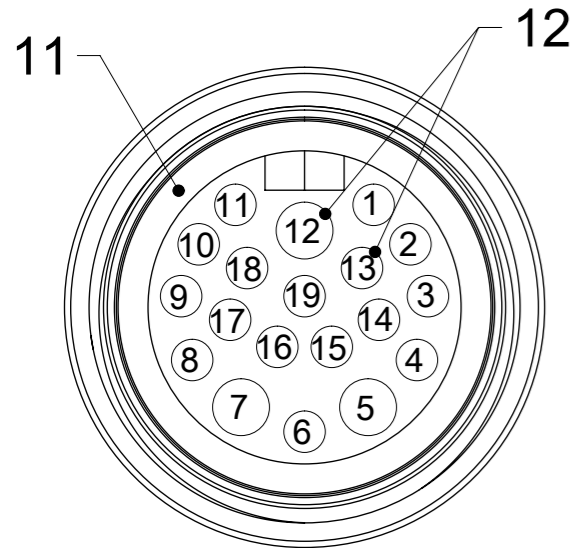


**TABLE 1**

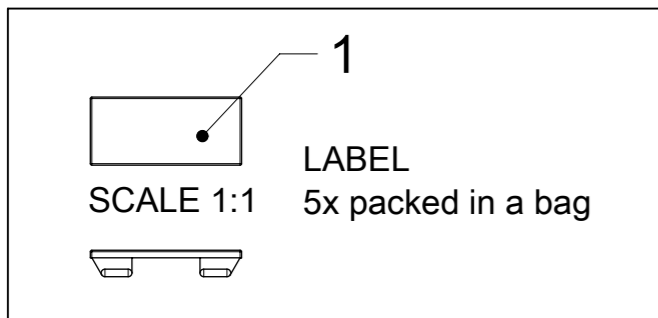
MOLEX P/N	ENG. NO.	CABLE LENGTH (mm)	LED
1202480110	BTB4120-FBW-003	300	NO
1202480111	BTB4120-FBW-01	1000	NO
1202480112	BTB4120-FBW-05	5000	NO
1202480113	BTB4120-FBW-10	10000	NO
1202480114	BTB412N-FBW-003	300	YES
1202480115	BTB412N-FBW-05	5000	YES

**19 POLE MALE FACE VIEW**



PIN	COLOR
3	GREY
4	RED/BLUE
5	BLUE
6	GREEN
7	BROWN
8	WHITE/GREEN
12	YELLOW/GREEN
14	BROWN/GREEN
15	WHITE
16	YELLOW
19	GREY/PINK

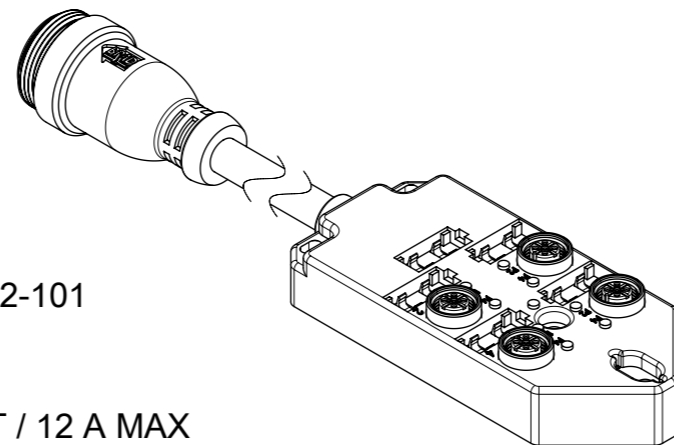
SCALE 2:1



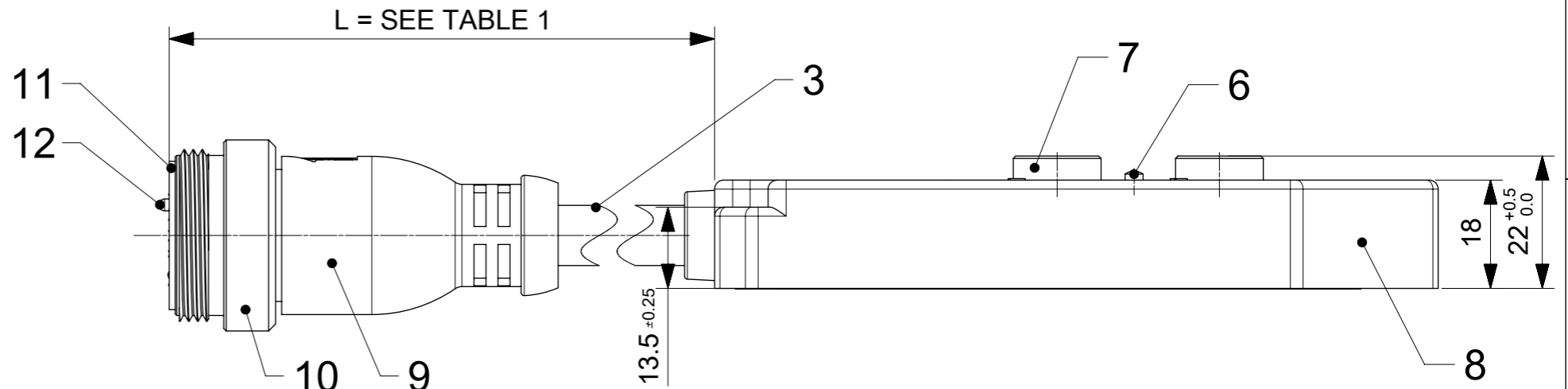
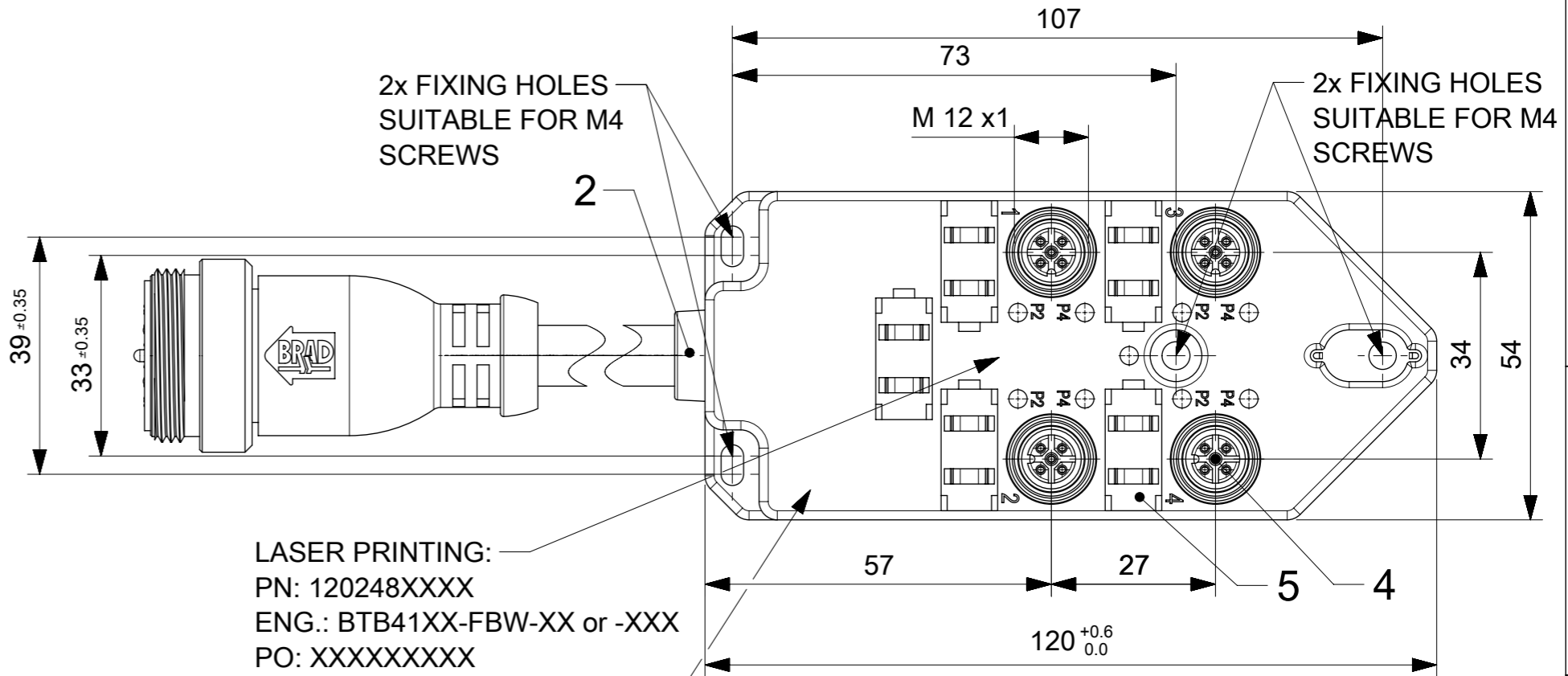
**GENERAL CHARACTERISTICS:**

ELECTRICAL AND MECHANICAL DATA ACC. TO IEC 61076-2-101

NOMINAL VOLTAGE: 10-30 V DC  
 AMPERE RATING: 4 A PER PORT / 12 A MAX  
 AMPERE RATING WITH UL REGISTRATION: 3 A PER PORT / 9 A MAX  
 IP DEGREE OF PROTECTION: IP 67  
 TEMPERATURE RANGE: -25°C to + 85°C

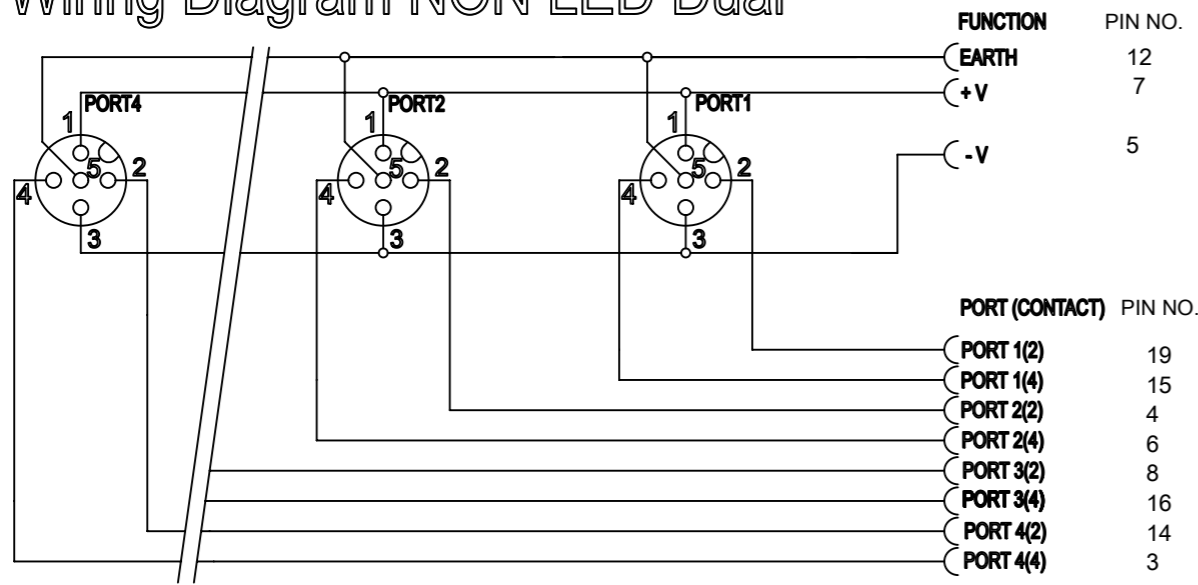


SCALE 1:2

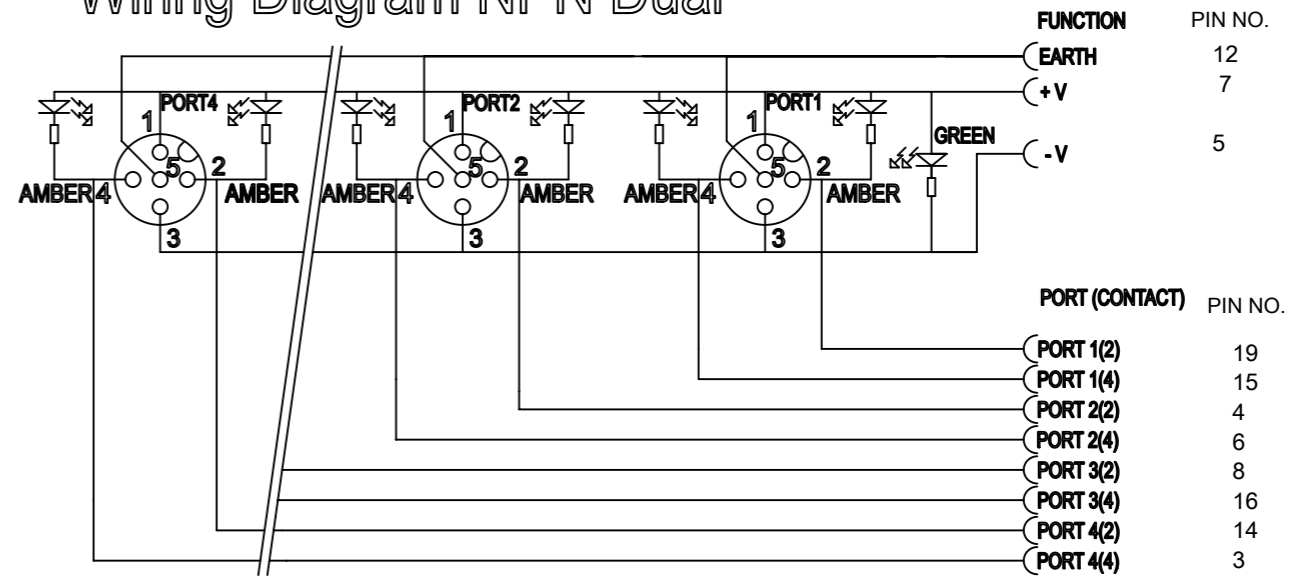


SYMBOLS		THIS DRAWING CONTAINS INFORMATION THAT IS PROPRIETARY TO MOLEX ELECTRONIC TECHNOLOGIES, LLC AND SHOULD NOT BE USED WITHOUT WRITTEN PERMISSION	
▽ = 0	mm	SCALE	CURRENT REV DESC: LASER PRINTING ADDED
▽ = 0	GENERAL TOLERANCES (UNLESS SPECIFIED)		<b>molex</b>
▽ = 0	ANGULAR TOL ± °		
▽ = 0	4 PLACES ±	EC NO: 606042	MPIS M12 PNP NOS 5P 4PT AC FE STR XM 19P MC MA
▽ = 0	3 PLACES ±	DRWN: MDHARMANTI 2018/08/30	
▽ = 0	2 PLACES ±	CHK'D: RSILLER 2018/10/18	PRODUCT CUSTOMER DRAWING
▽ = 0	1 PLACE ±	APPR: RSILLER 2018/10/18	
▽ = 0	0 PLACES ± 0.25	INITIAL REVISION:	DOCUMENT NUMBER
□ = 0	DRAFT WHERE APPLICABLE MUST REMAIN WITHIN DIMENSIONS	DRWN: ULETENMEIER 2016/10/20	1202480110
▽ = 0		APPR: RSILLER 2016/11/16	DOC TYPE DOC PART REVISION
	THIRD ANGLE PROJECTION	DRAWING	PSD 000 B
		SERIES	
		MATERIAL NUMBER	
		CUSTOMER	
		SHEET NUMBER	
		A3-SIZE	
		120248	
		SEE TABLE 1	
		GENERAL MARKET	
		1 OF 2	

# Wiring Diagram NON LED Dual



# Wiring Diagram NPN Dual



## TABLE 2 BILL OF MATERIAL

ITEM	DESCRIPTION	MATERIAL	FINISH
1	LABEL	ABS	WHITE
2	CABLE PLATE	PBT	BLACK
3	CABLE	TPU BASED	BLACK
4	CONTACT	BRASS	GOLD OVER NICKEL
5	O-RING	FPM	RED
6	LED	NO LED = PA	BLACK
		WITH LED = PA	TRANSPARENT
7	SHELL	BRASS	NICKEL PLATED
8	HOUSING	PBT	BLACK
9	OVERMOLDING	PVC	YELLOW
10	COUPLING NUT	ZINC DIE CAST	BLACK
11	INSERT	PVC	BLACK
12	CONTACT	BRASS	GOLD OVER NICKEL

<b>SYMBOLS</b> ▽ = 0 ▽ = 0 ▽ = 0 ▽ = 0 ▽ = 0 ▽ = 0 ▽ = 0 ▽ = 0 ▽ = 0 ▽ = 0 ▽ = 0 ▽ = 0	THIS DRAWING CONTAINS INFORMATION THAT IS PROPRIETARY TO MOLEX ELECTRONIC TECHNOLOGIES, LLC AND SHOULD NOT BE USED WITHOUT WRITTEN PERMISSION DIMENSION UNITS: <b>mm</b> SCALE:	CURRENT REV DESC: LASER PRINTING ADDED	 MPIS M12 PNP NOS 5P 4PT AC FE STR XM 19P MC MA PRODUCT CUSTOMER DRAWING	
	GENERAL TOLERANCES (UNLESS SPECIFIED) ANGULAR TOL ± °	EC NO: 606042 DRWN: MDHARMANTI 2018/08/30 CHK'D: RSILLER 2018/10/18 APPR: RSILLER 2018/10/18		DOCUMENT NUMBER: <b>1202480110</b> DOC TYPE: PSD DOC PART: 000 REVISION: B
	4 PLACES ± 3 PLACES ± 2 PLACES ± 1 PLACE ± 0 PLACES ± 0.25	INITIAL REVISION: DRWN: ULETENMEIER 2016/10/20 APPR: RSILLER 2016/11/16		MATERIAL NUMBER: SEE TABLE 1 CUSTOMER: GENERAL MARKET SHEET NUMBER: 2 OF 2
	DRAFT WHERE APPLICABLE MUST REMAIN WITHIN DIMENSIONS	THIRD ANGLE PROJECTION 		DRAWING: A3-SIZE SERIES: 120248