



### Electrical specifications

**Center Frequency:** 5600 MHz  
**Bandwidth (BW):** Fo $\pm$ 110 MHz  
**Insertion loss (F0):** 3.0 dB max  
**Ripple in BW:** 1.0 dB max  
**VSWR:** 1.6:1  
**Attenuation 1:** 25 dB @5420 MHz  
**Attenuation 2:** 15 dB @5780 MHz  
**In/Out Impedance:** 50 Ohm  
**Input power:** 1 watt

### Mechanical

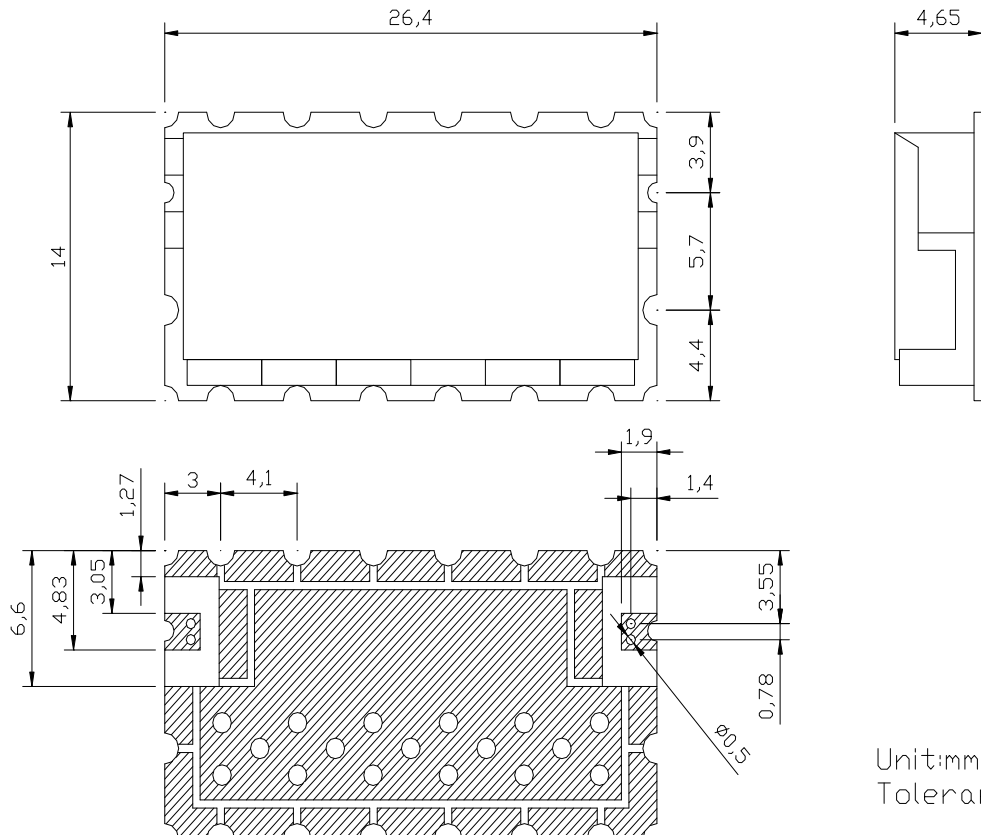
**Mounting Method:** SMT  
**Dimensions:** 26.4 X 14 X 4.65 mm

### Environmental

**Operating Temperature:** -45 to +85° C  
**Storage Temperature:** -55 to +95° C  
**Shock:** 20 G. 11ms  
**Vibration:** 20 G. 5 to 200 MHz

This product is RoHS compliant.

### Outline Drawing:



Unit:mm  
Tolerance: $\pm 0.3$