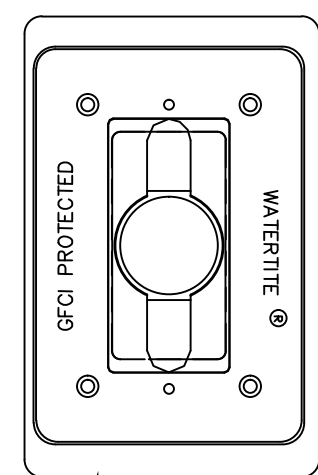
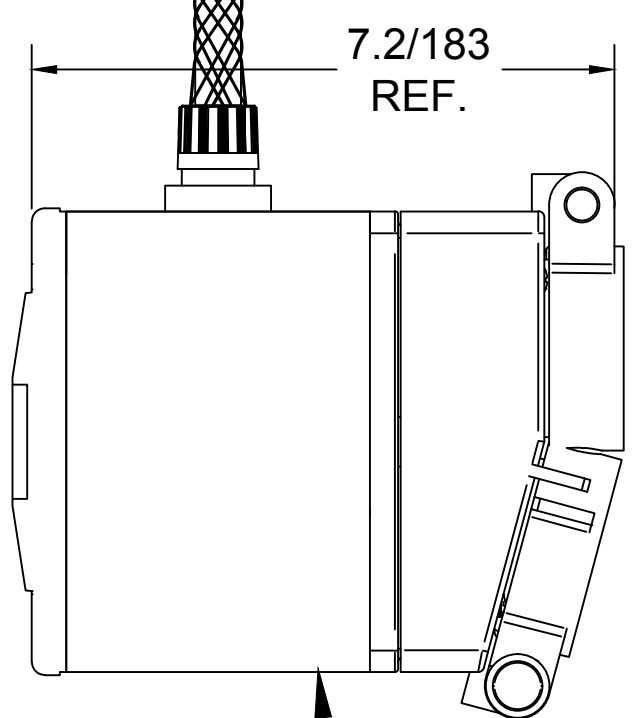
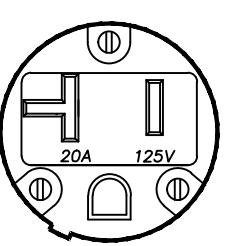


50 FT. 12-3 YELLOW SOOW CORD



FACE VIEW OF GFCI CLEAR SILICON COVERPLATE WITH 20A/125V GFCI

RUBBER OUTLET BOX COLOR: YELLOW



FACE VIEW OF RECEPTACLES NEMA 5-20R

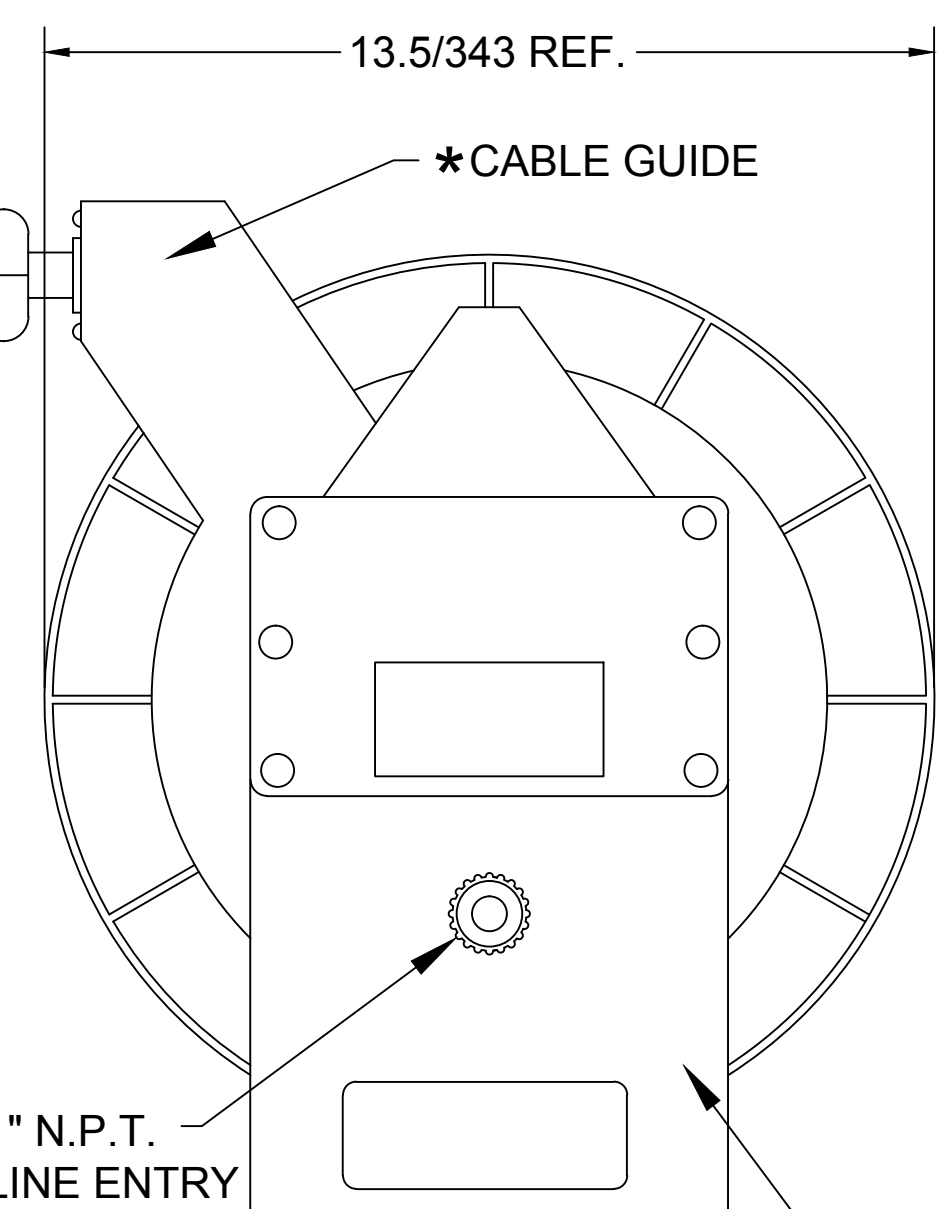
20A/125V 5-20R DUPLEX RECEPTACLE WITH LEXAN FLIP LIDS

STRAIN RELIEF WIRE MESH NON-METALLIC

4.7/119 REF.

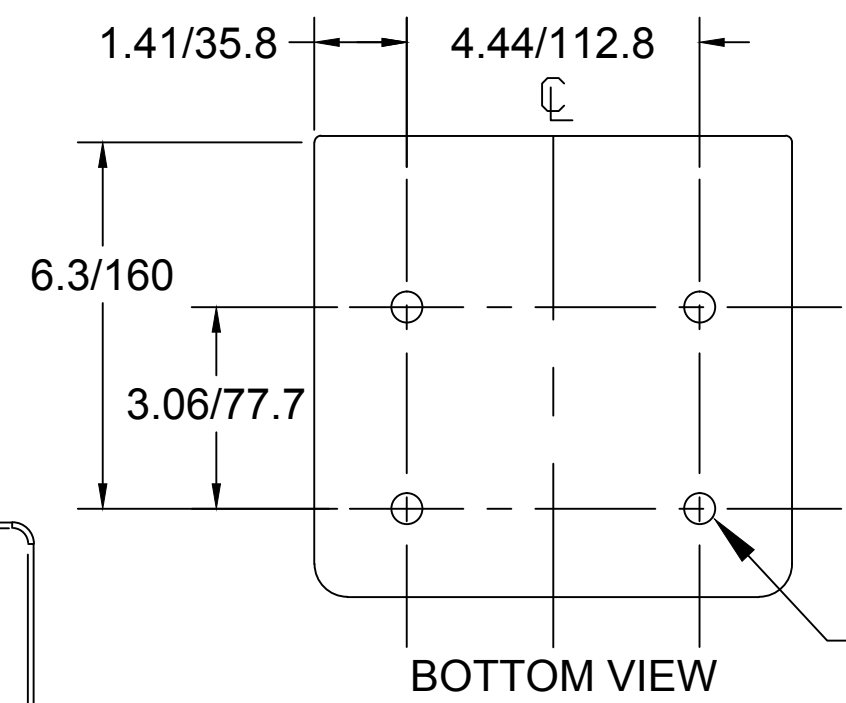
3.12/79.2 REF.

BALL STOP 9521



1" N.P.T. LINE ENTRY

CORD REEL (92433)



.47 THRU DIA., 4-PLACES MOUNTING HOLES

\* CABLE GUIDE IS ADJUSTABLE EVERY 5 DEGREES OVER 270 DEGREE ARC.  
 \*\* ELECTRICAL RATING: 18A, 120V

RELEASE SALES DRA EC NO.: IFC2015-0230 DRWN: HRUIZ01 2014/08/05 CH'KD: HKNEELAN 2014/08/05 APPR: JFMURPHY 2014/10/03	QUALITY SYMBOL	GENERAL TOLERANCES (UNLESS SPECIFIED)		DIMENSION STYLE INCH/MM		SCALE NTS	DESIGN UNITS INCH	THIRD ANGLE PROJECTION	
	▼=0	4 PLACES	mm ±---	INCH ±---	DRAWN BY HRUIZ01	DATE 2014/08/05	TITLE		
	▽=0	3 PLACES	±---	±.005	CHECKED BY HKNEELAN	DATE 2014/08/05	92433 CABLE REEL 20A/125V GFCI OUTLET BOX 9521 CABLE STOP		
		2 PLACES	±.13	±.010	APPROVED BY JFMURPHY	DATE 2014/10/03	MOLEX INCORPORATED		
		1 PLACE	±.25	±.020	MATERIAL NO. 130083-0922		DOCUMENT NO. SD-130083-050	SHEET NO. 1 OF 1	
		ANGULAR ±1/2°		THIS DRAWING CONTAINS INFORMATION THAT IS PROPRIETARY TO MOLEX INCORPORATED AND SHOULD NOT BE USED WITHOUT WRITTEN PERMISSION					
		DRAFT WHERE APPLICABLE MUST REMAIN WITHIN DIMENSIONS							