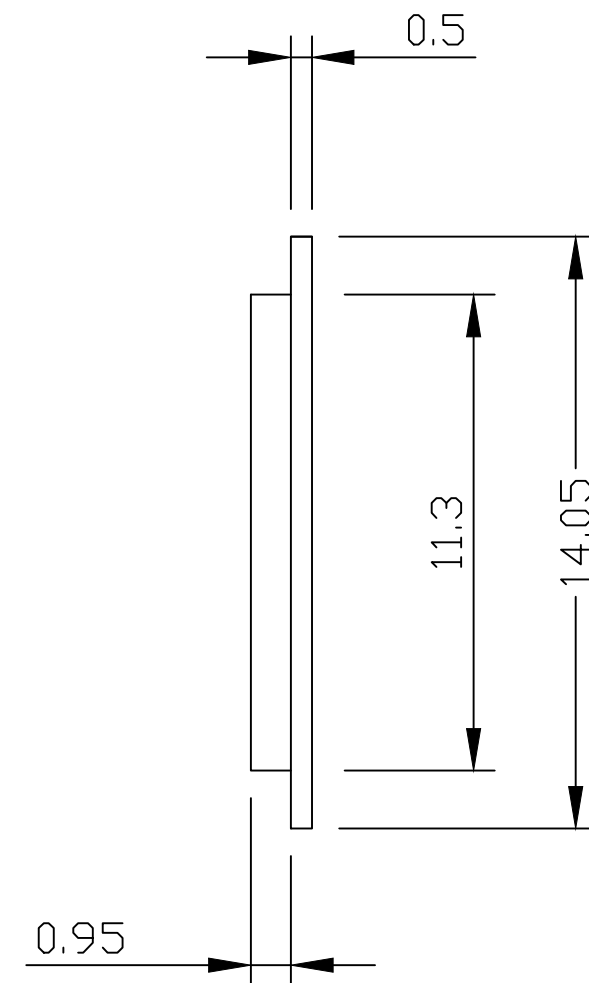
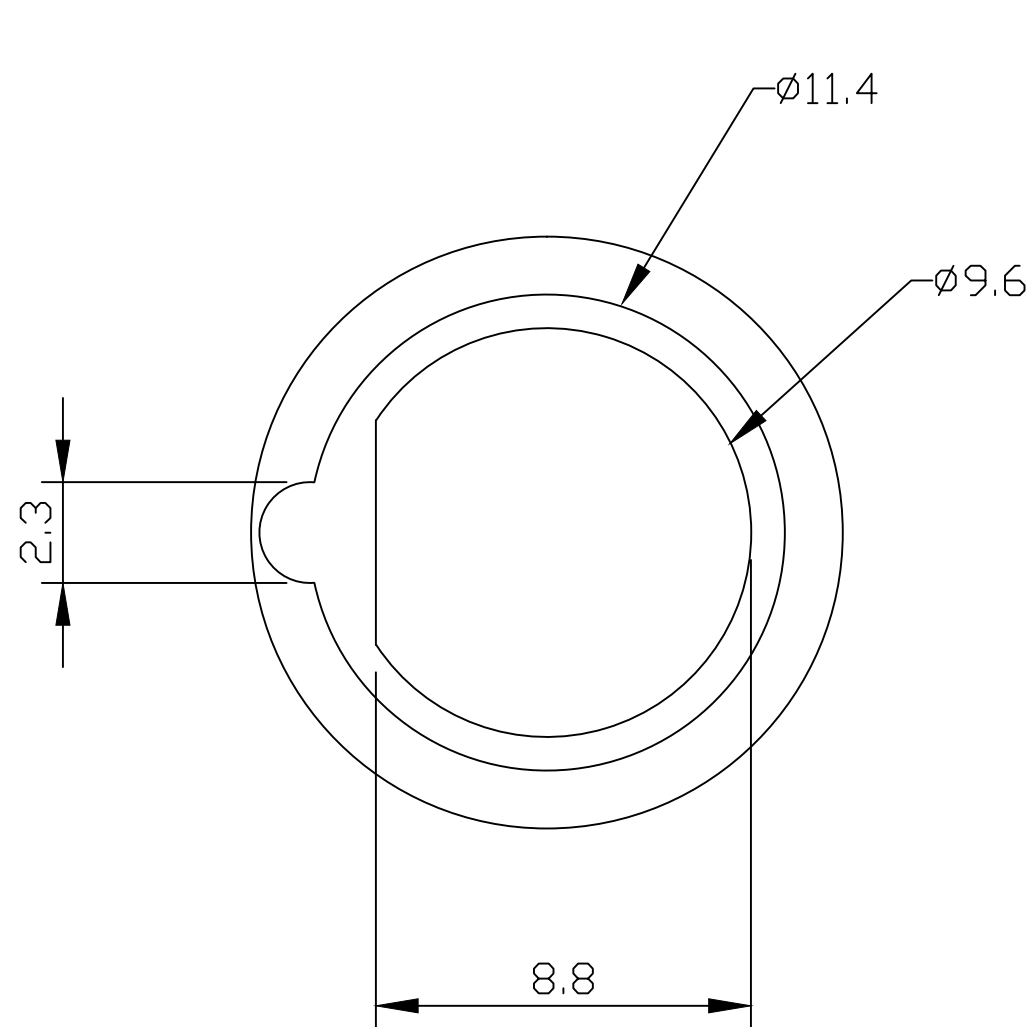


ROHS COMPLIANT
MATERIAL: NYLON



TOLERANCE ON HEIGHT OF PAD SHALL BE $\pm 0.38\text{MM}$

| | | | |
|----------------------------|-------|-----|-----------|
| D17509 - Dimensions Update | MS | 1 | 03 NOV 21 |
| First Issue | JC | 1 | 21 SEP 11 |
| DESCRIPTION OF REVISION | APPVD | ISS | DATE |



CINCH CONNECTIVITY SOLUTIONS
11 Bilton Road,
Chelmsford, Essex,
CM1 2UP, UK.
Tel: +44 (0) 1245 359515
Fax: +44 (0) 1245 358938

SCALE: 5:1
DIMENSIONS: mm
TOLERANCES:
 $\pm 0.2\text{mm}$ unless
otherwise stated

| | |
|--------------|-------------|
| DRAWN BY: | J.CRACKNELL |
| CHECKED BY: | M. SPOONER |
| APPROVED BY: | M.SPOONER |
| DATE: | 21 SEPT 11 |

TITLE:
ISOLATING WASHER

PART NUMBER:
VIW-1094
PAGE: 1 of 1