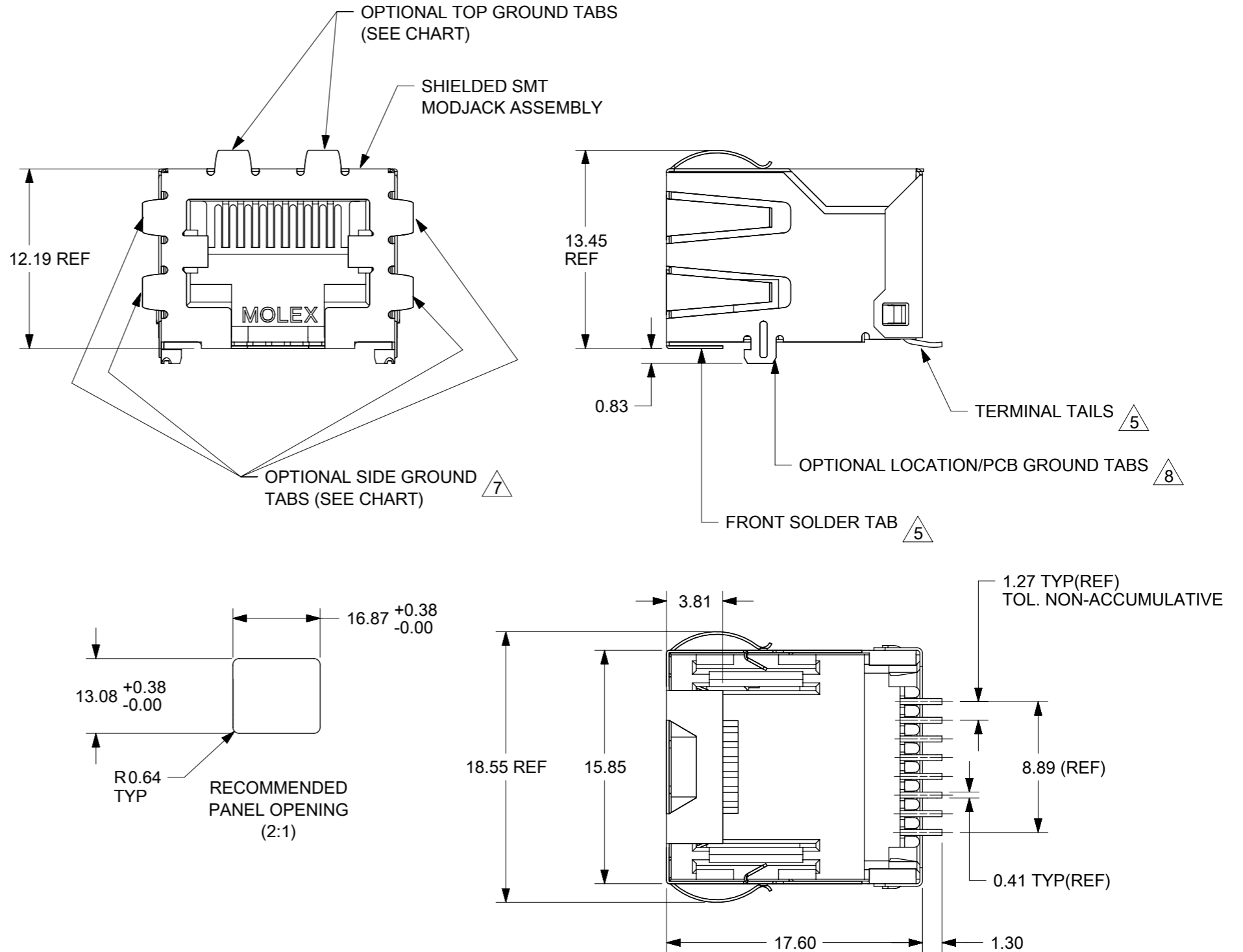


NOTES:

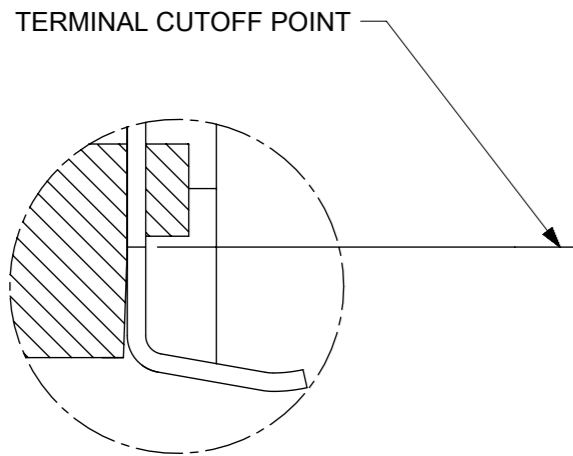
- 1) MATERIAL:  
HOUSING & INSULATOR: NYLON(PA), GLASS FILLED, UL94V-0, COLOR: BLACK  
TERMINALS: PHOSPHOR BRONZE, 0.30 mm THICK  
SHIELD: BRASS
- 2) FINISH:  
TERMINALS:  
A = SELECT GOLD IN CONTACT AREA: 0.00127 mm MIN.,  
\*SELECT MATTE TIN IN PC TAIL AREA: 0.00254 mm MIN.,  
WITH OVERALL NICKEL UNDERPLATE: 0.00127 mm MIN.  
B = SELECT GOLD IN CONTACT AREA: 0.00076 mm MIN.,  
\*SELECT MATTE TIN IN PC TAIL AREA: 0.00254 mm MIN.,  
WITH OVERALL NICKEL UNDERPLATE: 0.00127 mm MIN.  
C = SELECT GOLD IN CONTACT AREA: 0.00038 mm MIN.,  
\*SELECT MATTE TIN IN PC TAIL AREA: 0.00254 mm MIN.,  
WITH OVERALL NICKEL UNDERPLATE: 0.00127 mm MIN.  
SHIELD:  
\*2.54 MICROMETER NICKEL OVER 1.27 MICROMETER COPPER UNDERPLATE  
PCB GROUND TABS DIPPED IN TIN  
\*THE PRIMARY SHIPPING CARTON WILL BE LABELED "COMPLIANT TO RoHS  
DIRECTIVE 2002/95/EC AND ELV ANNEX II OF DIRECTIVE 2000/53/EC".  
CARTONS WITHOUT THIS LABEL MAY CONTAIN PRODUCT WITH TIN-LEAD  
IN THE PC TAILS AND/OR SHIELD.
- 3) PRODUCT SPECIFICATION AND PROCESSING PARAMETERS: PS-43743-0001.
- 4) PACKAGING SPECIFICATION:  
CONNECTOR ASSEMBLIES TO BE PACKAGED USING TAPE & REEL SYSTEM  
PER PACKAGING DRAWING PK-70873-7006.
- 5) COPLANARITY SPECIFICATION:  
WHEN AN ASSEMBLY IS PLACED UPON A LEVEL SURFACE, THE MAXIMUM  
GAP BETWEEN THE LEVEL SURFACE AND ALL TERMINAL TAILS AND  
FRONT SOLDER TAB IS 0.15 mm.
- 6) THRU HOLES 2.39±0.05 mm ARE FOR SHIELDS WITH LOCATION TABS ONLY.
- 7) AVAILABLE WITH (4) OPTIONAL SIDE GROUND TABS (OMITTED FOR SIDE TO SIDE  
STACKABILITY).
- 8) AVAILABLE WITH (2) OPTIONAL LOCATION TABS FOR LOCATING COMPONENT  
TO PCB AND/OR GROUNDING TO PCB.
- 9) FOR ASSEMBLIES HAVING VOIDED CIRCUITS, THE TAIL PORTION IS CUT  
AND REMOVED. THE MATING PORTION OF THE TERMINAL REMAINS INTACT.
- 10) CONFORMS TO FCC REGULATION PART 68.5 FOR MODULAR JACKS.
- 11) THIS PART CONFORMS TO CLASS B REQUIREMENTS OF COSMETIC  
SPECIFICATION PS-45499-002.



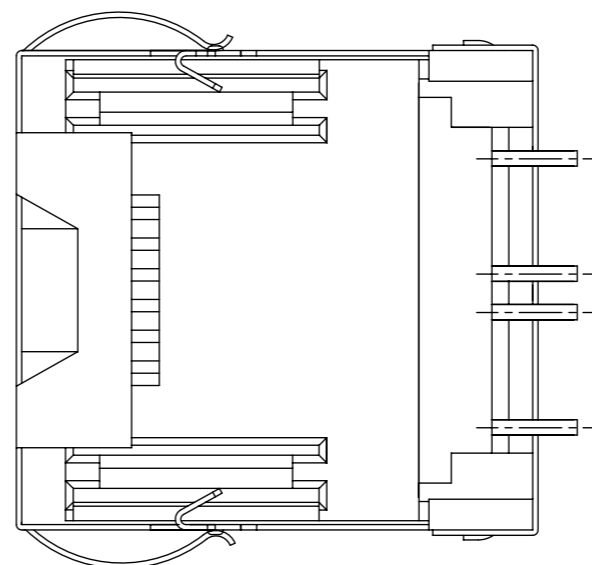
44282-0001 SHOWN

THIS DRAWING CONTAINS INFORMATION THAT IS PROPRIETARY TO MOLEX ELECTRONIC TECHNOLOGIES, LLC AND SHOULD NOT BE USED WITHOUT WRITTEN PERMISSION									
DIMENSION UNITS	SCALE	CURRENT REV DESC: OBSOLETE PART NUMBER AS PER PCN#509457.							
mm	3:1								
GENERAL TOLERANCES (UNLESS SPECIFIED)					SINGLE PORT, SHIELDED SIZE 8, 8 CIRCUIT SMT MODJACK				
ANGULAR TOL ± 0.5°					PRODUCT CUSTOMER DRAWING				
4 PLACES	±	EC NO: 680890	2021/10/08						
3 PLACES	±	DRWN: SANTHN	2021/11/25						
2 PLACES	± 0.25	CHK'D: GGA	2021/11/25						
1 PLACE	±	APPR: GGA	2021/11/25						
0 PLACES	±	INITIAL REVISION:			DOCUMENT NUMBER				
		DRWN: STAMBAUG	99/06/03	SD-44282-001			DOC TYPE	DOC PART	REVISION
		APPR: EDGLE	99/06/03				PSD	001	D6
DRAFT WHERE APPLICABLE MUST REMAIN WITHIN DIMENSIONS		THIRD ANGLE PROJECTION	DRAWING	SERIES	MATERIAL NUMBER	CUSTOMER		SHEET NUMBER	
			A3-SIZE	44282	SEE CHART	GENERAL MARKET		1 OF 2	

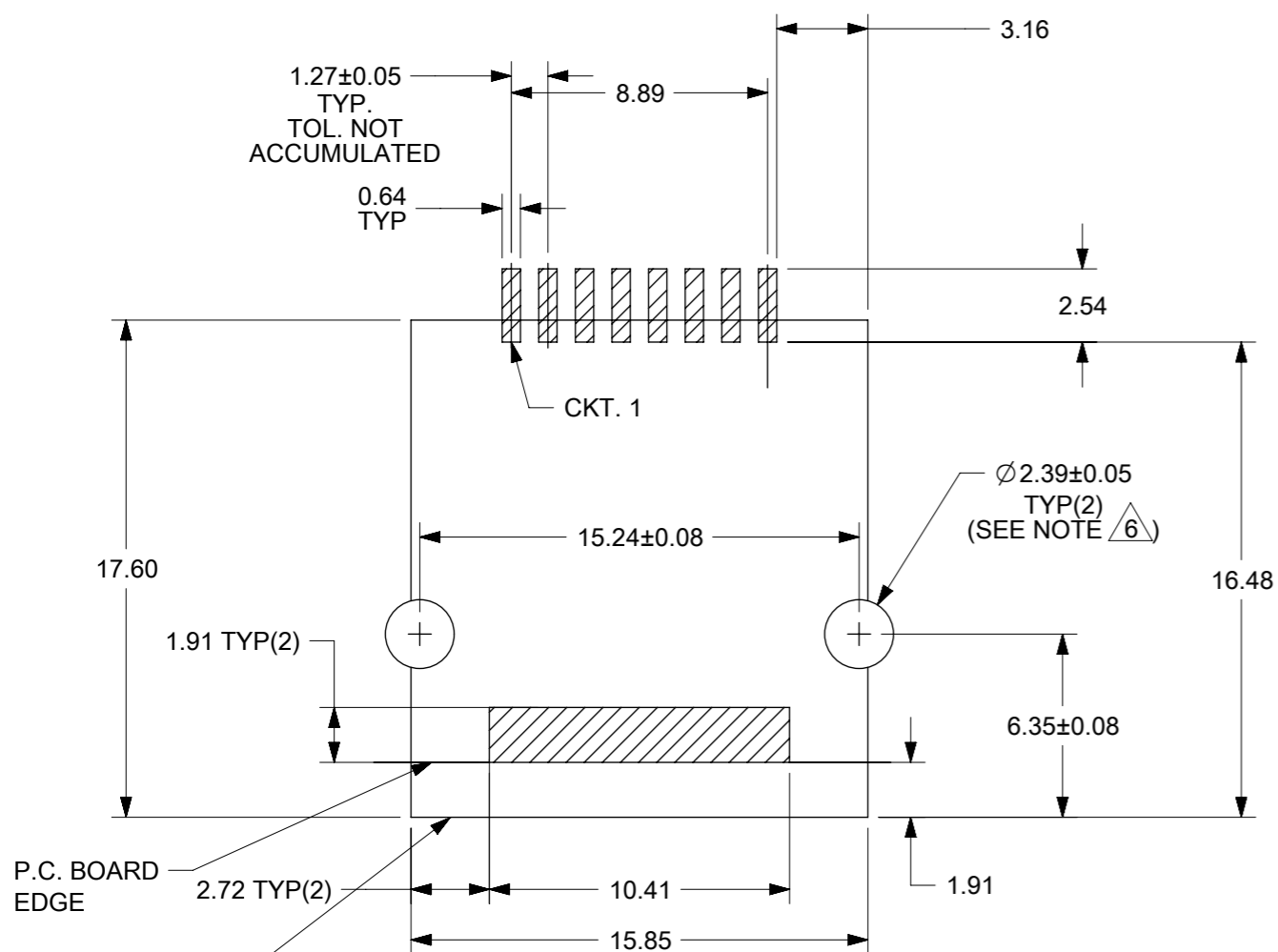
44282-0001	A	YES	YES	YES	NONE
ASSEMBLY MAT. NO.	TERMINAL PLATING	SHIELD SIDE TABS	SHIELD TOP TABS	LOCATION TABS	VOIDED CIRCUITS
DOCUMENT STATUS	P1	RELEASE DATE	2021/11/25	12:19:19	



VIEW SHOWING TYPICAL TERMINAL CUTOFF OF TAIL (SEE NOTE 10) FOR VOIDED CIRCUITS.



TYPICAL VIEW SHOWING VOIDED CIRCUIT (CIRCUITS 2,3,6 & 7 SHOWN VOIDED)



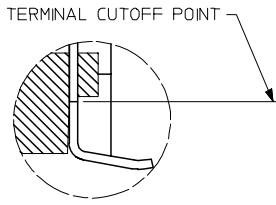
**PC BOARD LAYOUT FOR  
8 POSITION HOUSING**  
(COMPONENT SIDE OF BOARD)

NOTES:  
1. RECOMMENDED MINIMUM PCB THICKNESS: 0.86 mm.

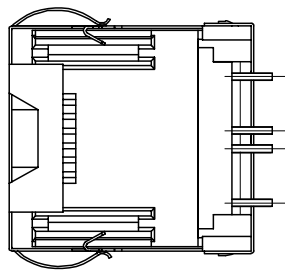
THIS DRAWING CONTAINS INFORMATION THAT IS PROPRIETARY TO MOLEX ELECTRONIC TECHNOLOGIES, LLC AND SHOULD NOT BE USED WITHOUT WRITTEN PERMISSION																	
DIMENSION UNITS	SCALE	CURRENT REV DESC: OBSOLETED PART NUMBER AS PER PCN#509457.															
mm	1:1																
GENERAL TOLERANCES (UNLESS SPECIFIED)																	
ANGULAR TOL	± 0.5°	SINGLE PORT, SHIELDED SIZE 8, 8 CIRCUIT SMT MODJACK															
4 PLACES	±	PRODUCT CUSTOMER DRAWING															
3 PLACES	±	EC NO: 680890	2021/10/08	<table border="1"> <tr> <td>DOCUMENT NUMBER</td> <td>DOC TYPE</td> <td>DOC PART</td> <td>REVISION</td> </tr> <tr> <td>SD-44282-001</td> <td>PSD</td> <td>001</td> <td>D6</td> </tr> </table>						DOCUMENT NUMBER	DOC TYPE	DOC PART	REVISION	SD-44282-001	PSD	001	D6
DOCUMENT NUMBER	DOC TYPE	DOC PART	REVISION														
SD-44282-001	PSD	001	D6														
2 PLACES	± 0.25	DRWN: SANTHN	2021/11/25														
1 PLACE	±	CHK'D: GGA	2021/11/25														
0 PLACES	±	APPR: GGA	2021/11/25														
DRAFT WHERE APPLICABLE MUST REMAIN WITHIN DIMENSIONS		INITIAL REVISION:		MATERIAL NUMBER													
THIRD ANGLE PROJECTION		DRAWING		SERIES		CUSTOMER		SHEET NUMBER									
		A3-SIZE		44282		GENERAL MARKET		2 OF 2									

13 12 11 10 9 8 7 6 5 4 3 2 1

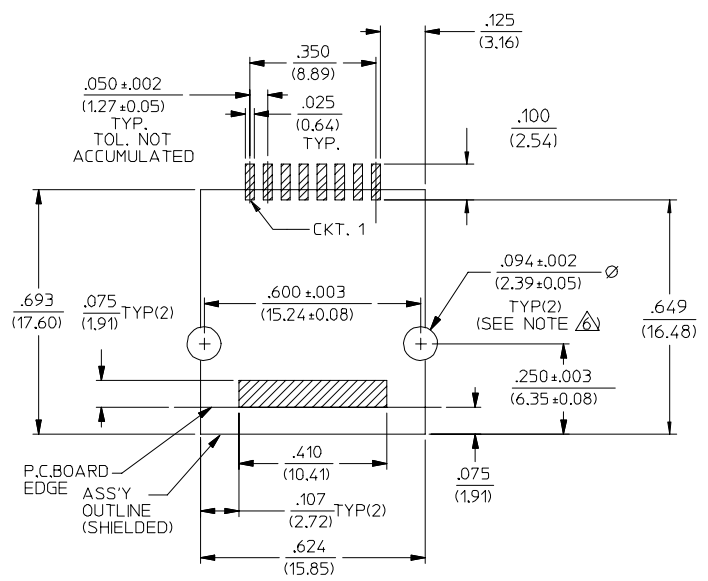
J  
I  
H  
G  
F  
E  
D  
C  
B  
A



VIEW SHOWING TYPICAL TERMINAL CUTOFF OF TAIL (SEE NOTE 10) FOR VOIDED CIRCUITS.



TYPICAL VIEW SHOWING VOIDED CIRCUIT (CIRCUITS 2,3,6 & 7 SHOWN VOIDED)



PC BOARD LAYOUT FOR 8 POSITION HOUSING  
(COMPONENT SIDE OF BOARD)

NOTES:  
1. RECOMMENDED MINIMUM PCB THICKNESS: .034/0.86

SEE SHEET ONE FC NO: UCP2008-0143 DRAWN: JBELL 2007/07/24 CHKD: LS/MI DT 2007/07/30 APPR: FSM TH 2007/08/01 D2	QUALITY SYMBOLS ▽=0 ▽=0	GENERAL TOLERANCES (UNLESS SPECIFIED)		DIMENSION STYLE IN/MM		SCALE 4:1	DESIGN UNITS INCH	THIRD ANGLE PROJECTION			
		4 PLACES ± --- ± ---	mm INCH	DRAWN BY STAMBAUG	DATE 99/06/03	TITLE SURFACE MOUNT MODULAR JACK W/ SHIELD					
		3 PLACES ± --- ± .010		CHECKED BY WIRKUS	DATE 99/06/03	MOLEX INCORPORATED					
		2 PLACES ± 0.25 ± --- 1 PLACE ± --- ± --- ANGULAR ±1/2°		APPROVED BY EDGLEY	DATE 99/06/03	MATERIAL NO. SEE CHART		DOCUMENT NO. SD-44282-001	SHEET NO. 2 OF 2		
DRAFT WHERE APPLICABLE MUST REMAIN WITHIN DIMENSIONS				SIZE C		THIS DRAWING CONTAINS INFORMATION THAT IS PROPRIETARY TO MOLEX INCORPORATED AND SHOULD NOT BE USED WITHOUT WRITTEN PERMISSION					

12 11 10 9 8 7 6 5 4 3 2 1