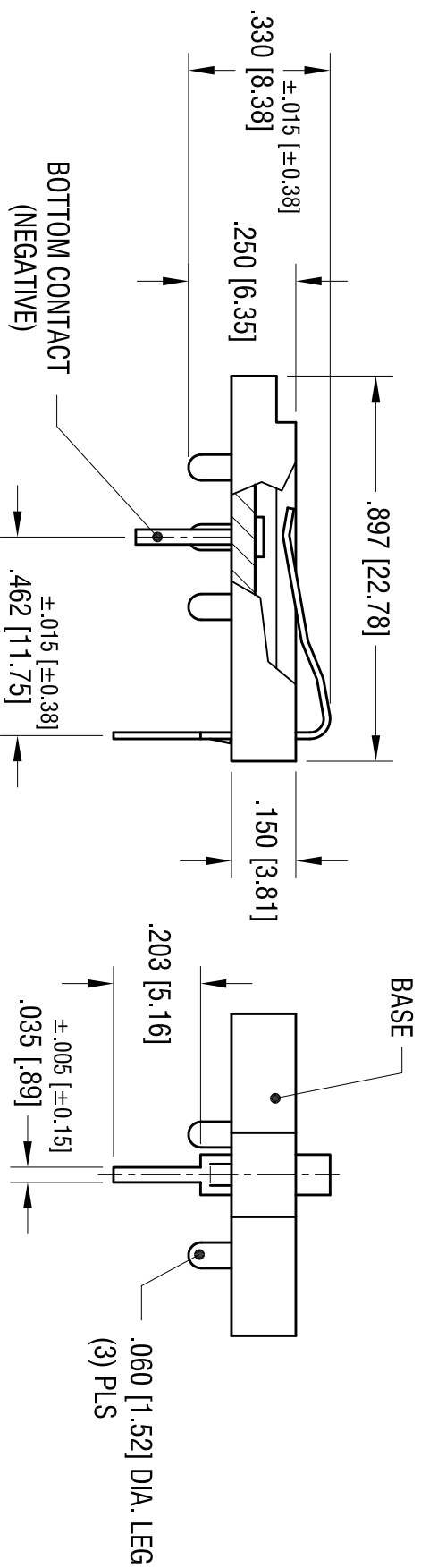
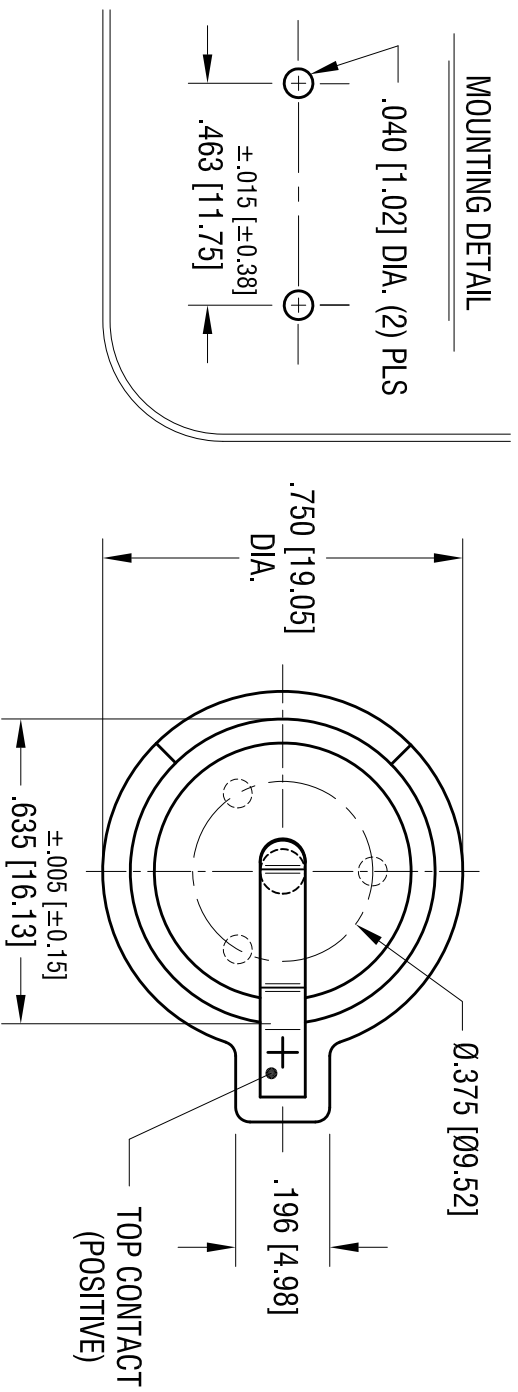
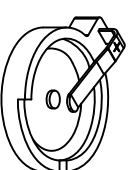


MOUNTING DETAIL



NOTE:

1. BASE: MAT'L- PTB (UL 94V-0)
COLOR- BLACK
2. TOP CONTACT: MAT'L-.015 [0.38] THK SPRING STEEL
FINISH- TIN NICKEL PLATE
3. BOTTOM CONTACT: MAT'L-.035 [0.89] DIA. STEEL
FINISH- TIN NICKEL PLATE



ACTUAL SIZE

DATE

11.2.11

DESCRIPTION

CHANGE AS PER ECN 11-144

REV.

A

KEYSTONE ELECTRONICS CORP.

www.keystone.com • NEW HYDE PARK, NY 11040 • Tel (516) 328-7500

PART NAME

1632 COIN CELL BATTERY HOLDER

MATERIAL

AS NOTED

FINISH

AS NOTED

TOLERANCES	INCH	[MM]	CODE	DWG NO.
DECIMAL	± .010	[± 0.25]	C	502-3
ANGULAR	± 1°			

THIS DOCUMENT IS THE PROPERTY OF KEYSTONE ELECTRONICS CORP. AND SHALL NOT BE REPRODUCED, DISTRIBUTED OR USED AS A BASIS FOR MANUFACTURE WITHOUT PRIOR WRITTEN PERMISSION FROM KEYSTONE ELECTRONICS CORP.

DRN BY	DATE
BOONE	10.10.06
APP'D	SCALE
RH	2.5X