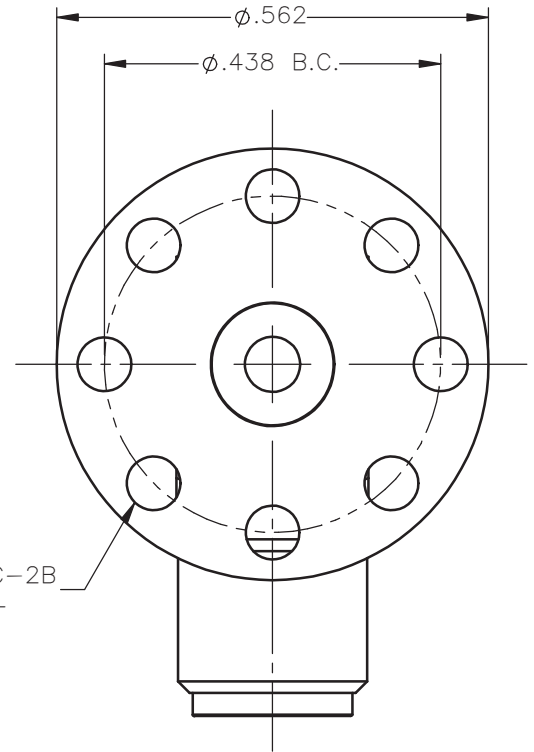
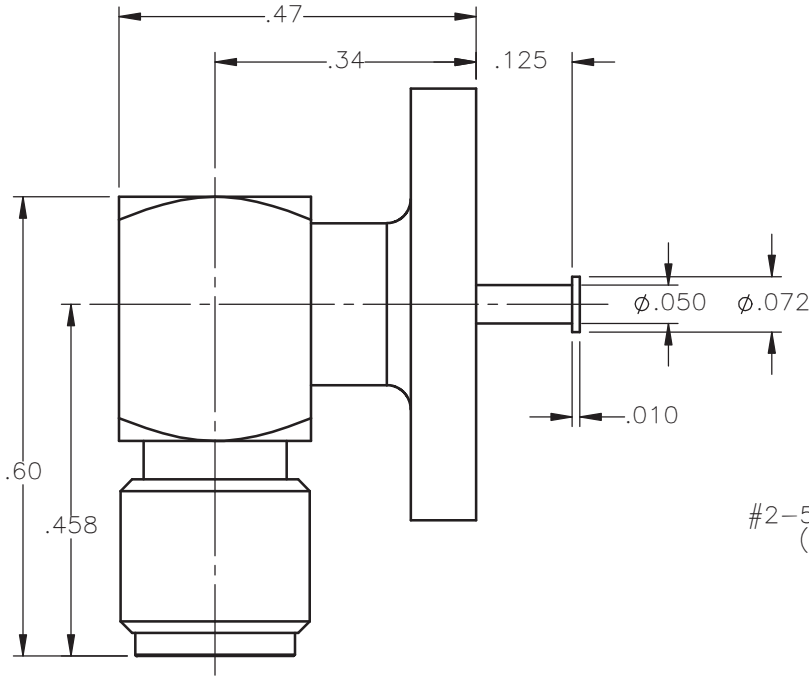


REVISIONS			
REV.	DESCRIPTION	DATE	APPROVED
A	INITIAL RELEASE	12/06/13	D.N.





NOTES:

MATERIALS:

1. BODIES = STAINLESS STEEL PER ASTM A582, ALLOY 303, CONDITION "A".
2. INSULATORS = VIRGIN WHITE TEFLON PER ASTM D1710, GRADE 1, TYPE I, CLASS "B".
3. FEMALE CONTACTS = BERYLLIUM COPPER PER ASTM B196, ALLOY C17300, TEMPER TD04.
4. MALE CONTACT & CAP = BRASS PER ASTM B16, ALLOY C36000, TEMPER H02.

FINISHES:

1. BODIES = GOLD PLATE PER MIL-G-45204, TYPE II, CLASS 0, GRADE C, OVER .000050 TO .00010 STRESS FREE NICKEL PER QQ-N-290.
2. CONTACTS = GOLD PLATE PER MIL-G-45204, TYPE II, CLASS 1, GRADE C, OVER .00010 TO .00020 STRESS FREE SULFAMATE NICKEL PER QQ-N-290.
3. CAP = GOLD PLATE PER MIL-G-45204, TYPE II, CLASS 0, GRADE C, OVER .00010 TO .00020 COPPER STRIKE PER MIL-C-14550.

UNLESS OTHERWISE SPECIFIED DIMENSIONS ARE IN INCHES TOLERANCES ON	DWN:	DATE	 Property of Radiall This document cannot be reproduced or communicated to a third party without prior written permission of RADIALL.			
	D.N.	12/06/13				
	CHKD:	DATE				
DECIMAL	ANGLE	J.S.	12/06/13	SMA RIGHT ANGLE JACK SURFACE MOUNT RECEPTACLE		
		APVD:	DATE			
		J.M.	12/06/13			
REFERENCE:	MATERIALS & FINISHES:		SIZE	FSCM NO.	DWG NO.	REV
ORIGINATED: D.N. DATE: 12/06/13	SEE NOTES		A	19505	9035-1513-003	A
			SCALE 4:1	THIRD ANGLE PROJECTION		SHEET 1 OF 1

9035-1513-003