

6

5

4

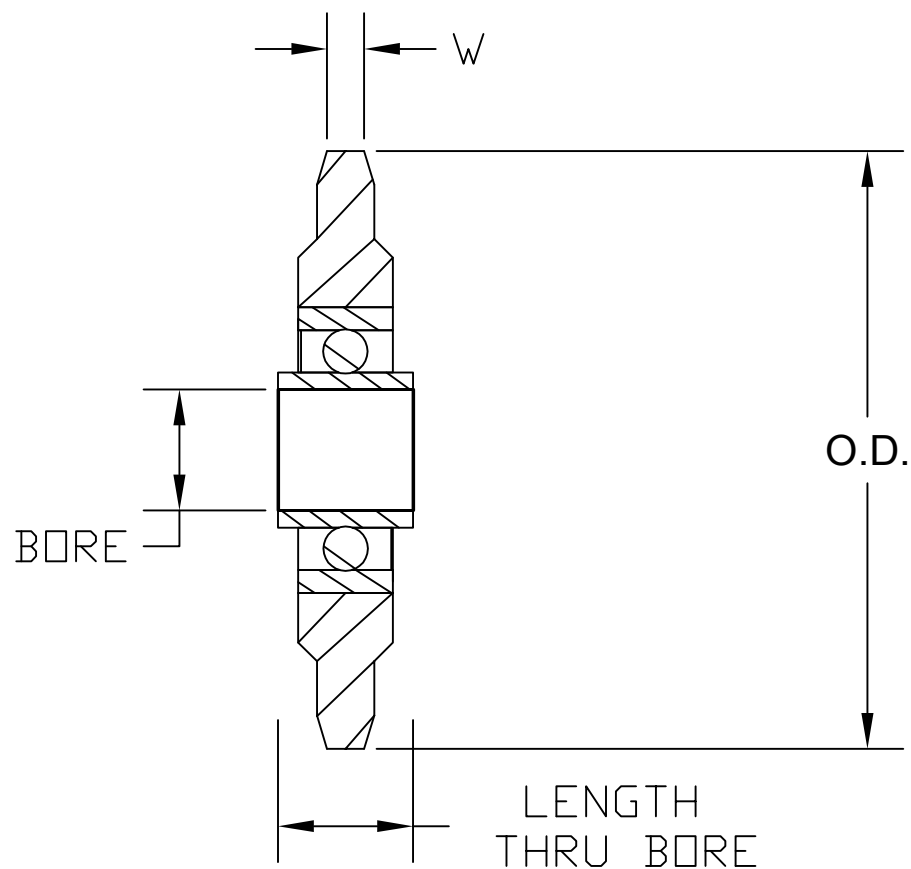
3

2

1

### BALL BEARING IDLER SPROCKET-HARDENED TEETH

NO. TEETH	DISCONTINUED PART NUMBER	CATALOG NUMBER	BEARING TYPE	CHAIN SIZE	O.D.	STOCK BORE	LENGTH THRU BORE	WIDTH	WT.Lbs.
18	40BB18H	40BB18H 5/8	BALL	40	3.1400	0.6380	0.7200	0.2840	0.5300



RELEASE DRAWING EC NO: WNA2009-0355 DRWN: TVICKERS 2008/12/12 CHKD: HK 2008/12/12 APPR: DITLUS 2008/12/18	QUALITY SYMBOLS ▽=0 ∇=0	GENERAL TOLERANCES (UNLESS SPECIFIED)		DIMENSION STYLE INCH		SCALE NTS	DESIGN UNITS INCH	THIRD ANGLE PROJECTION		
			mm	INCH	DRAWN BY TV	DATE 2008/12/12	TITLE IDLER GEAR MARTIN #40BB18H 5/8			
		4 PLACES	±----	±----	CHECKED BY HK	DATE 2008/12/12	MATERIAL NO. 1300930006			
		3 PLACES	±----	±.020	APPROVED BY DT	DATE 2008/12/12	DOCUMENT NO. V320348003		SHEET NO. 1 OF 1	
			2 PLACES	±----	±.010	MOLEX INCORPORATED				
			1 PLACE	±----	±.005	THIS DRAWING CONTAINS INFORMATION THAT IS PROPRIETARY TO MOLEX INCORPORATED AND SHOULD NOT BE USED WITHOUT WRITTEN PERMISSION				
ANGULAR ±5°			DRAFT WHERE APPLICABLE MUST REMAIN WITHIN DIMENSIONS							
A										

6

5

4

3

2

1