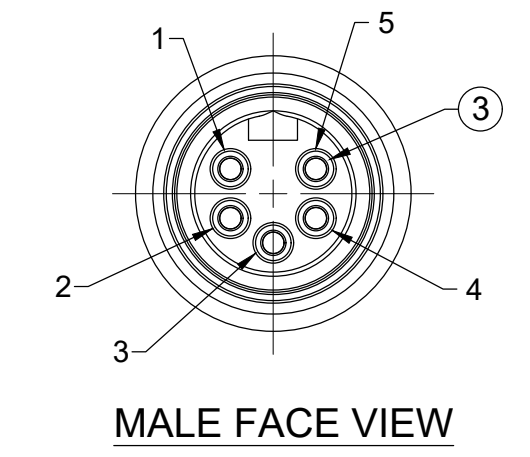
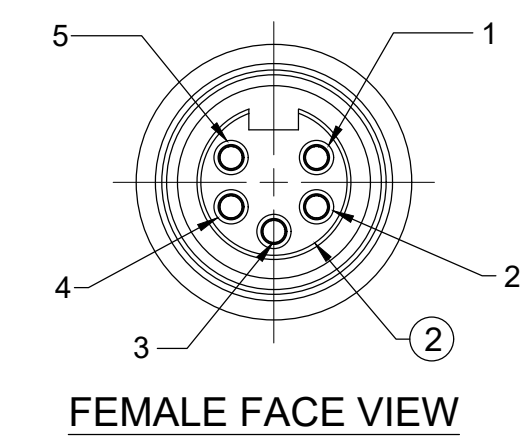
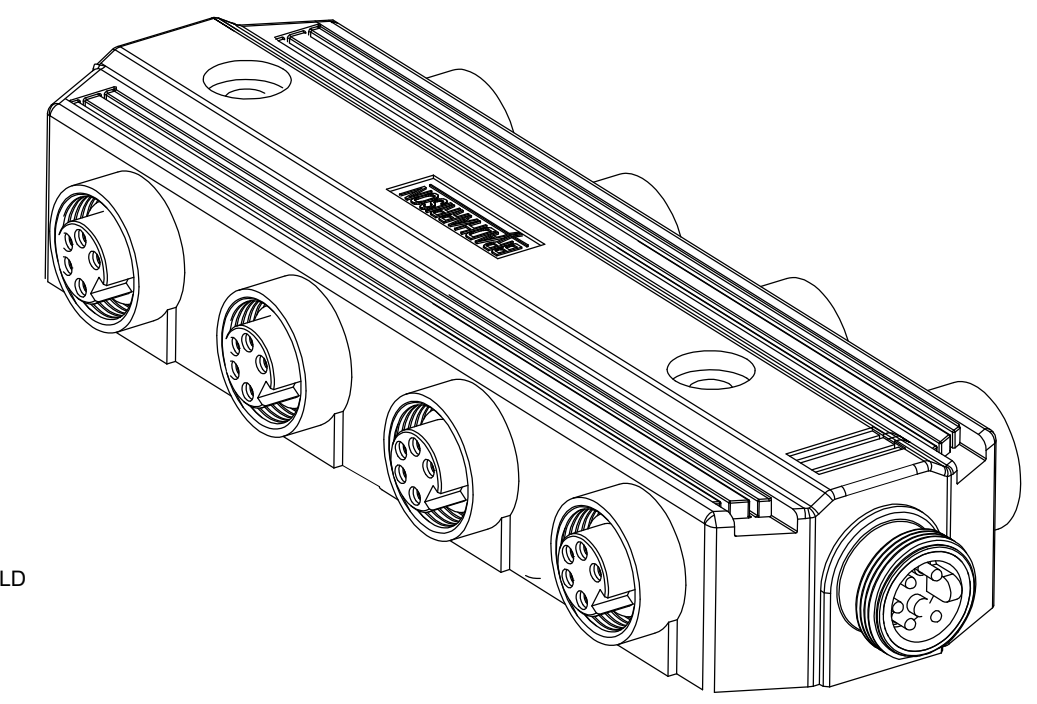
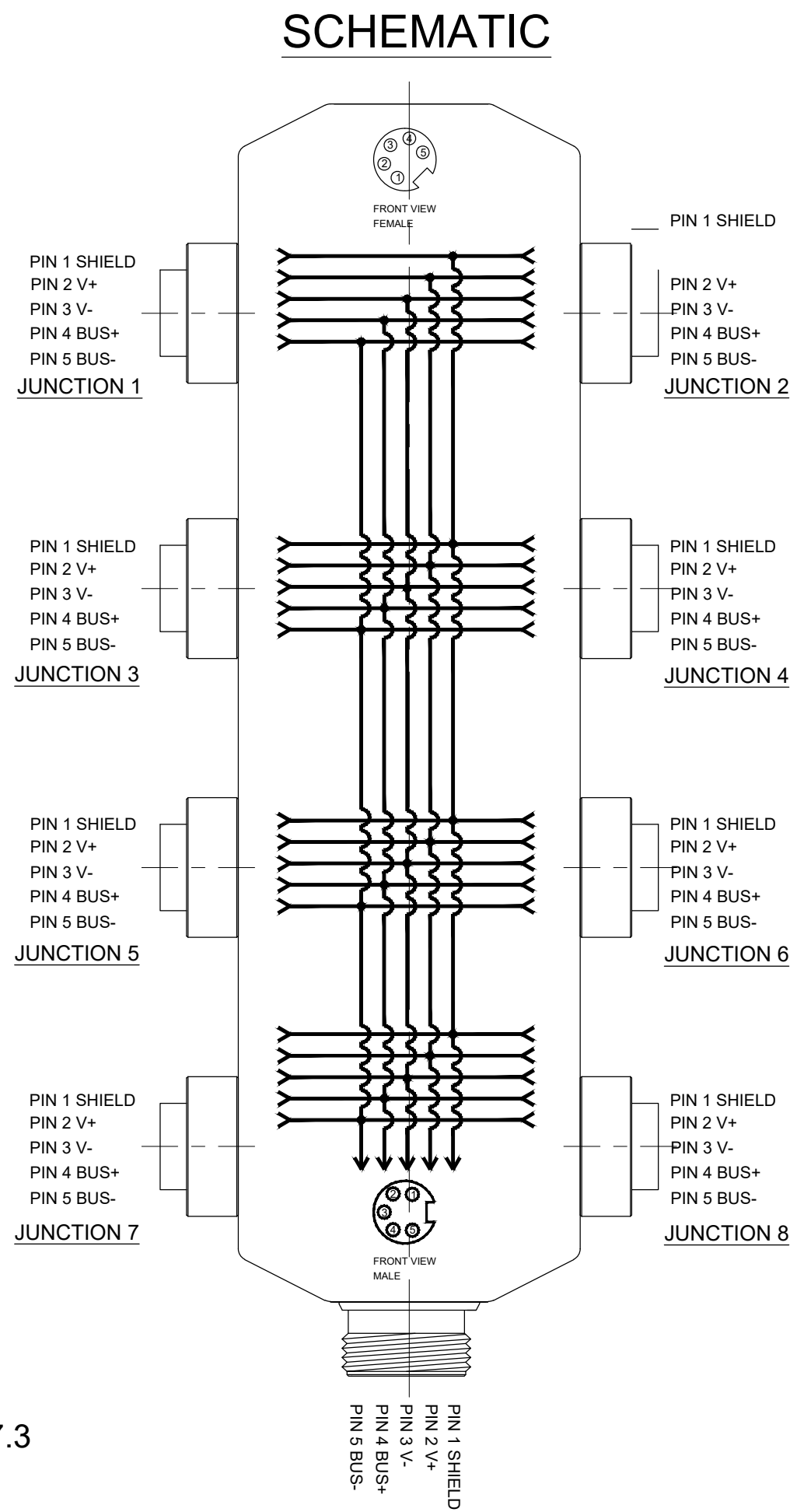
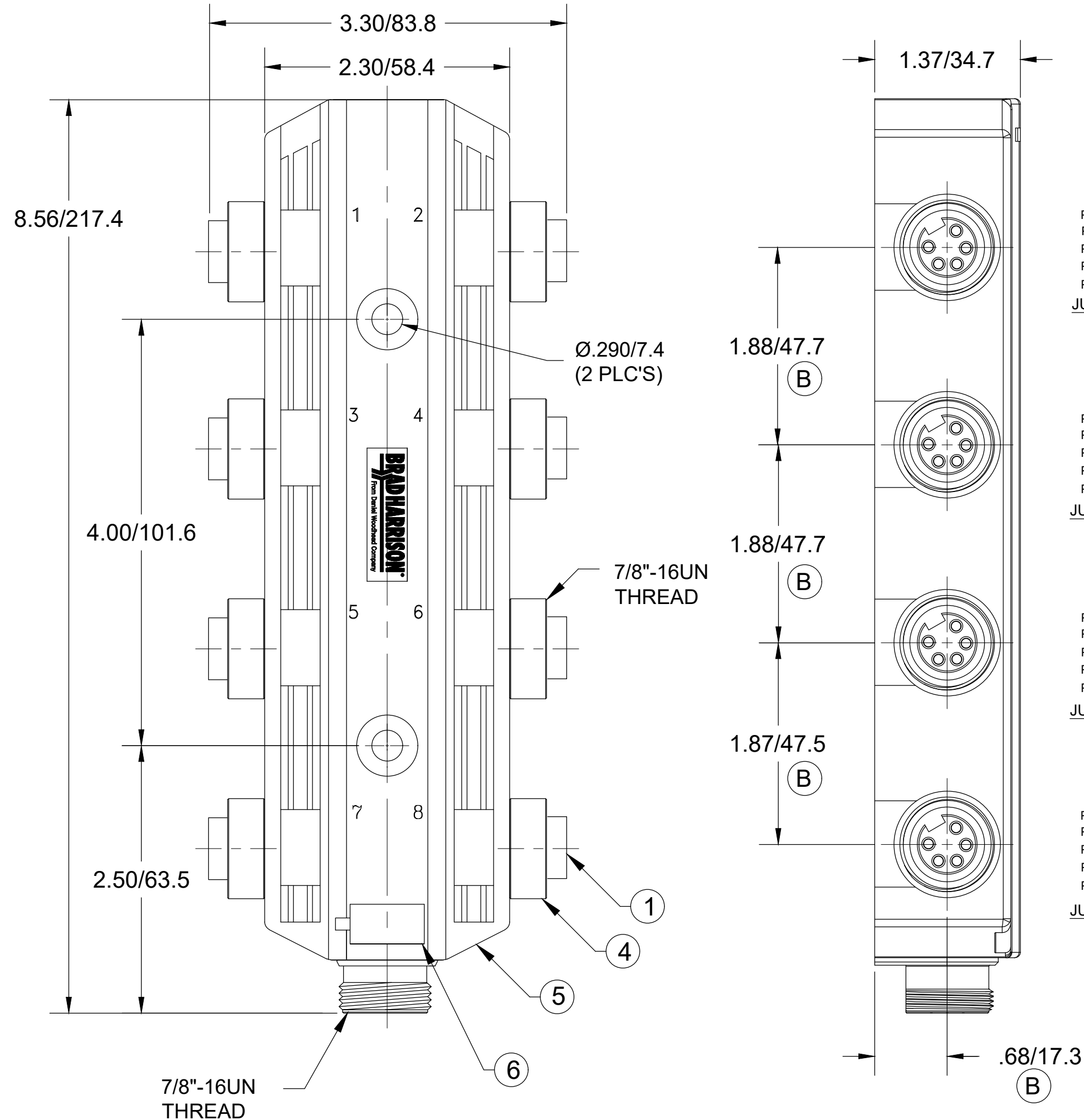


MATERIAL NUMBER	ENGINEERING NUMBER
1300360010	DN8000



- NOTES:**
- MATERIAL: AS NOTED
 - FINISH: AS NOTED
 - ELECTRICAL:
VOLTAGE RATING: 120 VAC/VDC
CURRENT: 7A
 - TEMP RATING: 0° TO +60°C
 - PROTECTION: IP67 (WHEN MATED)
 - COUPLING THREAD- AS NOTED
 - UL LISTED FILE: E152210 (B)
CSA CERTIFIED FILE: LR6837
 - ALL DIMENSIONS ARE FOR REFERENCE UNLESS TOLERANCED OR NOTED OTHERWISE

ITEM	COMPONENT	MATERIAL	FINISH
1	INSERT	TPE	GRAY (B)
2	CONTACT SOCKET	COPPER ALLOY	GOLD OVER NICKEL
3	CONTACT PIN	COPPER ALLOY	GOLD OVER NICKEL
4	RECEPTACLE SHELL	ZINC DIE CAST	BLACK E-COATED
5	HOUSING	PBT	BLACK
6	LABEL	ABS	WHITE
	POTTING MATERIAL	EPOXY	BLACK

THIS DRAWING CONTAINS INFORMATION THAT IS PROPRIETARY TO MOLEX ELECTRONIC TECHNOLOGIES, LLC AND SHOULD NOT BE USED WITHOUT WRITTEN PERMISSION

FUNCTIONAL SYMBOLS	DIMENSION UNITS	SCALE	CURRENT REV DESC: ITEM#1 WAS PVC. ADDED UL & CSA. ADDED DIMS.
$F_A=0$	INCH/MM	NTS	
$F_C=0$	GENERAL TOLERANCES (UNLESS SPECIFIED)		
$F_P=0$	mm	INCH	
DIVISIONAL SYMBOLS	4 PLACES	±----	EC NO: 645633
	3 PLACES	±----	DRWN: ABENJAMINLW 2020/09/08
	2 PLACES	±----	CHK'D: RSTONE 2020/09/29
	1 PLACE	±----	APPR: BWOODMAN 2020/10/23
	0 PLACES	±----	INITIAL REVISION:
	ANGULAR TOL ± ---- °		DRWN: BWOODMAN 2009/07/07
	DRAFT WHERE APPLICABLE MUST REMAIN WITHIN DIMENSIONS	THIRD ANGLE PROJECTION	APPR: JFMURPHY 2009/07/20

molex	
MINI-CHANGE MPIS, A SIZE, 5 POLE, FEMALE-MALE, 8 PORT DROP, SINGLE KEY, 18 AWG, DEVICENET	
PRODUCT CUSTOMER DRAWING	
DOCUMENT NUMBER	DOC TYPE/DOC PART/REVISION
SD-130036-003	PSD 001 B
MATERIAL NUMBER	CUSTOMER
SEE CHART	GENERAL MARKET
SHEET NUMBER	1 OF 1