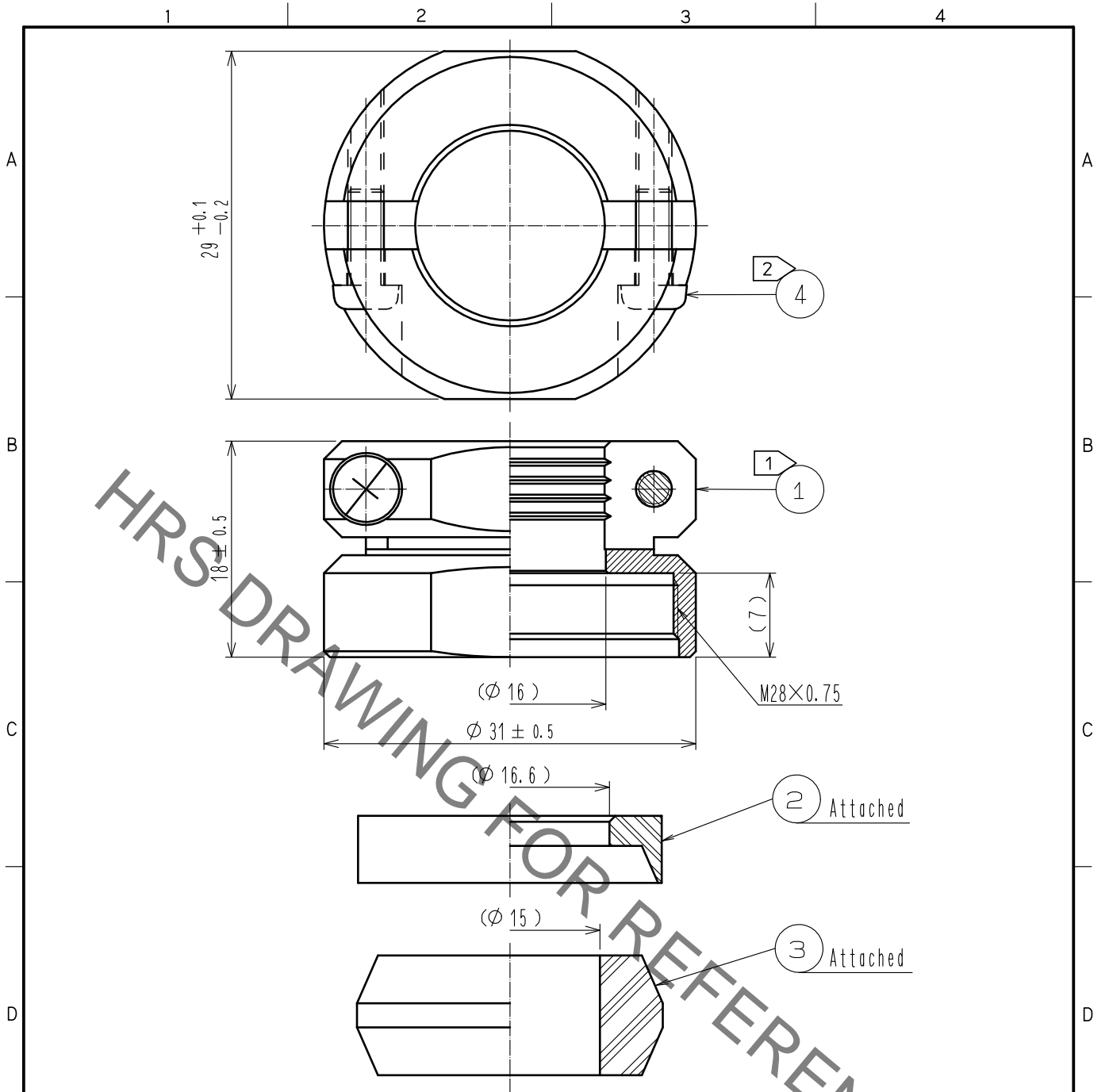


May.1.2023 Copyright 2023 HIROSE ELECTRIC CO., LTD. All Rights Reserved.
 In case of consideration for using Automotive equipment / device which demand high reliability, kindly contact our sales window correspondents.



- Notes
- ① The recommended clamp torque of ref. No. ① : 5 to 5.5 N · m .
 LOCTITE 263, HENKEL JAPAN or equevalent is recommended to prevent ref. No. ① from loosening.
 - ② The recommended clamp torque of ref. No. ④ to be 0.65 to 0.7 N · m .
 3. The cable pull and twisting strength, waterproof tightness and other characteristics may differ, depending on the cable structure. Please confirm before the use.

| 2 | PPS | (Black) UL94V-0 | 4 | Stainless steel | M3×0.5×8 | | |
|---------------------------------|----------|----------------------|-----------|--------------------------|------------------|---------|------|
| 1 | Brass | Black chrome plating | 3 | Chloroprene rubber | (Black) | | |
| NO. | MATERIAL | FINISH . REMARKS | NO. | MATERIAL | FINISH . REMARKS | | |
| UNITS mm | | SCALE 2 : 1 | COUNT | DESCRIPTION OF REVISIONS | DESIGNED | CHECKED | DATE |
| HIROSE ELECTRIC CO., LTD. | APPROVED | ·HY. KOBAYASHI | 18.02.26 | DRAWING NO. | EDC-112111-31-00 | | |
| | CHECKED | ·HY. KOBAYASHI | 18.02.26 | PART NO. | JR25WCC-15(31) | | |
| | DESIGNED | ·TH. KAMEYA | 18.02.24 | CODE NO. | CL114-2157-4-31 | | |
| | DRAWN | ·MK. INOUE | 18.02.14 | | 1/1 | | |