

<b>GlobTek, Inc.</b> <b>www.globtek.com</b> <b>186 Veterans Drive,</b> <b>Northvale, NJ 07647</b> <b>Tel. (201) 784-1000</b> <b>Fax (201) 784-0111</b>	Drawing Title: GT-46400-4019-1.0-T2, ICT/ITE Power Supply, Efficiency Level: USA DOE Level VI / Eco-design Directive 2009/125/EC, (EU) 2019/1782, Case Color/Style: GlobTek Black, Desktop/External, Regulated Switchmode AC-DC Power Supply AC Adaptor, Input Rating: 100-240V~, 50-60 Hz, IEC 60320/C8 , Output Rating: 40W, 18.0V@2.22A, Output Configuration: 1230 mm, 18/2 Cond, UL 2468, Split 30±5 mm, Stripped and Tinned 4±1 mm, Ferrite: Core Size: 14.2*28.5*8.2, GlobTek Black, GT Cord # C35332, Pin Out: White Stripe Wire (+V), Lettering Wire (-V), Blades/Input Cord: Not Applicable, Approvals: 230V CoC Tier 2; FCC; UKCA; cULus; Conforms to 62368-1; Morocco; SIQ; NOM (12V only); CAN ICES-3; CE; China RoHS; Double Insulation; IP40; Level VI; LPS 60950; PSE; RoHS; Ukraine; VCCI; WEEE; cULus; CB 62368; CB 60950; PSE; EAC;	
	Model No. GT-46400-4019-1.0-T2	
	Part No./Ordering No. TR9KH2220A00-N(R6B)	Rev A

In Addition to GlobTek Inc.'s renewed ISO9001:2015 - Quality Management System Certification, GlobTek Inc. is now certified to:

ISO13485:2016 - Medical Devices Quality Management System Certification  
 ISO14001:2015 - Environmental Management System Certification

ISO Certificates are available online at <https://www.globtek.com/iso-certificates/>

The acceptance of this specification and use of the product described in this document indicates the acceptance and binding of the customer to Globtek TERMS AND CONDITIONS (attached to the end of this document), which supersede all other agreements, terms, and conditions (<https://en.globtek.com/terms-and-conditions/>).

The purchaser of this product (Customer) agrees that it is their sole responsibility to determine suitability/fitness of the product described in this specification for their application and to take precautions for protection against any hazards attendant to the handling and use of the product.

Footnote:

GlobTek Inc. will not be liable for the safety and performance of these power supplies/battery packs if unauthorized access and repair occurs. End user should consult applicable UL, CSA or EN standards for proper installation instruction.

Limitation of Use:

GlobTek products are intended for use with commercial, medical, and/or industrial equipment only. GlobTek product are not authorized for use as mission critical components in life support hazardous environment, nuclear or aircraft applications without prior written approval from the CEO of GlobTek Inc.

Contents of this document are subject to change without prior notice.

### Customer Approval of Specification:

Please approve, sign and send back to GlobTek so we can complete order processing.  
 A delay in receipt of this form will delay delivery schedule.

Company Name: _____	Customer P/N: _____
Quote Number: _____	Date: _____
Authorized Representative Name: _____	Authorized Representative Signature: _____

GlobTek, Inc. www.globtek.com 186 Veterans Drive, Northvale, NJ 07647 Tel. (201) 784-1000 Fax (201) 784-0111	Drawing Title: GT-46400-4019-1.0-T2, ICT/ITE Power Supply, Efficiency Level: USA DOE Level VI / Eco-design Directive 2009/125/EC, (EU) 2019/1782, Case Color/Style: GlobTek Black, Desktop/External, Regulated Switchmode AC-DC Power Supply AC Adaptor, Input Rating: 100-240V~, 50-60 Hz, IEC 60320/C8 , Output Rating: 40W, 18.0V@2.22A, Output Configuration: 1230 mm, 18/2 Cond, UL 2468, Split 30±5 mm, Stripped and Tinned 4±1 mm, Ferrite: Core Size: 14.2*28.5*8.2, GlobTek Black, GT Cord # C35332, Pin Out: White Stripe Wire (+V), Lettering Wire (-V), Blades/Input Cord: Not Applicable, Approvals: 230V CoC Tier 2; FCC; UKCA; cULus; Conforms to 62368-1; Morocco; SIQ; NOM (12V only); CAN ICES-3; CE; China RoHS; Double Insulation; IP40; Level VI; LPS 60950; PSE; RoHS; Ukraine; VCCI; WEEE; cULus; CB 62368; CB 60950; PSE; EAC;	
	Model No. GT-46400-4019-1.0-T2	
	Part No./Ordering No. TR9KH2220A00-N(R6B)	Rev A

## REVISION HISTORY

REV	DESCRIPTION	SUB	DATE	APPROVED
A	Initial Release	dhock	02/20/2019	QA

### POWER SUPPLY INFORMATION

TYPE	Desktop/External
TECHNOLOGY	Regulated Switchmode AC-DC Power Supply AC Adaptor
CASE COLOR	GlobTek Black
NAMEPLATE RATED INPUT	100-240V~, 50-60 Hz, 1.0A
INPUT CONFIG	IEC 60320/C8
WATTS	40.00
VOLTS OUT	18.0
CURRENT OUT (Amps)	2.22
BLADE/CORD INCLUDED	N/A Not Applicable
BLADE/CORD INSTALLED	N/A :Not Applicable
INGRESS PROTECTION	Indoor Use
GROUNDING CONFIGURATION	(F1) Class II / Double Insulated
EFFICIENCY LEVEL	<a href="#">USA DOE Level VI</a> / <a href="#">Eco-design Directive 2009/125/EC, (EU) 2019/1782 - Europe Code of Conduct on Energy Efficiency of External Power Supplies - Version 5</a>
OUTPUT CONFIGURATION	1230 mm, 18/2 Cond, UL 2468, Split 30±5 mm, Stripped and Tinned 4±1 mm, Ferrite: Core Size: 14.2*28.5*8.2, GlobTek Black, GT Cord # C35332
OVERMOLDED	No
OUTPUT CONNECTOR GENDER	not applicable
CONNECTOR PIN OUT	White Stripe Wire (+V), Lettering Wire (-V)
LABEL SPECS	Standard GT,L-1186
SPECIAL BARCODE LABEL MATERIAL	No
PACK SPEC	Standard DT, Individually Box, GT User Manual
USER MANUAL	809-DESKTOPUSERMANUAL on A4 paper

#### PROPRIETARY INFORMATION

PROPRIETARY OF GLOBTEK, INC. ANY REPRODUCTION, DISCLOSURE OR USE OF THIS DRAWING, IN WHOLE OR IN PART, IS HEREBY PROHIBITED EXCEPT AS SPECIFIED IN

WRITING BY GLOBTEK, INC. © GlobTek, Inc. 2019 - 2023

quest / 05/15/2023 4:37:13 PM GMT CLONED FROM TR9KH2222LCP-N(R6B)

<p>GlobTek, Inc. www.globtek.com 186 Veterans Drive, Northvale, NJ 07647 Tel. (201) 784-1000 Fax (201) 784-0111</p>	<p>Drawing Title: GT-46400-4019-1.0-T2, ICT/ITE Power Supply, Efficiency Level: USA DOE Level VI / Eco-design Directive 2009/125/EC, (EU) 2019/1782, Case Color/Style: GlobTek Black, Desktop/External, Regulated Switchmode AC-DC Power Supply AC Adaptor, Input Rating: 100-240V~, 50-60 Hz, IEC 60320/C8 , Output Rating: 40W, 18.0V@2.22A, Output Configuration: 1230 mm, 18/2 Cond, UL 2468, Split 30±5 mm, Stripped and Tinned 4±1 mm, Ferrite: Core Size: 14.2*28.5*8.2, GlobTek Black, GT Cord # C35332, Pin Out: White Stripe Wire (+V), Lettering Wire (-V), Blades/Input Cord: Not Applicable, Approvals: 230V CoC Tier 2; FCC; UKCA; cULus; Conforms to 62368-1; Morocco; SIQ; NOM (12V only); CAN ICES-3; CE; China RoHS; Double Insulation; IP40; Level VI; LPS 60950; PSE; RoHS; Ukraine; VCCI; WEEE; cULus; CB 62368; CB 60950; PSE; EAC;</p>
	<p>Model No. GT-46400-4019-1.0-T2</p>
	<p>Part No./Ordering No. TR9KH2220A00-N(R6B) <span style="float: right;">Rev A</span></p>

Notes/Modifications/Customizations (notes in this section supersede the values shown in the standard spec)  
 DIMENSIONS ARE IN MM UNLESS SPECIFIED OTHERWISE

GlobTek, Inc. www.globtek.com 186 Veterans Drive, Northvale, NJ 07647 Tel. (201) 784-1000 Fax (201) 784-0111	Drawing Title: GT-46400-4019-1.0-T2, ICT/ITE Power Supply, Efficiency Level: USA DOE Level VI / Eco-design Directive 2009/125/EC, (EU) 2019/1782, Case Color/Style: GlobTek Black, Desktop/External, Regulated Switchmode AC-DC Power Supply AC Adaptor, Input Rating: 100-240V~, 50-60 Hz, IEC 60320/C8 , Output Rating: 40W, 18.0V@2.22A, Output Configuration: 1230 mm, 18/2 Cond, UL 2468, Split 30±5 mm, Stripped and Tinned 4±1 mm, Ferrite: Core Size: 14.2*28.5*8.2, GlobTek Black, GT Cord # C35332, Pin Out: White Stripe Wire (+V), Lettering Wire (-V), Blades/Input Cord: Not Applicable, Approvals: 230V CoC Tier 2; FCC; UKCA; cULus; Conforms to 62368-1; Morocco; SIQ; NOM (12V only); CAN ICES-3; CE; China RoHS; Double Insulation; IP40; Level VI; LPS 60950; PSE; RoHS; Ukraine; VCCI; WEEE; cULus; CB 62368; CB 60950; PSE; EAC;	
	Model No. GT-46400-4019-1.0-T2	
	Part No./Ordering No. TR9KH2220A00-N(R6B)	Rev A

## ELECTRICAL SPECIFICATIONS

### A) ELECTRICAL SPECIFICATIONS:

01. Input Voltage: Specified 90-264 Vac, Nameplate rated: 100-240Vac
  02. Input Frequency: Specified 47-63 Hz, Nameplate rated 50-60Hz
  03. Inrush Current: NO Damage
  04. Efficiency: Compliant with Efficiency Level VI and CoC Tier 2 standards
  05. No Load Standby Power: <0.075W @ 230Vac
  06. Load regulation: ±5%
  07. Output Voltage: Tolerance ± 5%
  08. Ripple Voltage: 120mV (p-p): Input :(100V-240VAC ), Output:full load
- Ripple&Noise test: Use 20MHz band width frequency oscilloscope.Add 0.1uF/47uF Capacitor output connector terminal

### B) PROTECTION

01. Over voltage protection: ≤16V
02. Short circuit protection: Output shut down and auto- recover
03. Over Load Protection: ≤ 5A output load

### C) SAFETY

01. HI-POT : Input to output : 3000VAC 10mA 1 minute (for Class II), 1500VAC 10mA 1 minute(for Class I)
02. Insulation resistance: Input to output: 500vdc to test the input to output resistance not be less 100M ohm
03. Touch Current: <0.25mA @ 240Vac input voltage

### D) OTHER:

01. MTBF: 200,000 Hours @ 25°C ambient temperature
  02. Operating Temperature: 0°C to 40°C ambient temperature
  03. Humidity Operating : 20% to 80%. 0% to 90% relative humidity
  04. Storage Temperature: -10°C to 70°C
- Humidity Storage: 10% to 90%
05. RoHS 2: Complies with EU 2011/65/EU andChina SJ/T 11364-2014

### E) ENCLOSURE

01. Housing: High impact plastic, 94V0 polycarbonate, non-vented
02. Size: 111.0 x 52.0 x 32.3 +/-1.0 mm
03. Markings: Label and/or Pad Printed and/or Molded in the case

TO ADDRESS SYSTEM-LEVEL EMI CONCERNS, FERRITE CHOKES/BEADS MAY BE ADDED/REVISED UPON REQUEST. A SAMPLE KIT OF GLOBTEK'S STANDARD FERRITES IS AVAILABLE UNDER GLOBTEK P/N: EMI-MITIGATION-KIT1

FOR ADDITIONAL INFORMATION, PLEASE READ OUR WHITE PAPER AT:

<https://en.globtek.com/technical-articles/ferrite-kit-radiated-emi-suppression-kit-for-globtek-power-supplies-cable-assemblies>

INGRESS PROTECTION: Indoor Use

#### PROPRIETARY INFORMATION

PROPRIETARY OF GLOBTEK, INC. ANY REPRODUCTION, DISCLOSURE OR USE OF THIS DRAWING, IN WHOLE OR IN PART, IS HEREBY PROHIBITED EXCEPT AS SPECIFIED IN

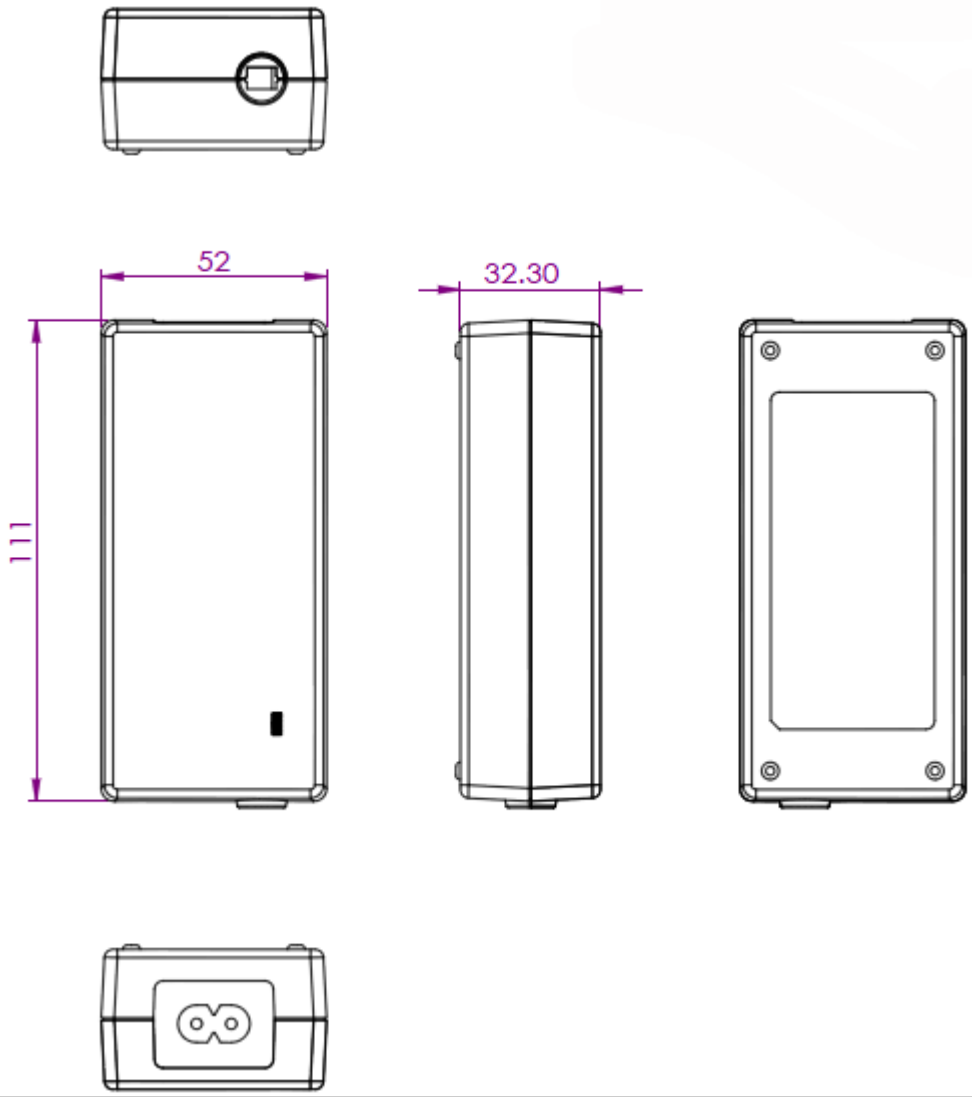
WRITING BY GLOBTEK, INC. © GlobTek, Inc. 2019 - 2023

quest / 05/15/2023 4:37:13 PM GMT CLONED FROM TR9KH2222LCP-N(R6B)

<p>GlobTek, Inc.  www.globtek.com  186 Veterans Drive,  Northvale, NJ 07647  Tel. (201) 784-1000  Fax (201) 784-0111</p>	<p>Drawing Title: GT-46400-4019-1.0-T2, ICT/ITE Power Supply, Efficiency Level: USA DOE Level VI / Eco-design Directive 2009/125/EC, (EU) 2019/1782, Case Color/Style: GlobTek Black, Desktop/External, Regulated Switchmode AC-DC Power Supply AC Adaptor, Input Rating: 100-240V~, 50-60 Hz, IEC 60320/C8 , Output Rating: 40W, 18.0V@2.22A, Output Configuration: 1230 mm, 18/2 Cond, UL 2468, Split 30±5 mm, Stripped and Tinned 4±1 mm, Ferrite: Core Size: 14.2*28.5*8.2, GlobTek Black, GT Cord # C35332, Pin Out: White Stripe Wire (+V), Lettering Wire (-V), Blades/Input Cord: Not Applicable, Approvals: 230V CoC Tier 2; FCC; UKCA; cULus; Conforms to 62368-1; Morocco; SIQ; NOM (12V only); CAN ICES-3; CE; China RoHS; Double Insulation; IP40; Level VI; LPS 60950; PSE; RoHS; Ukraine; VCCI; WEEE; cULus; CB 62368; CB 60950; PSE; EAC;</p>	
<p>Model No. GT-46400-4019-1.0-T2</p>		
<p>Part No./Ordering No. TR9KH2220A00-N(R6B)</p>		<p>Rev A</p>

3D File Download [https://www.globtek.com/file/dl/gt-46400-40vv-x\\_x-t2\\_asm.stp](https://www.globtek.com/file/dl/gt-46400-40vv-x_x-t2_asm.stp)

Mechanical drawing



GlobTek, Inc.  
 www.globtek.com  
 186 Veterans Drive,  
 Northvale, NJ 07647  
 Tel. (201) 784-1000  
 Fax (201) 784-0111

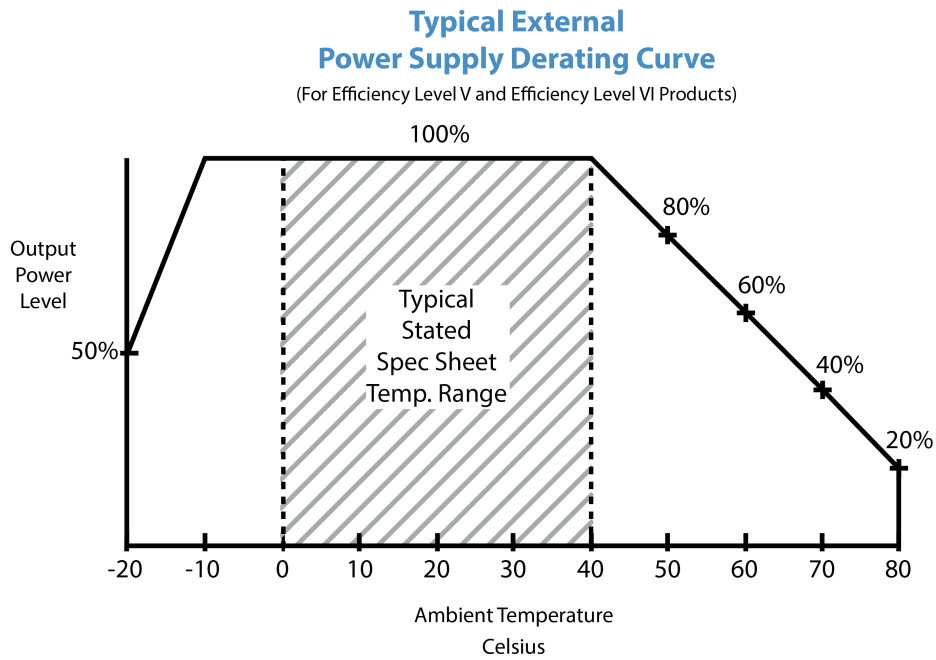
Drawing Title: GT-46400-4019-1.0-T2, ICT/ITE Power Supply, Efficiency Level: USA DOE Level VI / Eco-design Directive 2009/125/EC, (EU) 2019/1782, Case Color/Style: GlobTek Black, Desktop/External, Regulated Switchmode AC-DC Power Supply AC Adaptor, Input Rating: 100-240V~, 50-60 Hz, IEC 60320/C8 , Output Rating: 40W, 18.0V@2.22A, Output Configuration: 1230 mm, 18/2 Cond, UL 2468, Split 30±5 mm, Stripped and Tinned 4±1 mm, Ferrite: Core Size: 14.2\*28.5\*8.2, GlobTek Black, GT Cord # C35332, Pin Out: White Stripe Wire (+V), Lettering Wire (-V), Blades/Input Cord: Not Applicable, Approvals: 230V CoC Tier 2; FCC; UKCA; cULus; Conforms to 62368-1; Morocco; SIQ; NOM (12V only); CAN ICES-3; CE; China RoHS; Double Insulation; IP40; Level VI; LPS 60950; PSE; RoHS; Ukraine; VCCI; WEEE; cULus; CB 62368; CB 60950; PSE; EAC;

Model No. GT-46400-4019-1.0-T2

Part No./Ordering No. TR9KH2220A00-N(R6B)

Rev A

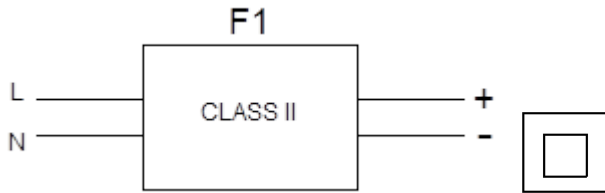
DERATING CURVE



GlobTek, Inc. www.globtek.com 186 Veterans Drive, Northvale, NJ 07647 Tel. (201) 784-1000 Fax (201) 784-0111	Drawing Title: GT-46400-4019-1.0-T2, ICT/ITE Power Supply, Efficiency Level: USA DOE Level VI / Eco-design Directive 2009/125/EC, (EU) 2019/1782, Case Color/Style: GlobTek Black, Desktop/External, Regulated Switchmode AC-DC Power Supply AC Adaptor, Input Rating: 100-240V~, 50-60 Hz, IEC 60320/C8 , Output Rating: 40W, 18.0V@2.22A, Output Configuration: 1230 mm, 18/2 Cond, UL 2468, Split 30±5 mm, Stripped and Tinned 4±1 mm, Ferrite: Core Size: 14.2*28.5*8.2, GlobTek Black, GT Cord # C35332, Pin Out: White Stripe Wire (+V), Lettering Wire (-V), Blades/Input Cord: Not Applicable, Approvals: 230V CoC Tier 2; FCC; UKCA; cULus; Conforms to 62368-1; Morocco; SIQ; NOM (12V only); CAN ICES-3; CE; China RoHS; Double Insulation; IP40; Level VI; LPS 60950; PSE; RoHS; Ukraine; VCCI; WEEE; cULus; CB 62368; CB 60950; PSE; EAC;	
	Model No. GT-46400-4019-1.0-T2	
	Part No./Ordering No. TR9KH2220A00-N(R6B)	Rev A

**INPUT CONFIGURATION**

(F1) Class II / Double Insulated

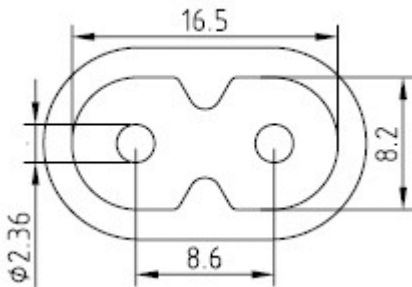


[Alternate grounding configurations](#) available upon request.

Blades/Cord Included:N/A:Not Applicable

Blades/Cord Installed:N/A:Not Applicable

IEC 60320/C8 AC Inlet connector, Class II, Non-Earth Ground (aka "Figure-8")



Mates with IEC 60320/C7 Plug

Below are standard cordsets which are "not included" (unless stated above); these may be purchased separately or packaged with the power supply. Please contact your Sales Engineer if the style required is not shown below. Many more available in different lengths, colors or cable material.

[Standard International IEC 320/C7 Cordsets](#)

Part Number	Type	Standard	Connector	Length (mm)	Length (feet)
<a href="#">2094112M703(R)</a>	Argentina (Type I)	IRAM 2063	IEC 320/C7	2000	7
<a href="#">5014112M703A(R)</a>	Australian (Type I)	AS 3112	IEC 320/C7	2000	7
<a href="#">207B4111M8703(R)</a>	Brazil (Type N)	NBR14136	IEC 320/C7	1800	6
			IEC		

**PROPRIETARY INFORMATION**

PROPRIETARY OF GLOBTEK, INC. ANY REPRODUCTION, DISCLOSURE OR USE OF THIS DRAWING, IN WHOLE OR IN PART, IS HEREBY PROHIBITED EXCEPT AS SPECIFIED IN

WRITING BY GLOBTEK, INC. © GlobTek, Inc. 2019 - 2023

quest / 05/15/2023 4:37:13 PM GMT CLONED FROM TR9KH2222LCP-N(R6B)

<b>GlobTek, Inc.</b> www.globtek.com 186 Veterans Drive, Northvale, NJ 07647 Tel. (201) 784-1000 Fax (201) 784-0111	Drawing Title: GT-46400-4019-1.0-T2, ICT/ITE Power Supply, Efficiency Level: USA DOE Level VI / Eco-design Directive 2009/125/EC, (EU) 2019/1782, Case Color/Style: GlobTek Black, Desktop/External, Regulated Switchmode AC-DC Power Supply AC Adaptor, Input Rating: 100-240V~, 50-60 Hz, IEC 60320/C8 , Output Rating: 40W, 18.0V@2.22A, Output Configuration: 1230 mm, 18/2 Cond, UL 2468, Split 30±5 mm, Stripped and Tinned 4±1 mm, Ferrite: Core Size: 14.2*28.5*8.2, GlobTek Black, GT Cord # C35332, Pin Out: White Stripe Wire (+V), Lettering Wire (-V), Blades/Input Cord: Not Applicable, Approvals: 230V CoC Tier 2; FCC; UKCA; cULus; Conforms to 62368-1; Morocco; SIQ; NOM (12V only); CAN ICES-3; CE; China RoHS; Double Insulation; IP40; Level VI; LPS 60950; PSE; RoHS; Ukraine; VCCI; WEEE; cULus; CB 62368; CB 60950; PSE; EAC;		
	Model No. GT-46400-4019-1.0-T2		
	Part No./Ordering No. TR9KH2220A00-N(R6B)	Rev A	

<a href="#">4533501M8703(R)</a>	China (Type A)	GB 2099.1	320/C7	1830	6
<a href="#">2074112M703A(R)</a>	European (Type C)	CEE 7/16	IEC 320/C7	2000	7
<a href="#">2074112M703AEUSA(R)</a>	European/South Africa Combo(Type C)	CEE 7/16	IEC 320/C7	2000	7
<a href="#">2084111M8703B(R)</a>	India (Type D)	IS 1293	IEC 320/C7	1800	6
<a href="#">451J3401M8703(R)</a>	Japan (Type A)	JIS 8303	IEC 320/C7	1830	6
<a href="#">2044112M703A(R)</a>	Korea (Type C)	KS C8305	IEC 320/C7	2000	7
<a href="#">4511116F703A(R)</a>	North America (Type A)	NEMA 1-15P	IEC 320/C7	1830	6
<a href="#">2084111M8703(R)</a>	South Africa (Type M)	BS 546	IEC320/C7	1830	6
<a href="#">4033401M8703A(R)</a>	Taiwan (Type A)	CNS690	IEC 320/C7	1830	6
<a href="#">6104112M703A(R)</a>	UK, Hong Kong, Singapore, Gulf States (Type G)	BS1363	IEC 320/C7	2000	7
<a href="#">451G1116F703A(R)</a>	Gulf States (Kuwait, Bahrain, Oman, Qatar, Saudi Arabia, Yemen and the United Arab Emirates (UAE)(Type A)	Nema 1-15P	IEC320/C7	1830	6
<a href="#">6303742M5703(R)</a>	Thailand (Type C)	TIS 166-2549	IEC320/C7	2500	8





<p>GlobTek, Inc.  www.globtek.com  186 Veterans Drive,  Northvale, NJ 07647  Tel. (201) 784-1000  Fax (201) 784-0111</p>	<p>Drawing Title: GT-46400-4019-1.0-T2, ICT/ITE Power Supply, Efficiency Level: USA DOE Level VI / Eco-design Directive 2009/125/EC, (EU) 2019/1782, Case Color/Style: GlobTek Black, Desktop/External, Regulated Switchmode AC-DC Power Supply AC Adaptor, Input Rating: 100-240V~, 50-60 Hz, IEC 60320/C8 , Output Rating: 40W, 18.0V@2.22A, Output Configuration: 1230 mm, 18/2 Cond, UL 2468, Split 30±5 mm, Stripped and Tinned 4±1 mm, Ferrite: Core Size: 14.2*28.5*8.2, GlobTek Black, GT Cord # C35332, Pin Out: White Stripe Wire (+V), Lettering Wire (-V), Blades/Input Cord: Not Applicable, Approvals: 230V CoC Tier 2; FCC; UKCA; cULus; Conforms to 62368-1; Morocco; SIQ; NOM (12V only); CAN ICES-3; CE; China RoHS; Double Insulation; IP40; Level VI; LPS 60950; PSE; RoHS; Ukraine; VCCI; WEEE; cULus; CB 62368; CB 60950; PSE; EAC;</p>
	<p>Model No. GT-46400-4019-1.0-T2</p>
	<p>Part No./Ordering No. TR9KH2220A00-N(R6B) <span style="float: right;">Rev A</span></p>

**OUTPUT CONNECTOR HOOK UP**

TO ADDRESS SYSTEM-LEVEL EMI CONCERNS, FERRITE CHOKES/BEADS MAY BE ADDED/REVISED UPON REQUEST. A SAMPLE KIT OF GLOBTEK'S STANDARD FERRITES IS AVAILABLE UNDER GLOBTEK P/N: EMI-MITIGATION-KIT1

FOR ADDITIONAL INFORMATION, PLEASE READ OUR WHITE PAPER AT:

<https://en.globtek.com/technical-articles/ferrite-kit-radiated-emi-suppression-kit-for-globtek-power-supplies-cable-assemblies>

GloTek, Inc. www.globtek.com 186 Veterans Drive, Northvale, NJ 07647 Tel. (201) 784-1000 Fax (201) 784-0111	Drawing Title: GT-46400-4019-1.0-T2, ICT/ITE Power Supply, Efficiency Level: USA DOE Level VI / Eco-design Directive 2009/125/EC, (EU) 2019/1782, Case Color/Style: GlobTek Black, Desktop/External, Regulated Switchmode AC-DC Power Supply AC Adaptor, Input Rating: 100-240V~, 50-60 Hz, IEC 60320/C8 , Output Rating: 40W, 18.0V@2.22A, Output Configuration: 1230 mm, 18/2 Cond, UL 2468, Split 30±5 mm, Stripped and Tinned 4±1 mm, Ferrite: Core Size: 14.2*28.5*8.2, GlobTek Black, GT Cord # C35332, Pin Out: White Stripe Wire (+V), Lettering Wire (-V), Blades/Input Cord: Not Applicable, Approvals: 230V CoC Tier 2; FCC; UKCA; cULus; Conforms to 62368-1; Morocco; SIQ; NOM (12V only); CAN ICES-3; CE; China RoHS; Double Insulation; IP40; Level VI; LPS 60950; PSE; RoHS; Ukraine; VCCI; WEEE; cULus; CB 62368; CB 60950; PSE; EAC;	
	Model No. GT-46400-4019-1.0-T2	
	Part No./Ordering No. TR9KH2220A00-N(R6B)	Rev A

**LABEL:L-1186**

LABEL P/N	Standard GT
MATERIAL	Flat Thermal Transfer, Imprintable, Polyester Label and/or Pad Printed and/or Molded, and/or Laser Engraved in the case
BACKGROUND COLOR	Black if housing is Black, White or Silver if housing is White or Gray.
TEXT COLOR	White or Silver if label is Black Background for Black housing. Black if label is White or Silver background and Housing is White or Gray.
LABEL WIDTH (mm)	37.5
LABEL HEIGHT (mm)	77.5
SPECIAL BARCODE LABEL MATERIAL	No

Below is the minimum information which will appear on the label. NOTE: in the logo area additional/actual positioning of symbols and text is subjected to change as per agency updates/requirements or additional model approvals become available.  
Regulatory certifications/label markings may be in logo area on the label or molded into the case housing outside the label area.  
Information will be shown via label and/or pad printed and/or molded and/or laser engraved in the case. \* Date code markings at GlobTek option



or  
**DATE CODE B \*:**  
WWYY  
WW = WEEK  
YY = YEAR

- A=ICT/ITE Power Supply
- B=P/N: (料号) TR9KH2220A00-N(R6B)
- C=Model (型号) GT-46400-4019-1.0-T2
- D=Input (输入)100-240V~, 50-60 Hz, 1.0A
- E=Output (输出)18.0 V 2.22 A, 40.00W

GloTek, Inc. www.globtek.com 186 Veterans Drive, Northvale, NJ 07647 Tel. (201) 784-1000 Fax (201) 784-0111	Drawing Title: GT-46400-4019-1.0-T2, ICT/ITE Power Supply, Efficiency Level: USA DOE Level VI / Eco-design Directive 2009/125/EC, (EU) 2019/1782, Case Color/Style: GlobTek Black, Desktop/External, Regulated Switchmode AC-DC Power Supply AC Adaptor, Input Rating: 100-240V~, 50-60 Hz, IEC 60320/C8 , Output Rating: 40W, 18.0V@2.22A, Output Configuration: 1230 mm, 18/2 Cond, UL 2468, Split 30±5 mm, Stripped and Tinned 4±1 mm, Ferrite: Core Size: 14.2*28.5*8.2, GlobTek Black, GT Cord # C35332, Pin Out: White Stripe Wire (+V), Lettering Wire (-V), Blades/Input Cord: Not Applicable, Approvals: 230V CoC Tier 2; FCC; UKCA; cULus; Conforms to 62368-1; Morocco; SIQ; NOM (12V only); CAN ICES-3; CE; China RoHS; Double Insulation; IP40; Level VI; LPS 60950; PSE; RoHS; Ukraine; VCCI; WEEE; cULus; CB 62368; CB 60950; PSE; EAC;	
	Model No. GT-46400-4019-1.0-T2	
	Part No./Ordering No. TR9KH2220A00-N(R6B)	Rev A

AGENCY ONLINE DOCUMENTS	<a href="http://www.globtek.info/certs/GT-46400-WVVV-X.X-TZ/">http://www.globtek.info/certs/GT-46400-WVVV-X.X-TZ/</a>
CE EC-Declaration for Medical	<a href="#">Contact GlobTek for more information</a>
CE EC-Declaration for Industrial/Commercial/ITE	<a href="http://globtek.force.com/models/ec_declaration_product?id=01t0c000008voKd&amp;i=2">http://globtek.force.com/models/ec_declaration_product?id=01t0c000008voKd&amp;i=2</a>
CE EC-Declaration for Household	<a href="#">Contact GlobTek for more information</a>
UKCA-Declaration for Medical	<a href="#">Contact GlobTek for more information</a>
UKCA-Declaration for Industrial/Commercial/ITE	<a href="http://globtek.force.com/models/ukca_declaration_product?id=01t0c000008voKd&amp;i=2">http://globtek.force.com/models/ukca_declaration_product?id=01t0c000008voKd&amp;i=2</a>
UKCA-Declaration for Household	<a href="#">Contact GlobTek for more information</a>
Morocco SDoC Declaration	<a href="https://globtek.secure.force.com/models/Morocco_SDoC_Declaration?id=a0Oa000000Mih2SEAR">https://globtek.secure.force.com/models/Morocco_SDoC_Declaration?id=a0Oa000000Mih2SEAR</a>
RoHS/RoHS3 Declaration	<a href="https://www.globtek.com/pdf/rohs_cert/01t0c000008voKdAAI">https://www.globtek.com/pdf/rohs_cert/01t0c000008voKdAAI</a>
REACH Declaration	<a href="https://www.globtek.com/pdf/iso_certificates/REACH.pdf">https://www.globtek.com/pdf/iso_certificates/REACH.pdf</a>
Conflict Minerals Declaration	<a href="https://www.globtek.com/pdf/conflict-minerals.pdf">https://www.globtek.com/pdf/conflict-minerals.pdf</a>
Prop 65 Statement	<a href="https://en.globtek.com/prop-65-statement.pdf">https://en.globtek.com/prop-65-statement.pdf</a>

IPXY rating is based on 3rd party testing and customers should check suitability and test system level IPXY rating before ordering.

## Regulatory Certifications/Label Markings

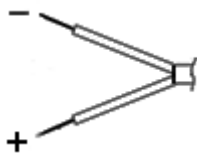
Below follows a link to the latest regulatory certifications and marks for this specific product. National standards as well as certification schemes are constantly changing and so is the set of certification marks and symbols applicable to this product. Various standards, marks and symbols, and certificates are subject to change at any time without notice.

Additional standards or unique country certifications are available upon request. Please contact Globtek to request a quotation.

LATEST PRODUCT/MODEL CERTIFICATIONS:	<a href="https://www.globtek.com/datasheet/w71055">https://www.globtek.com/datasheet/w71055</a>
AGENCY ONLINE DOCUMENTS	<a href="http://www.globtek.info/certs/GT-46400-WVVV-X.X-TZ/">http://www.globtek.info/certs/GT-46400-WVVV-X.X-TZ/</a>



(F1) Class II / Double Insulated



White Stripe Wire (+V), Lettering Wire (-V)

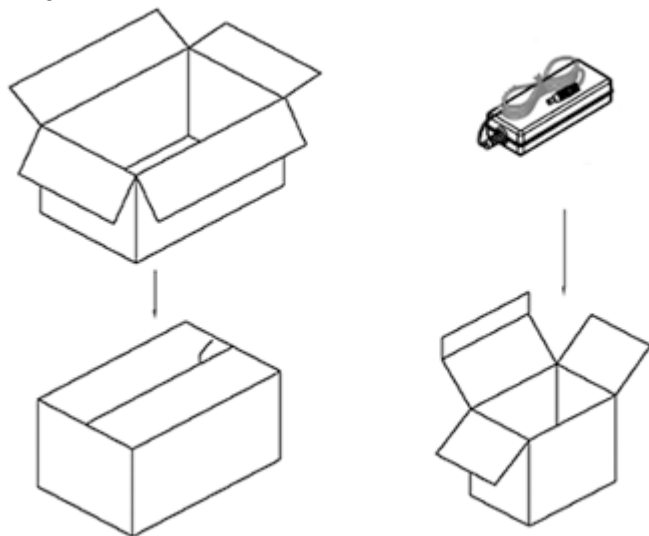
GloTek, Inc. www.globtek.com 186 Veterans Drive, Northvale, NJ 07647 Tel. (201) 784-1000 Fax (201) 784-0111	Drawing Title: GT-46400-4019-1.0-T2, ICT/ITE Power Supply, Efficiency Level: USA DOE Level VI / Eco-design Directive 2009/125/EC, (EU) 2019/1782, Case Color/Style: GlobTek Black, Desktop/External, Regulated Switchmode AC-DC Power Supply AC Adaptor, Input Rating: 100-240V~, 50-60 Hz, IEC 60320/C8 , Output Rating: 40W, 18.0V@2.22A, Output Configuration: 1230 mm, 18/2 Cond, UL 2468, Split 30±5 mm, Stripped and Tinned 4±1 mm, Ferrite: Core Size: 14.2*28.5*8.2, GlobTek Black, GT Cord # C35332, Pin Out: White Stripe Wire (+V), Lettering Wire (-V), Blades/Input Cord: Not Applicable, Approvals: 230V CoC Tier 2; FCC; UKCA; cULus; Conforms to 62368-1; Morocco; SIQ; NOM (12V only); CAN ICES-3; CE; China RoHS; Double Insulation; IP40; Level VI; LPS 60950; PSE; RoHS; Ukraine; VCCI; WEEE; cULus; CB 62368; CB 60950; PSE; EAC;	
	Model No. GT-46400-4019-1.0-T2	
	Part No./Ordering No. TR9KH2220A00-N(R6B)	Rev A

## PACKAGING

Packing Spec P/N:	Standard DT, Individually Box, GT User Manual
Box Qty	54
Gift Box Size (mm):	167*58*60
Gift Box Color:	White
Master Carton Size (mm):	520 x 370 x 205
Master Carton Cubic Volume (m³):	0.04
Master GW (Kg):	9.6 kg
BLADES INCLUDED:	N/A: Not Applicable
BLADE/CORD INSTALLED:	N/A: Not Applicable
USER MANUAL*:	809-DESKTOPUSERMANUAL on A4 paper
USER MANUAL WEB LINK:	<a href="https://en.globtek.com/pdf/809-DESKTOPUSERMANUAL.jpg">https://en.globtek.com/pdf/809-DESKTOPUSERMANUAL.jpg</a>

\* This specification sheet is considered the user manual for all applications. It is expected that the buyer of this product will use it to formulate their own user manual for their end product and a user manual specifically for the power adapter is not usually required. If a user manual is not specifically listed above then none will be provided with this unit.

If specific packaging is required, this section must specify all requirements and note "no exceptions". If this section does not specify packaging, it is subject to change without notice at GlobTek's discretion



### PROPRIETARY INFORMATION

<p>GlobTek, Inc. www.globtek.com 186 Veterans Drive, Northvale, NJ 07647 Tel. (201) 784-1000 Fax (201) 784-0111</p>	<p>Drawing Title: GT-46400-4019-1.0-T2, ICT/ITE Power Supply, Efficiency Level: USA DOE Level VI / Eco-design Directive 2009/125/EC, (EU) 2019/1782, Case Color/Style: GlobTek Black, Desktop/External, Regulated Switchmode AC-DC Power Supply AC Adaptor, Input Rating: 100-240V~, 50-60 Hz, IEC 60320/C8 , Output Rating: 40W, 18.0V@2.22A, Output Configuration: 1230 mm, 18/2 Cond, UL 2468, Split 30±5 mm, Stripped and Tinned 4±1 mm, Ferrite: Core Size: 14.2*28.5*8.2, GlobTek Black, GT Cord # C35332, Pin Out: White Stripe Wire (+V), Lettering Wire (-V), Blades/Input Cord: Not Applicable, Approvals: 230V CoC Tier 2; FCC; UKCA; cULus; Conforms to 62368-1; Morocco; SIQ; NOM (12V only); CAN ICES-3; CE; China RoHS; Double Insulation; IP40; Level VI; LPS 60950; PSE; RoHS; Ukraine; VCCI; WEEE; cULus; CB 62368; CB 60950; PSE; EAC;</p>
	<p>Model No. GT-46400-4019-1.0-T2</p>
	<p>Part No./Ordering No. TR9KH2220A00-N(R6B)</p>
	<p>Rev A</p>

## INSTRUCTIONS TO THE OEM SYSTEMS ENGINEER

It is the responsibility of the OEM systems engineer to provide the end system user instructions and warnings for the use of this product in the end system.

If an input cord is required for this product, AC Mains voltage should be provided to the power supply by a power supply cord approved to the national standards of the country in which it will be used.

This product is not designed to be repaired. No serviceable parts inside. A blown internal fuse is an indication of catastrophic failure of circuit component(s). If a Failure Analysis is required for a failed power supply/battery charger, please return the damaged unit to GlobTek for an accurate determination of the root cause of the failure.

EMC Compliance of the complete OEM product, including the GlobTek power supply/battery charger needs to be verified by the OEM systems engineer.

## INSTRUCTION SHEET

N/A

<p>GlobTek, Inc.  www.globtek.com  186 Veterans Drive,  Northvale, NJ 07647  Tel. (201) 784-1000  Fax (201) 784-0111</p>	Drawing Title: GT-46400-4019-1.0-T2, ICT/ITE Power Supply, Efficiency Level: USA DOE Level VI / Eco-design Directive 2009/125/EC, (EU) 2019/1782, Case Color/Style: GlobTek Black, Desktop/External, Regulated Switchmode AC-DC Power Supply AC Adaptor, Input Rating: 100-240V~, 50-60 Hz, IEC 60320/C8 , Output Rating: 40W, 18.0V@2.22A, Output Configuration: 1230 mm, 18/2 Cond, UL 2468, Split 30±5 mm, Stripped and Tinned 4±1 mm, Ferrite: Core Size: 14.2*28.5*8.2, GlobTek Black, GT Cord # C35332, Pin Out: White Stripe Wire (+V), Lettering Wire (-V), Blades/Input Cord: Not Applicable, Approvals: 230V CoC Tier 2; FCC; UKCA; cULus; Conforms to 62368-1; Morocco; SIQ; NOM (12V only); CAN ICES-3; CE; China RoHS; Double Insulation; IP40; Level VI; LPS 60950; PSE; RoHS; Ukraine; VCCI; WEEE; cULus; CB 62368; CB 60950; PSE; EAC;	
	Model No. GT-46400-4019-1.0-T2	
	Part No./Ordering No. TR9KH2220A00-N(R6B)	Rev A

