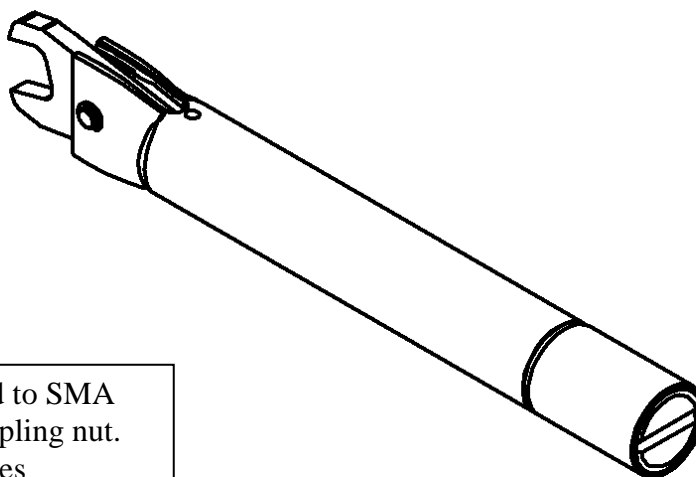
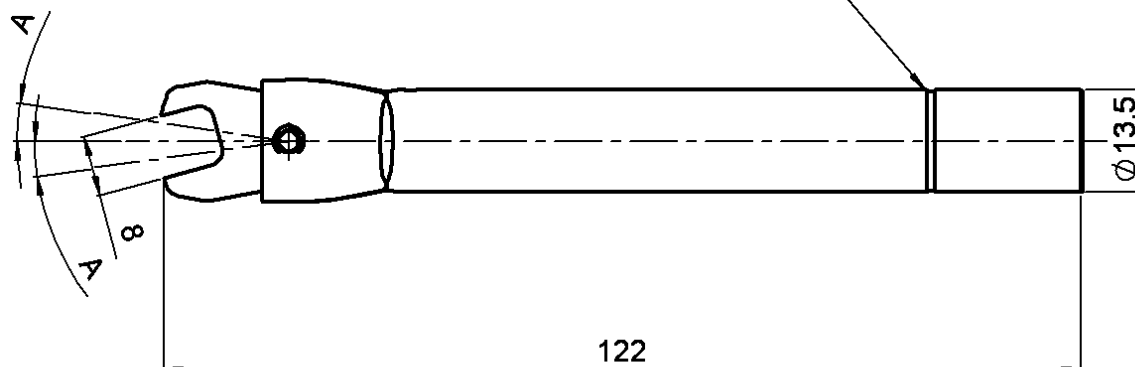


**TORQUE WRENCH****R282.320.030****8 MM - 60 N.cm**Series : **OUT**

SCALE : 1

Gorge pour controle du tarage  
(Checking groove)

This wrench is designed to SMA  
(Brass) connector's coupling nut.  
Durability : 10 000cycles

**OPERATION**

The torque wrench is designed to automatically make a « click sound ».

The wrench will work the same in both directions.

Be careful : **DO NOT APPLY PRESSURE** to the wrench **AFTER** hearing the click sound, it will possibly damage the connector.

**ENSURE PROPER TORQUE**

Apply verification force at the groove level on the handle.

- Coupling torque 55N.cm at 65N.cm
- A A' angular sweep approximately 8°

Issue : 0825 B

In the effort to improve our products, we reserve the right to make changes judged to be necessary.

