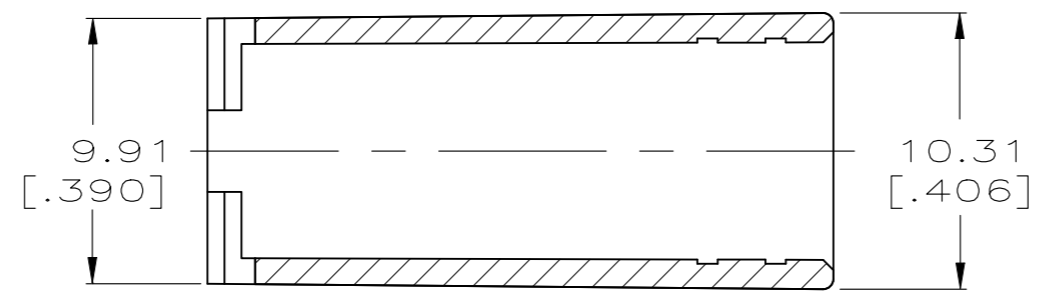
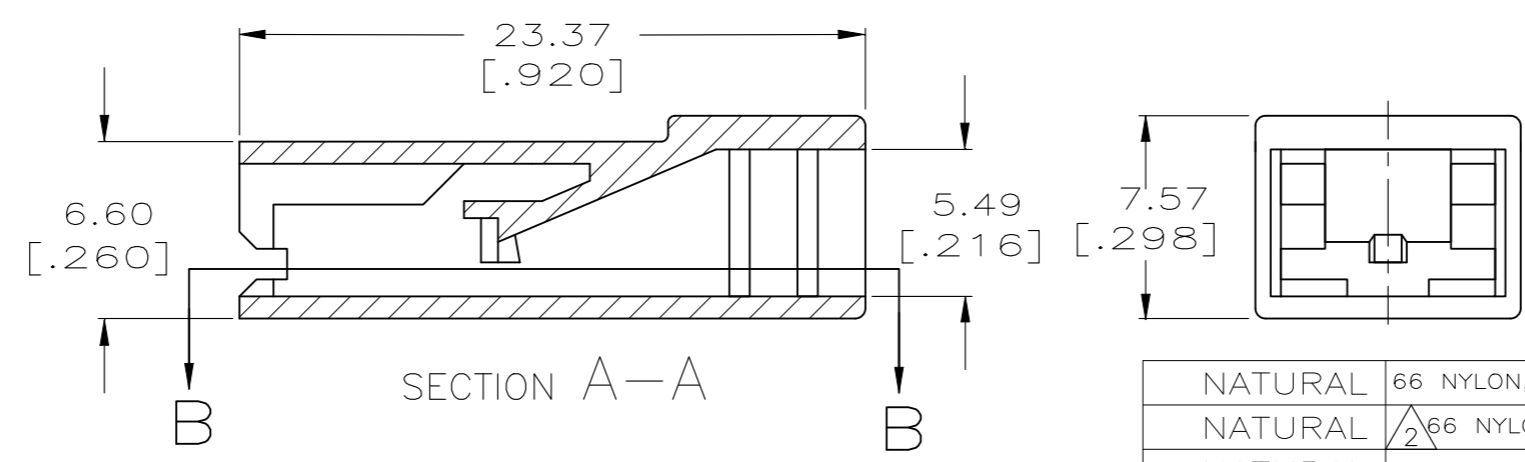


THIS DRAWING IS UNPUBLISHED. RELEASED FOR PUBLICATION
 © COPYRIGHT - By - ALL RIGHTS RESERVED.

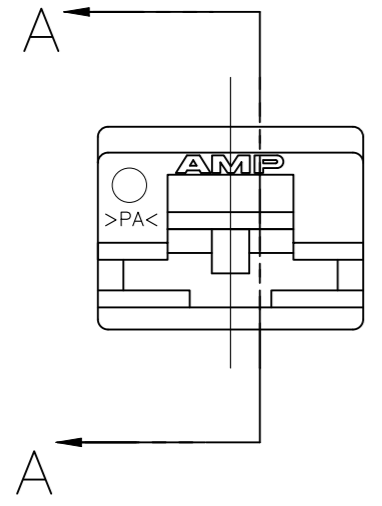
REVISIONS				
P	LTR	DESCRIPTION	DATE	APVD
	AR	REVISED PER ECR-23-167040	01MAR2023	DB RE



SECTION B-B



SECTION A-A



- 1 SPECIAL PACKAGING QUANTITIES.
- 2 POLYAMIDE ACCORDING TO IEC 60335-1, GLOW WIRE.
- 3 PRELIMINARY - NOT FOR PRODUCTION
- 5 CONTACT PRODUCT ENGINEERING FOR TERMINAL RECOMMENDATIONS WHEN USING THIS INSULATOR WITH 10 AWG WIRE

SUPERSEDED BY 2-480416-5
 SUPERSEDED BY 1-480416-0
 OBSOLETE
 SUPERSEDED BY 1-480416-0

NATURAL	66 NYLON, UL94 V0 150C	3	2-480416-4
NATURAL	66 NYLON, UL94 V0	3	2-480416-3
NATURAL	UL94 V2		2-480416-2
NATURAL	6/6 NYLON	3 1	2-480416-1
NATURAL	UL94 5VA RATED	3	2-480416-0
NATURAL	4/6 NYLON UL 150		1-480416-8
NATURAL	66 NYLON, V0		1-480416-7
NATURAL	POLYESTER		1-480416-6
RED	6/6 NYLON		1-480416-4
BLUE			1-480416-3
BLACK			1-480416-1
NATURAL			1-480416-0
FINISH	MATERIAL		PART NO

2	NATURAL	66 UL NYLON V0 NATURAL	2-480416-5
	BLACK	66/6 V0 BLACK	480416-2
	NATURAL	66/6 V0 NATURAL	480416-1
	FINISH	MATERIAL	PART NO

THIS DRAWING IS A CONTROLLED DOCUMENT.

DIMENSIONS: mm [INCHES]	TOLERANCES UNLESS OTHERWISE SPECIFIED: 0 PLC ± - 1 PLC ± - 2 PLC ± 0.38 [.015] 3 PLC ± - 4 PLC ± - ANGLES ± -	DWN JR RUTH 2/4/91	
	MATERIAL SEE TABLE	CHK P FORTNEY 2/4/91	
	FINISH SEE TABLE	APVD C MEYERS 2/4/91	
		NAME HOUSING, RECEPTACLE, FASTON, 6.35 [.250] SERIES	
		PRODUCT SPEC -	SIZE A3
		APPLICATION SPEC -	CAGE CODE 00779
		WEIGHT	DRAWING NO C-480416
		CUSTOMER DRAWING	RESTRICTED TO -
		SCALE 4:1	SHEET 1 OF 1
			REV AR