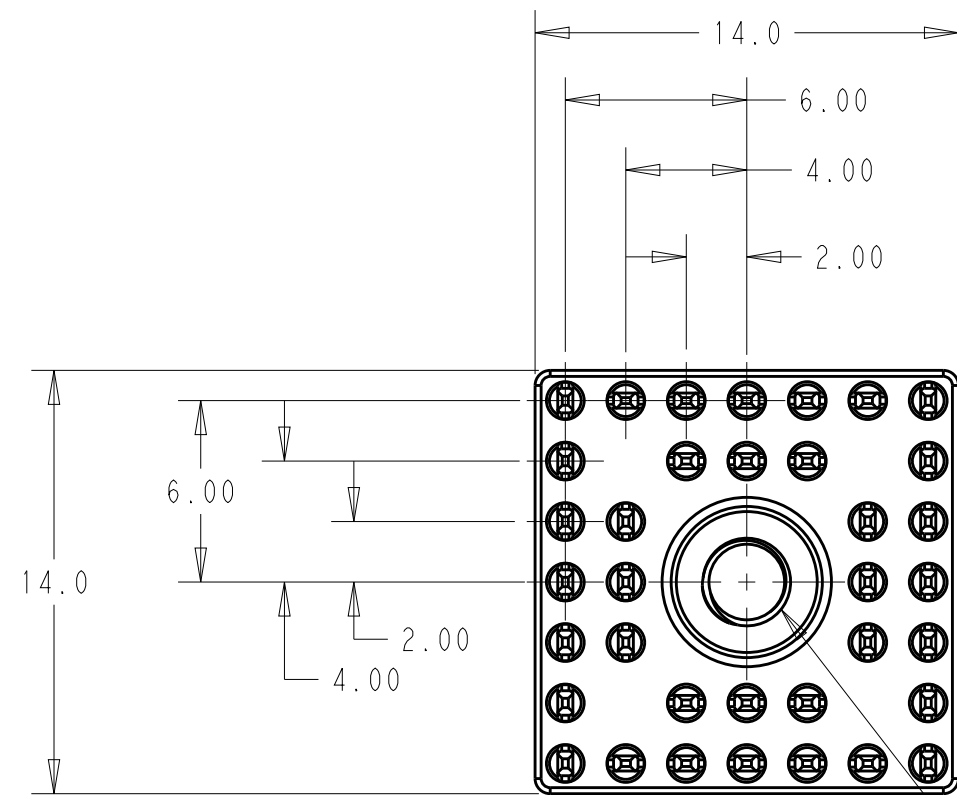
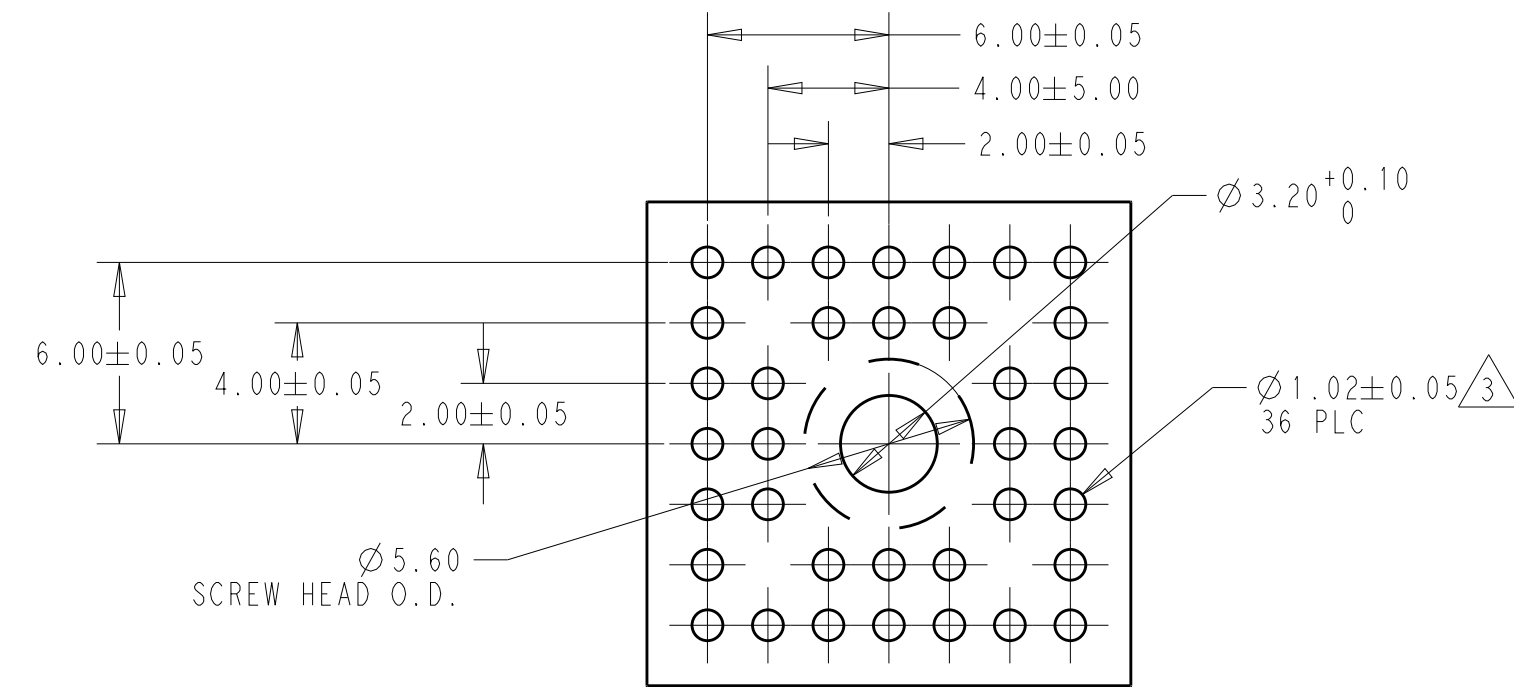
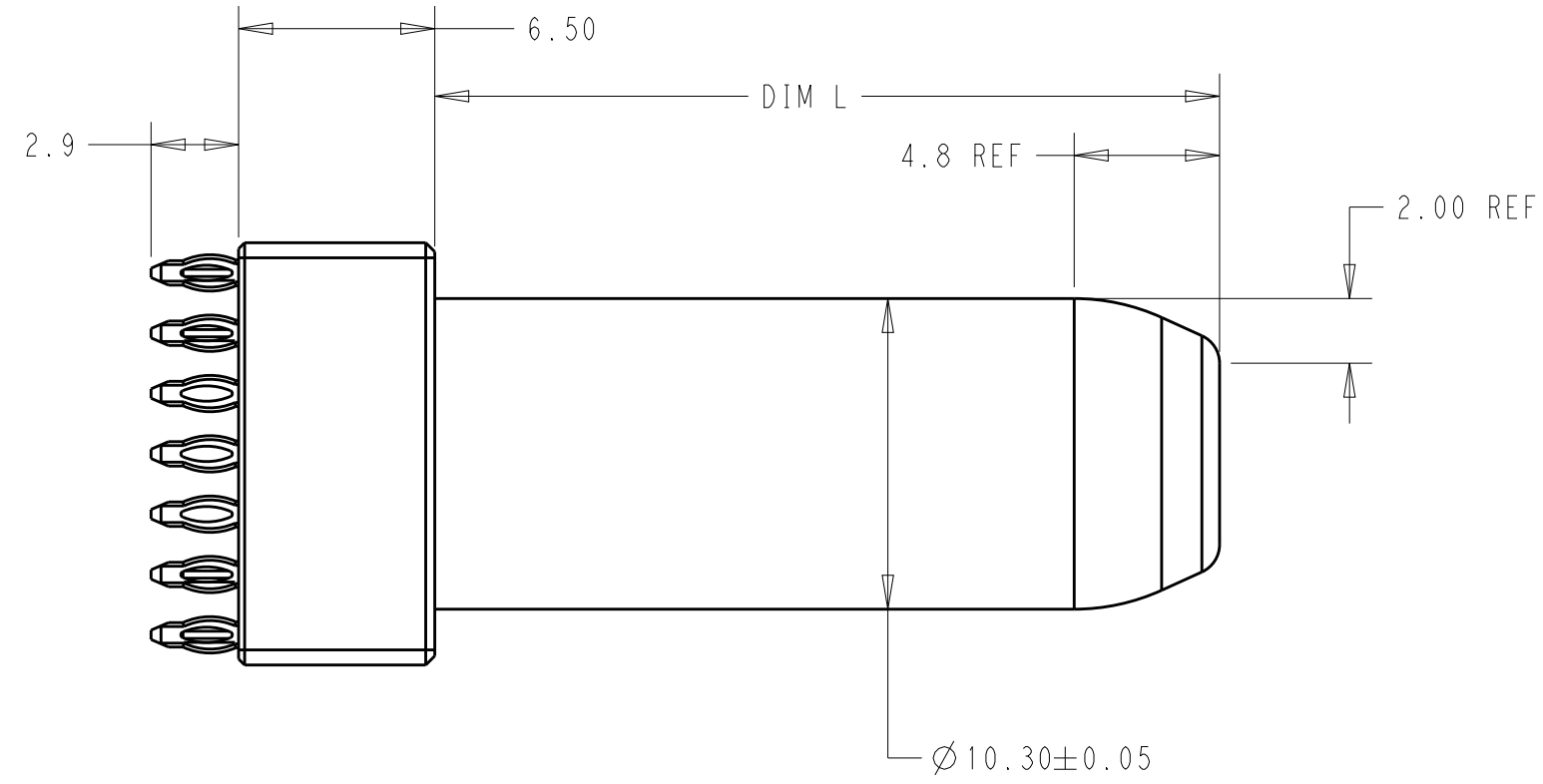


P	LTR	DESCRIPTION	DATE	DWN	APVD
A		RELEASE	13OCT2020	AL	SZ



M3*0.5-6H
THREAD DEPTH 6.0
OPTIONAL PLATING



RECOMMENDED PCB LAYOUT
PCB THICKNESS: 2mm MIN

NOTES:

- MATERIAL: COPPER ALLOY FOR ROUND SOCKET, SQUARE BODY, AND COMPLIANT PINS.
- FINISH:
 ROUND SOCKET: 150µIN MIN SILVER OVER 50µIN MIN NICKEL PLATING
 SQUARE BODY: 150µIN MIN NICKEL PLATING
 COMPLIANT PINS: 80µIN MIN TIN OVER 50µIN NICKEL PLATING
- RECOMMENDED PCB HOLE SPEC:
 DRILLED HOLE: $\varnothing 1.15 \pm 0.025$ mm
 FINISHED HOLE: $\varnothing 1.02 \pm 0.05$ mm
 COPPER PLATING: 0.03mm MIN PER SURFACE
 TIN PLATING: 0.008mm MIN PER SURFACE
- ELECTRICAL PERFORMANCE: 350A CURRENT
- INSTALLATION: APPROX. 200Lbf TO PRESS ASSEMBLY ONTO BOARD
- RECOMMENDED TORQUE FOR M3 SCREW: 5Kgf*cm

19.0	2358714-3
46.0	2358714-2
26.0	2358714-1
DIM L	PART NUMBER

THIS DRAWING IS A CONTROLLED DOCUMENT.		DWN	04JUL2019	TE Connectivity	
DIMENSIONS:		CHK	ANDY LI		
mm		APVD	SUNY ZHAO		
TOLERANCES UNLESS OTHERWISE SPECIFIED:		PRODUCT SPEC	108-128111	NAME	
0 PLC ±		APPLICATION SPEC	114-128112	PIN SIZE 10.3mm, PIN PRESS FIT, IC CON BLOCK	
1 PLC ±0.3		WEIGHT	-	SIZE	A2
2 PLC ±0.2		CUSTOMER DRAWING	-	CAGE CODE	00779
3 PLC ±0.1		SCALE	4:1	DRAWING NO	C-2358714
4 PLC ±0.0001		SHEET	1	RESTRICTED TO	-
ANGLES ±		OF	1	REV	A
FINISH		REV			