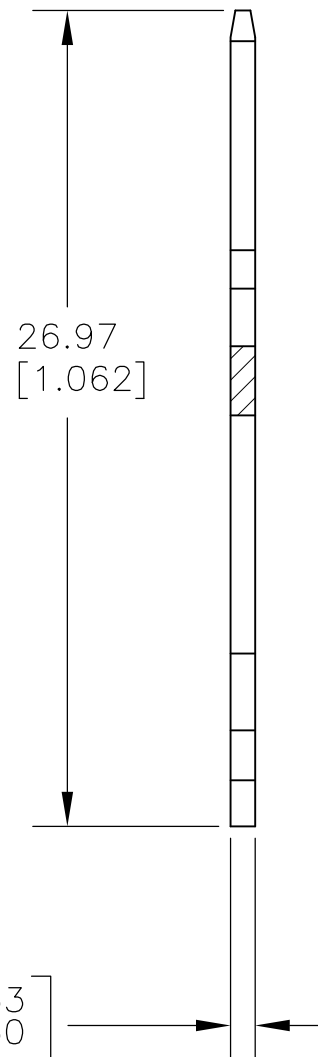
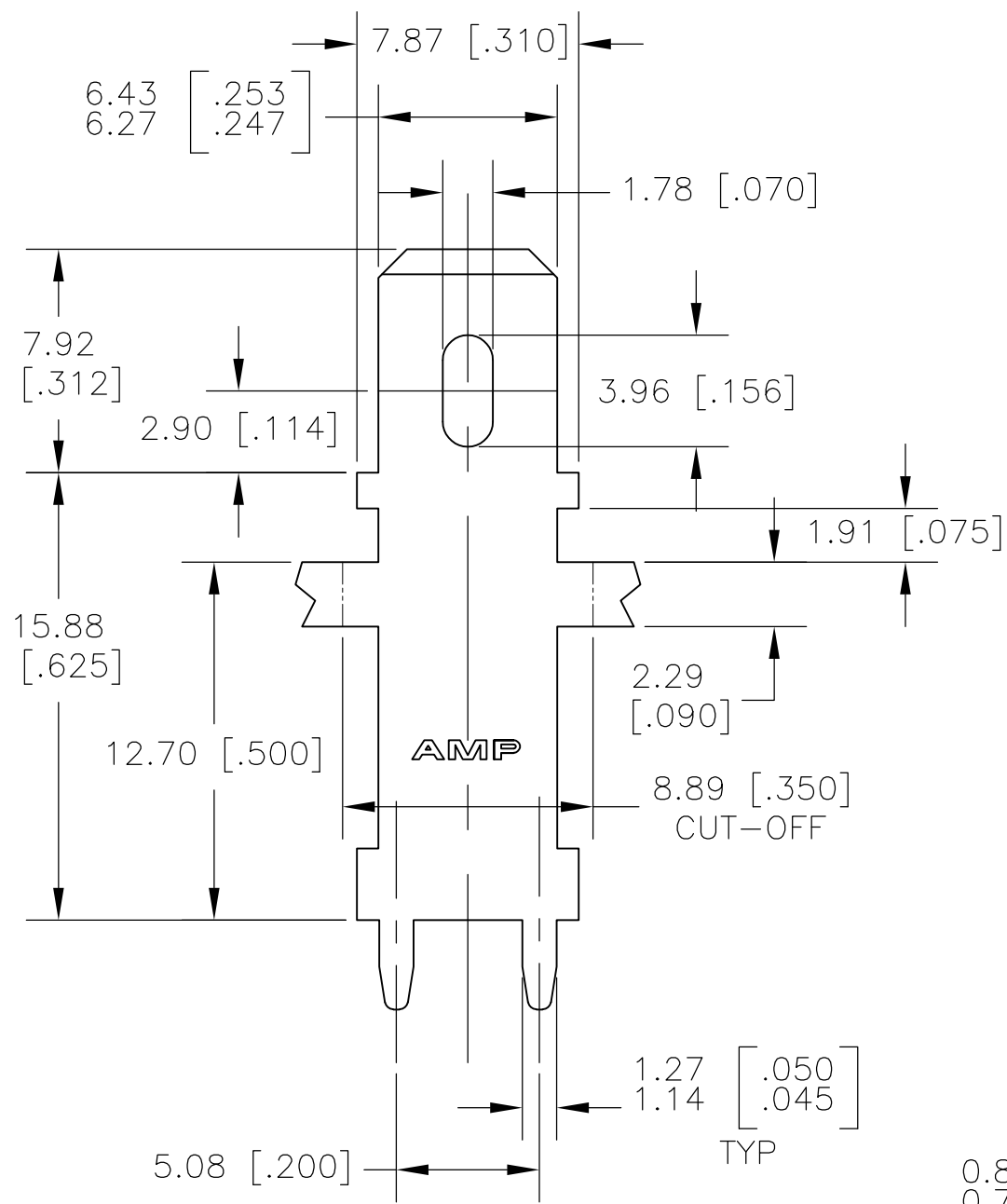
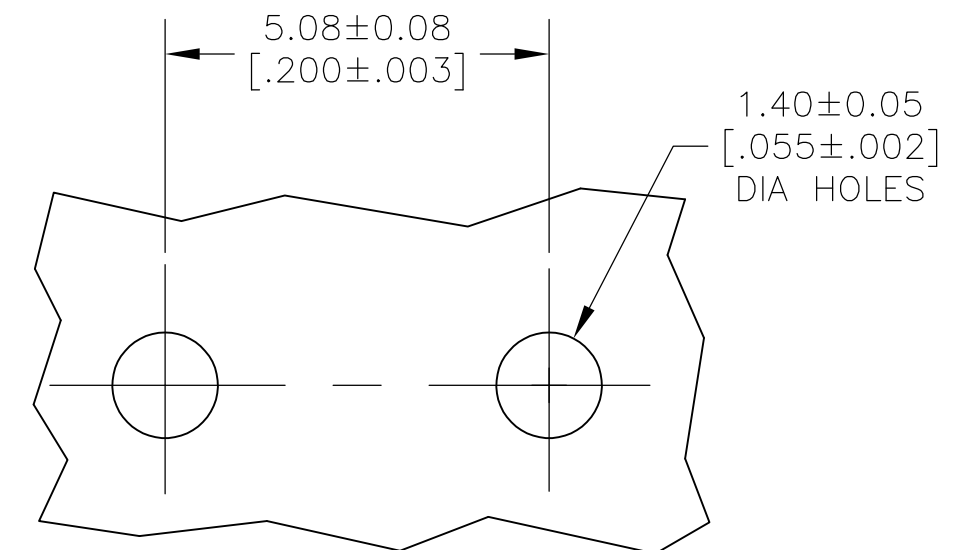


THIS DRAWING IS UNPUBLISHED. RELEASED FOR PUBLICATION  
 © COPYRIGHT - By - ALL RIGHTS RESERVED.

LOC	DIST	REVISIONS			
P	LTR	DESCRIPTION	DATE	DWN	APVD
AF	50	H	REVISED PER ECR-13-001204	24JUN13	KH PD



- 1 CONTINUOUS STRIP ON REELS
- 2 FEED IS 8.89±0.076 [.350±.003].
- 3 0.00381 [.000150] MIN TIN OVER  
0.00127 [.000050] MIN NICKEL.
- 4 REELED WITH INTERLEAVING PAPER
- 5 PRELIMINARY - NOT FOR PRODUCTION



P.C. BOARD HOLES  
SCALE 10:1

4	BRASS	5	63949-3
	BRASS	5	63949-2
	BRASS		63949-1
	MATERIAL		PART NO.

THIS DRAWING IS A CONTROLLED DOCUMENT.		DWN	JR RUTH	05DEC00	<b>STE</b> TE Connectivity													
DIMENSIONS: INCHES		CHK	MS FEHER	05DEC00														
TOLERANCES UNLESS OTHERWISE SPECIFIED:		APVD	G PORTA	05DEC00	NAME													
<table border="0"> <tr><td>0 PLC</td><td>± -</td></tr> <tr><td>1 PLC</td><td>± -</td></tr> <tr><td>2 PLC</td><td>± 0.25 [.010]</td></tr> <tr><td>3 PLC</td><td>± -</td></tr> <tr><td>4 PLC</td><td>± -</td></tr> <tr><td>ANGLES</td><td>± -</td></tr> </table>		0 PLC	± -	1 PLC	± -	2 PLC	± 0.25 [.010]	3 PLC	± -	4 PLC	± -	ANGLES	± -	PRODUCT SPEC		TAB, FASTON, P.C. BOARD, 6.35 [.250] SERIES		
0 PLC	± -																	
1 PLC	± -																	
2 PLC	± 0.25 [.010]																	
3 PLC	± -																	
4 PLC	± -																	
ANGLES	± -																	
MATERIAL SEE TABLE		FINISH		3	APPLICATION SPEC		114-2115											
		WEIGHT		-	SIZE	A3	CAGE CODE	00779	DRAWING NO	C-63949	RESTRICTED TO	-						
CUSTOMER DRAWING					SCALE	4:1	SHEET	1 OF 1	REV	H								