

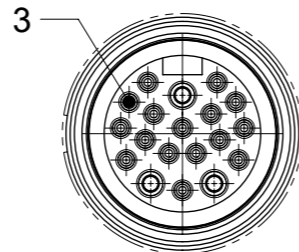
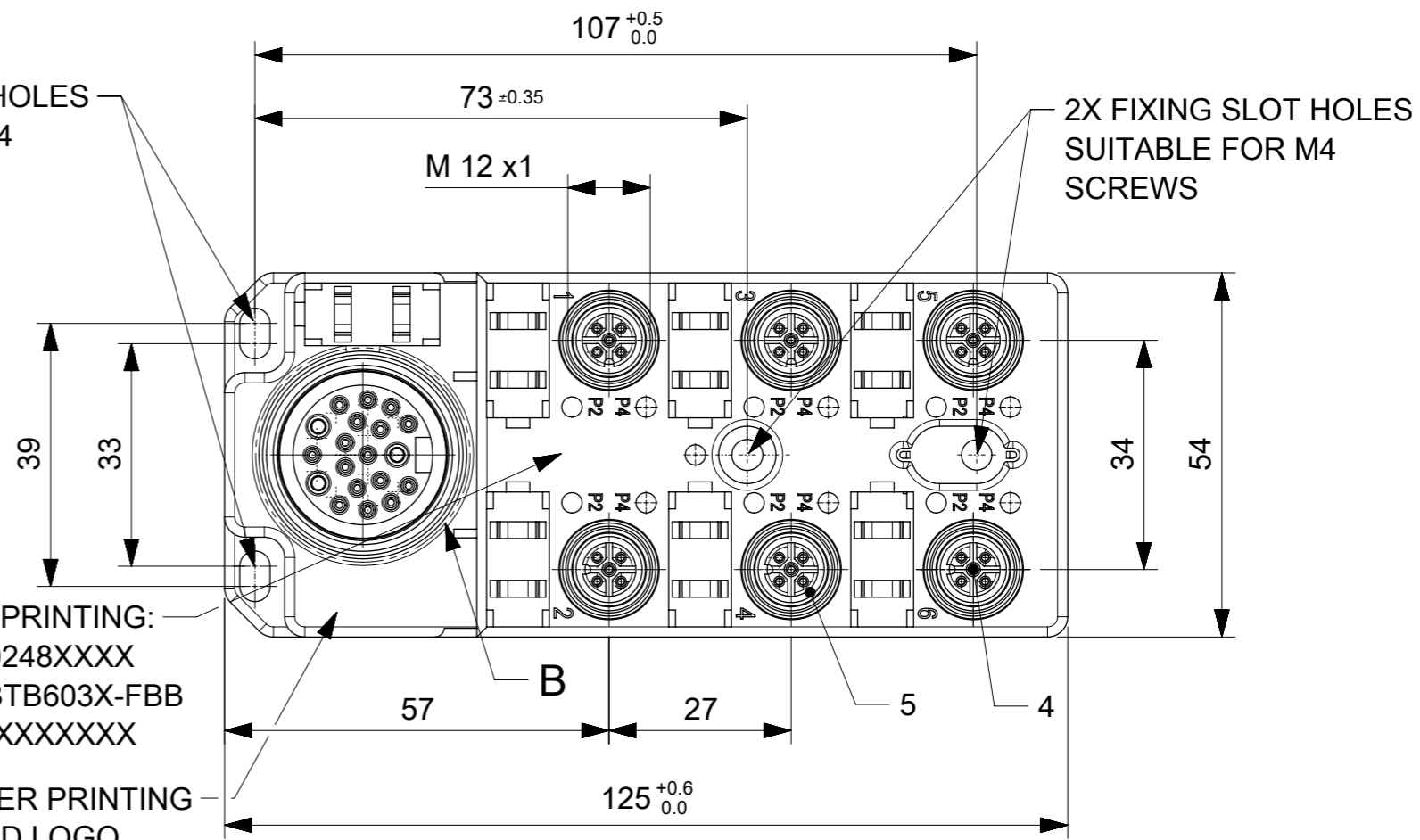
TABLE 1

MOLEX P/N	ENG. NO.	LED
1202480079	BTB6030-FBB	NO
1202480080	BTB603P-FBB	YES
1202480081	BTB603N-FBB	YES

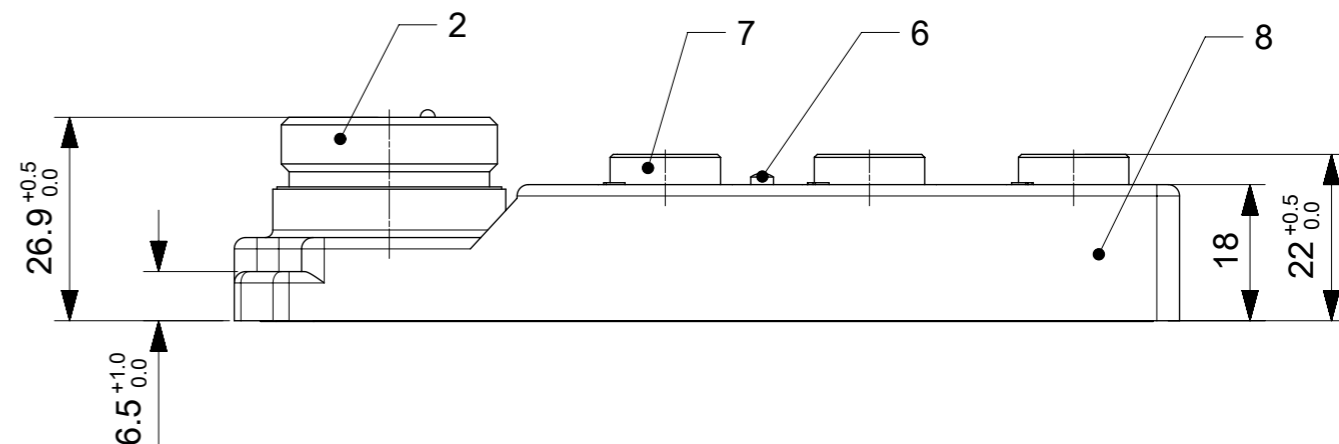
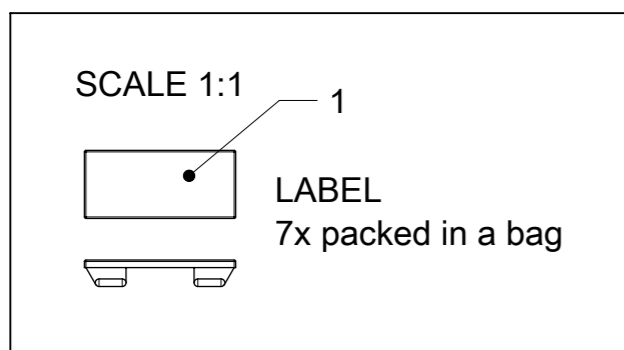
TABLE 2 BILL OF MATERIAL

ITEM	DESCRIPTION	MATERIAL	FINISH
1	LABEL	ABS	WHITE
2	SHELL	BRASS	NICKEL PLATED
3	CONTACT	BRASS	GOLD OVER NICKEL
4	CONTACT	BRONZE	GOLD OVER NICKEL
5	O-RING	FPM	RED
6	LED	NO LED = PA	BLACK
		WITH LED = PA	TRANSPARENT
7	SHELL	BRASS	NICKEL PLATED
8	HOUSING	PBT	BLACK

2X FIXING SLOT HOLES
SUITABLE FOR M4
SCREWS



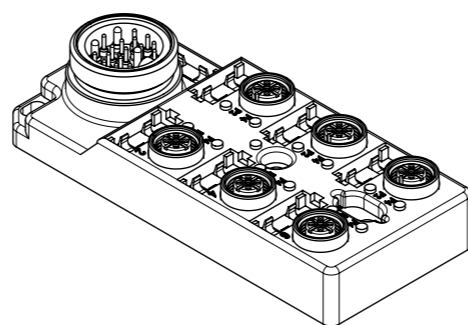
DETAIL B
SCALE 1:1
NOTE - PINS 7, 8, 12
NOT USED



GENERAL CHARACTERISTICS:

ELECTRICAL AND MECHANICAL DATA ACC. TO IEC 61076-2-101

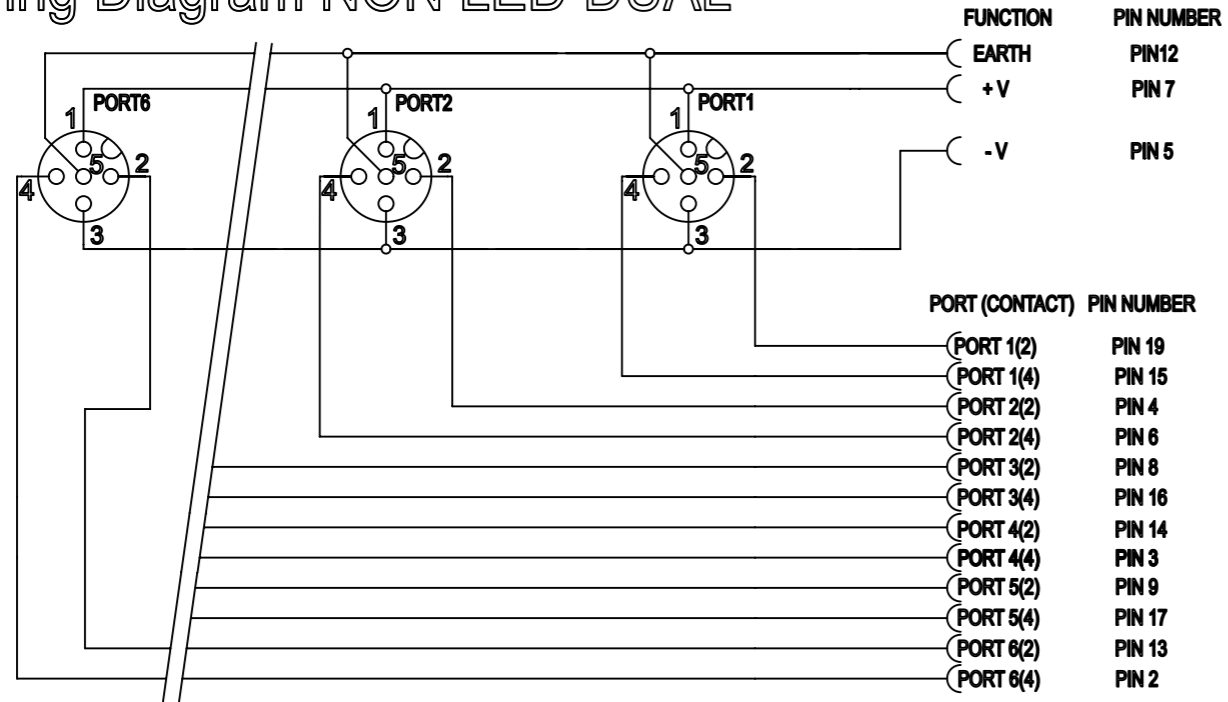
NOMINAL VOLTAGE: 10-30 V DC
 AMPERE RATING: 4 A PER PORT / 12 A MAX
 AMPERE RATING WITH UL REGISTRATION: 3 A PER PORT / 9 A MAX
 IP DEGREE OF PROTECTION: IP 67
 TEMPERATURE RANGE: -25°C to + 85°C



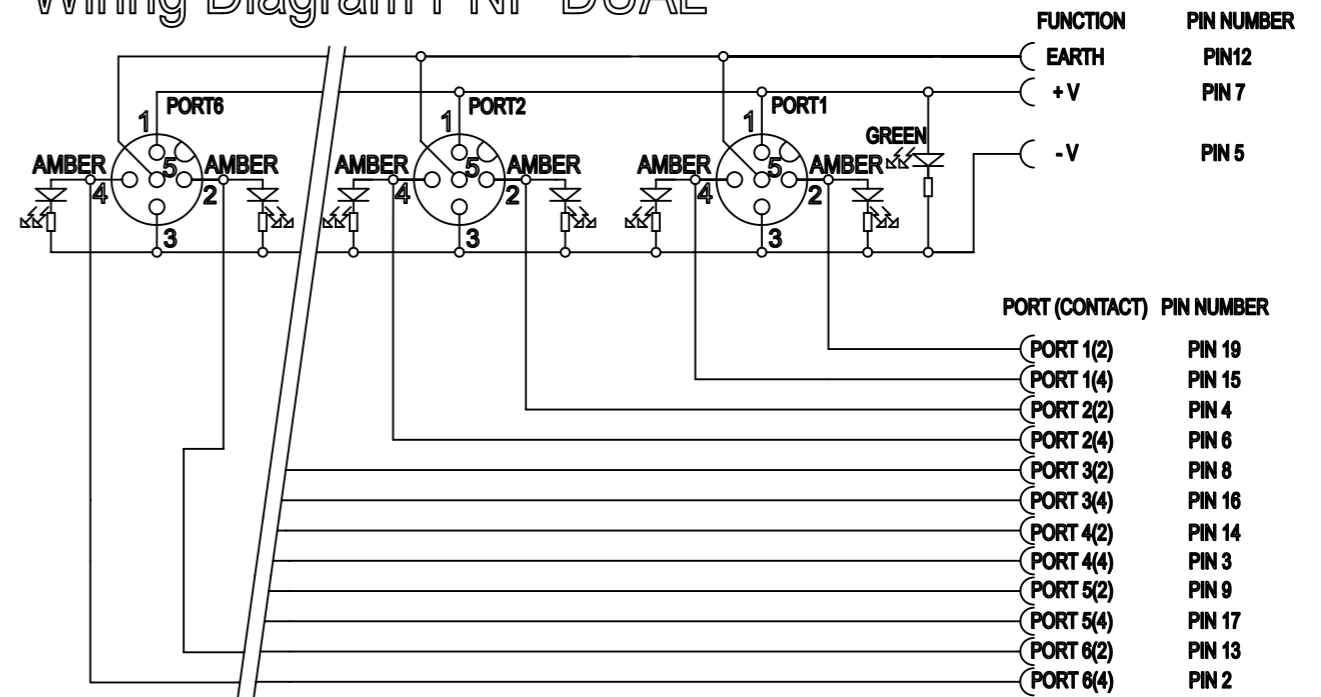
SCALE 1:2

SYMBOLS	THIS DRAWING CONTAINS INFORMATION THAT IS PROPRIETARY TO MOLEX ELECTRONIC TECHNOLOGIES, LLC AND SHOULD NOT BE USED WITHOUT WRITTEN PERMISSION	
DIMENSION UNITS	SCALE	CURRENT REV DESC: LASER PRINTING ADDED
▽ = 0	mm	<p>molex</p> <p>MPIS M12 PNP NPN NOS 5P 6PT 19P MC BK STA DUAL</p>
▽ = 0	GENERAL TOLERANCES (UNLESS SPECIFIED)	
▽ = 0	ANGULAR TOL ± °	<p>EC NO: 606042</p> <p>DRWN: MDHARMANTI 2018/08/31</p> <p>CHK'D: RSILLER 2018/10/18</p> <p>APPR: RSILLER 2018/10/18</p>
▽ = 0	4 PLACES ±	<p>INITIAL REVISION:</p> <p>DRWN: ULETENMEIER 2016/04/14</p> <p>APPR: RSILLER 2017/01/18</p>
▽ = 0	3 PLACES ±	
▽ = 0	2 PLACES ±	<p>DOCUMENT NUMBER</p> <p>1202480079</p>
▽ = 0	1 PLACE ±	<p>DOC TYPE</p> <p>PSD</p>
▽ = 0	0 PLACES ± 0.25	<p>DOC PART</p> <p>000</p>
□ = 0	DRAFT WHERE APPLICABLE MUST REMAIN WITHIN DIMENSIONS	<p>REVISION</p> <p>B</p>
▽ = 0	THIRD ANGLE PROJECTION	<p>MATERIAL NUMBER</p> <p>SEE TABLE 1</p>
	DRAWING	<p>CUSTOMER</p> <p>GENERAL MARKET</p>
	SERIES	<p>SHEET NUMBER</p> <p>1 OF 2</p>
	A3-SIZE	
	120248	

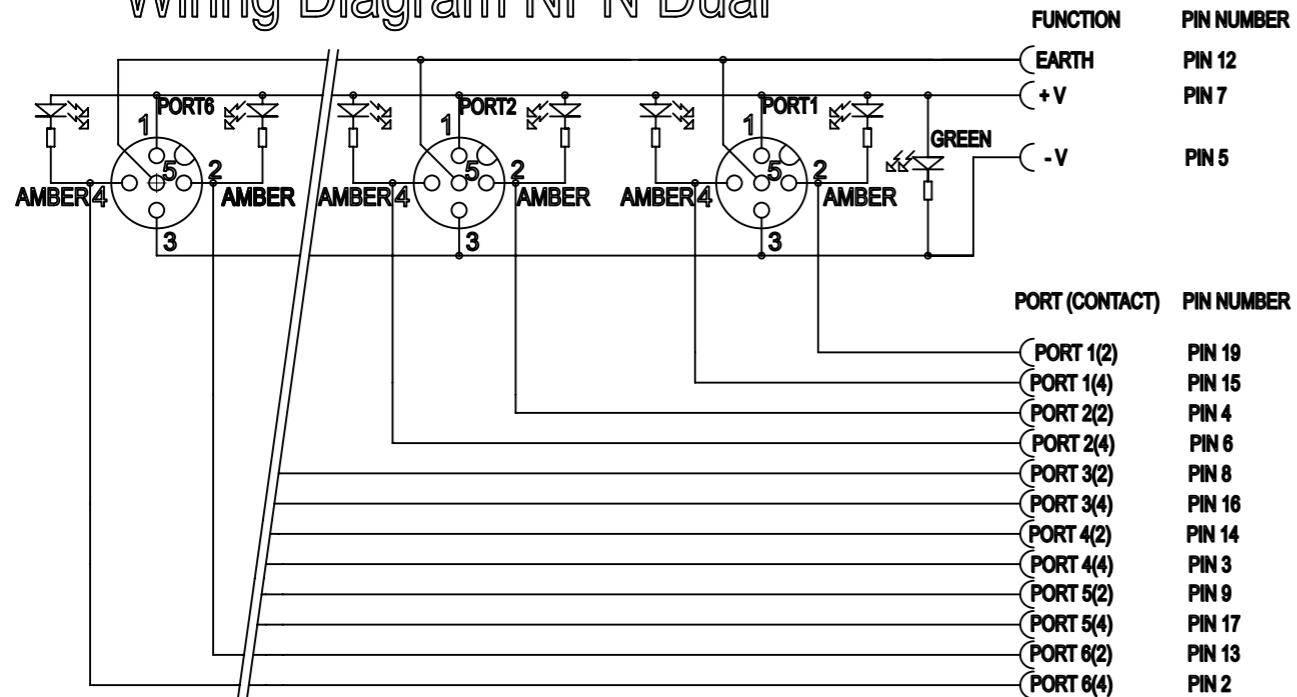
Wiring Diagram NON LED DUAL



Wiring Diagram PNP DUAL



Wiring Diagram NPN Dual



SYMBOLS	THIS DRAWING CONTAINS INFORMATION THAT IS PROPRIETARY TO MOLEX ELECTRONIC TECHNOLOGIES, LLC AND SHOULD NOT BE USED WITHOUT WRITTEN PERMISSION		CURRENT REV DESC: LASER PRINTING ADDED		molex
	DIMENSION UNITS	SCALE			
▽ = 0	mm		EC NO: 606042		MPIS M12 PNP NPN NOS 5P 6PT 19P MC BK STA DUAL
▽ = 0	GENERAL TOLERANCES (UNLESS SPECIFIED)		DRWN: MDHARMANTI 2018/08/31		
▽ = 0	ANGULAR TOL ± °		CHK'D: RSILLER 2018/10/18		PRODUCT CUSTOMER DRAWING
▽ = 0	4 PLACES ±		APPR: RSILLER 2018/10/18		
▽ = 0	3 PLACES ±		INITIAL REVISION:		DOCUMENT NUMBER
▽ = 0	2 PLACES ±		DRWN: ULETENMEIER 2016/04/14		
▽ = 0	1 PLACE ±		APPR: RSILLER 2017/01/18		1202480079
▽ = 0	0 PLACES ± 0.25		THIRD ANGLE PROJECTION		
■ = 0	DRAFT WHERE APPLICABLE MUST REMAIN WITHIN DIMENSIONS		DRAWING	SERIES	DOC TYPE
▽ = 0			A3-SIZE	120248	PSD
			SEE TABLE 1	GENERAL MARKET	000
					B
					2 OF 2