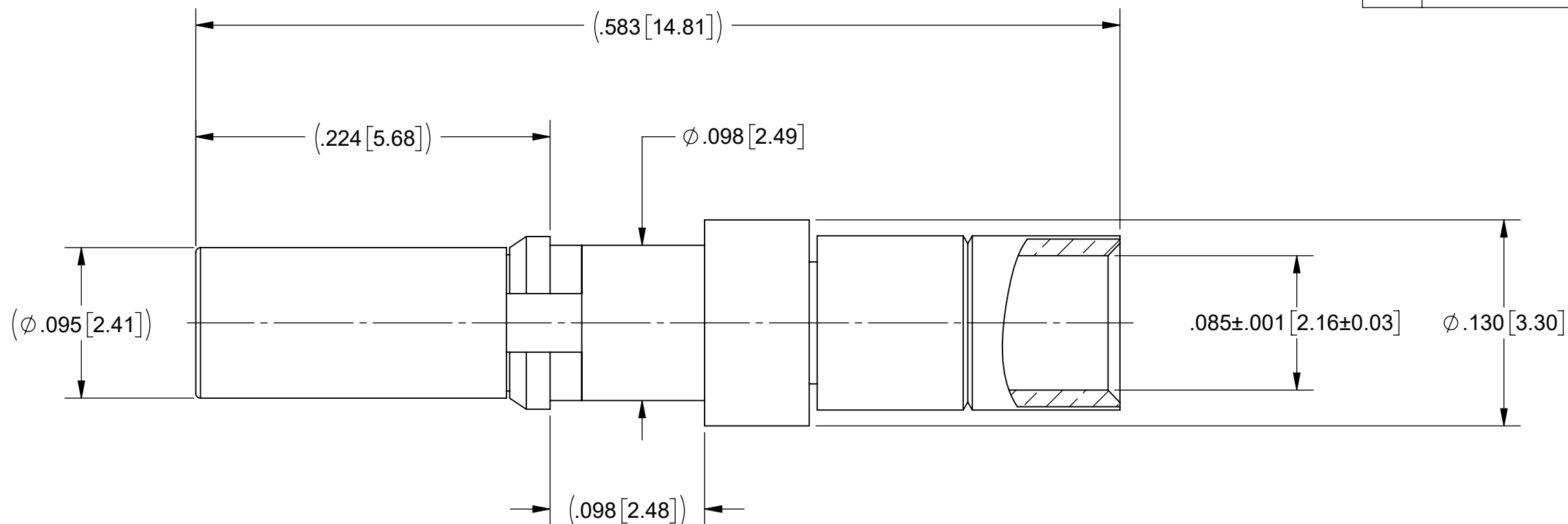


# PRODUCT DATA DRAWING

| REVISION HISTORY |             |       |          |
|------------------|-------------|-------|----------|
| REV              | DESCRIPTION | DATE  | APPROVED |
| -                | DCN 49087   | 06/19 | JDT      |
|                  |             |       |          |
|                  |             |       |          |



**MATERIAL:**

**BODY & SHROUD:** STAINLESS STEEL PER AMS-5640, ALLOY UNS S30300, TYPE 1; OR ASTM A582 TYPE 303, COND. A

**CONTACT, FERRULE & RETAINING RING:** BERYLLIUM COPPER PER ASTM B196, ALLOY No. UNS C17300, TD04

**INSULATOR:** PTFE PER ASTM D1710, TYPE I, GRADE 1, CLASS B

**FINISH:**

**BODY & SHROUD:** PASSIVATED PER AMS-2700

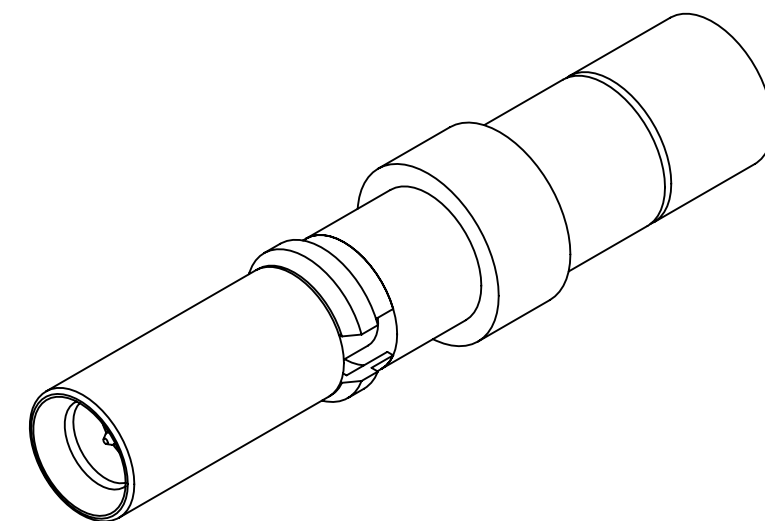
**CONTACT & FERRULE:** GOLD PER ASTM B488, TYPE II, CODE C, CLASS 1.27, OVER NICKEL PER AMS-QQ-N-290, CLASS 1, .00005"MIN.

**RETAINING RING:** NICKEL PER AMS-QQ-N-290, CLASS 1, GRADE G

**PERFORMANCE:**

**IMPEDANCE:** 50 OHMS

**FREQ. RANGE:** DC TO 67.0 GHz



**NOTES:**

- FOR USE WITH 67.3 SMPS PLUG-IN MODULES

|   |  |   |   |
|---|--|---|---|
| MATERIAL: SEE NOTES   | DIMENSIONS ARE IN INCHES TOLERANCES:<br>FRACTIONAL: ±1/64 ANGULAR: X° ±1'0"<br>X'X' ±15' | UNLESS OTHERWISE SPECIFIED<br>1) ALL DIMENSIONS ARE IN INCHES (MILLIMETERS)<br>2) ALL DIMENSIONS ARE AFTER PLATING.<br>3) BREAK CORNERS & EDGES .005 R. MAX.<br>4) CHAM. 1ST & LAST THREADS.<br>5) SURFACE ROUGHNESS 63-MIL-STD-10.<br>6) DIA.'S ON COMMON CENTERS TO BE CONCENTRIC WITHIN .005 T.I.R.<br>7) REMOVE ALL BURRS | <br>2400 Centrepark West Drive, Suite 100<br>West Palm Beach, FL 33409<br>TITLE: VITA 67.3 SMPS PLUG-IN CONTACT FOR Ø.086 CABLE |
| FINISH: SEE NOTES   | DECIMAL: X ±.030<br>.XX ±.010<br>.XXX ±.005  | INTERPRET DIMENSIONS AND TOLERANCES PER ASME Y14.5M - 1994  |   |
| SURFACE AREA: N/A   | THIRD ANGLE PROJECTION   | DRAWN: SJ 06/03/19  | SIZE: B   |
| PROPRIETARY<br>THE INFORMATION CONTAINED IN THIS DRAWING IS THE SOLE PROPERTY OF SV MICROWAVE, INC. ANY REPRODUCTION IN PART OR AS A WHOLE WITHOUT THE WRITTEN PERMISSION OF SV MICROWAVE, INC IS PROHIBITED. |  | CHECKED: JDT 06/03/19   | DWG. NO. SF3811-60059   |
|   |  | APPROVED: JDT 06/03/19  | SCALE: 8:1  |