

THIS DRAWING IS UNPUBLISHED.

RELEASED FOR PUBLICATION

ALL RIGHTS RESERVED.

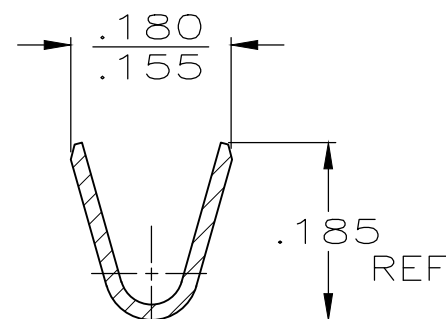
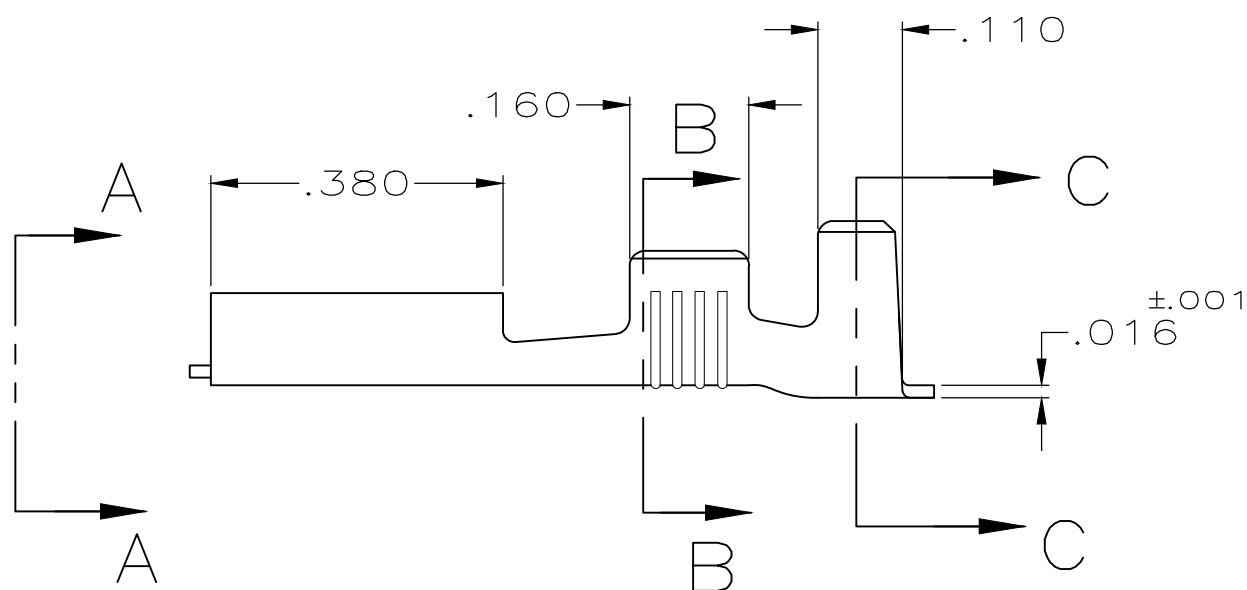
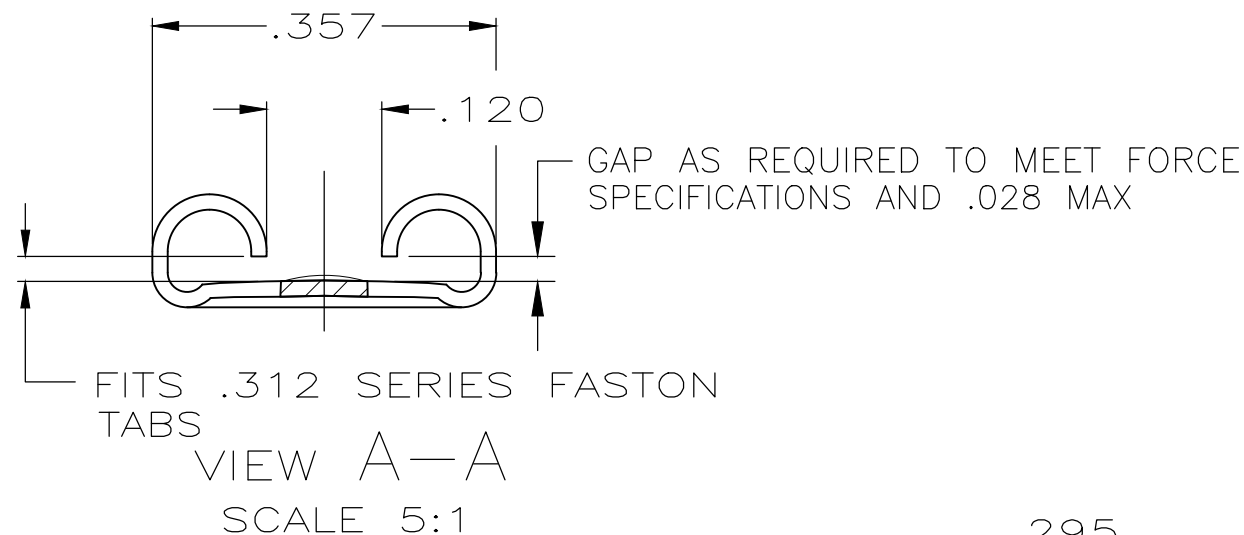
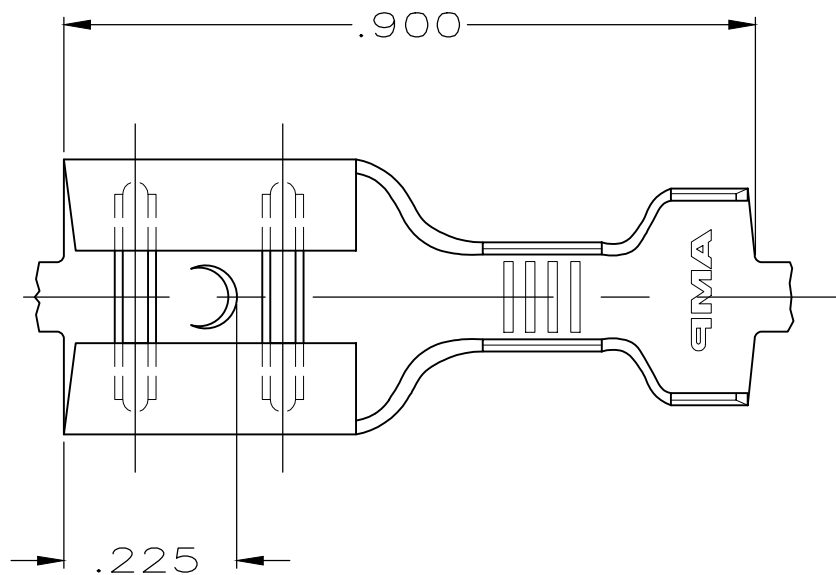
© COPYRIGHT - By -

LOC AF DIST 50

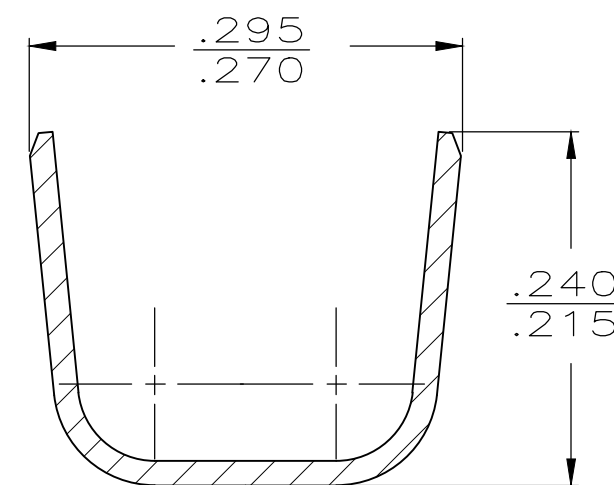
REVISIONS

P	LTR	DESCRIPTION	DATE	DWN	APVD
	K1	REVISED PER ECR-20-009164	27JUL2020	MK	DH

1 CONTINUOUS STRIP ON REELS



SECTION B-B SCALE 5:1



SECTION C-C SCALE 5:1

.110-.210 OR (2).110 MAX	16-12 AWG	.033-.030	61399-1
INSULATION RANGE	WIRE SIZE	MATING TAB THK	PART NO

THIS DRAWING IS A CONTROLLED DOCUMENT.		DWN JR RUTH 10/28/91	TE Connectivity	
DIMENSIONS: INCHES		CHK MS FEHER 10/28/91		
		APVD C MEYERS 10/28/91		
TOLERANCES UNLESS OTHERWISE SPECIFIED:		PRODUCT SPEC	NAME RECEPTACLE, FASTON, .312 SERIES	
0 PLC ± -		APPLICATION SPEC	SIZE CAGE CODE DRAWING NO RESTRICTED TO	
1 PLC ± -		114-2036	A3 00779 C-61399	
2 PLC ± -		WEIGHT -	SCALE 4:1 SHEET 1 OF 1 REV K1	
3 PLC ± .010		CUSTOMER DRAWING		
4 PLC ± -				
ANGLES ± -				
FINISH				
MATERIAL BRASS				
FINISH TIN				