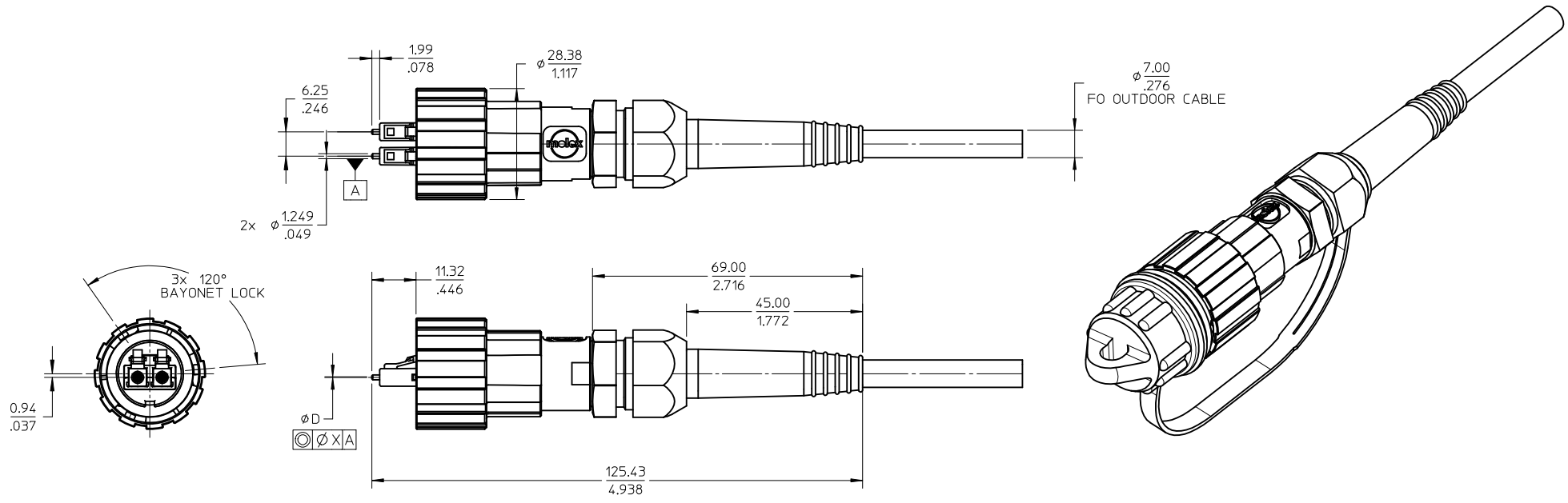


10	9	8	7
PLUG ASSY P/N	CABLE TYPE	ØD (H)	ØX (H)
1060597100	MULTIMODE	127 +3/-0	3
1060597500	SINGLE MODE	125.5 +0.5/-0	0.5



NOTES:  
 1. ALL DIMENSIONS SHOWN ARE FOR REFERENCE ONLY.  
 2. DUST CAP AND TETHER ARE SHOWN IN THE ISOMETRIC VIEW ONLY.

ENTER DESCRIPTION EC NO: MF2011-0319 IT/DRWN:YBEDNYAK 2011/02/10 CHKD: APPR:WCHEN 2011/03/01 REV DESCRIPTION	QUALITY SYMBOLS	GENERAL TOLERANCES (UNLESS SPECIFIED)	DIMENSION STYLE	SCALE	DESIGN UNITS	THIRD ANGLE PROJECTION	
	▼=0 ▽=0	mm INCH	MM/IN	1:1	METRIC		
		4 PLACES ± --- ± --- 3 PLACES ± --- ± --- 2 PLACES ± --- ± --- 1 PLACE ± --- ± ---	DRAWN BY DATE B. ANDREI 11/02/2006 CHECKED BY DATE S. MIGO 12/4/2006 APPROVED BY DATE WCHEN 2010/10/05	TITLE	PLUG ASSEMBLY METAL BODY INDUSTRIAL LC WITH LOGO		
		ANGULAR ± ---°	MATERIAL NO. SEE TABLE	MOLEX INCORPORATED	DOCUMENT NO. SD-106059-7100	SHEET NO. 1 OF 1	
DRAFT WHERE APPLICABLE MUST REMAIN WITHIN DIMENSIONS		THIS DRAWING CONTAINS INFORMATION THAT IS PROPRIETARY TO MOLEX INCORPORATED AND SHOULD NOT BE USED WITHOUT WRITTEN PERMISSION					