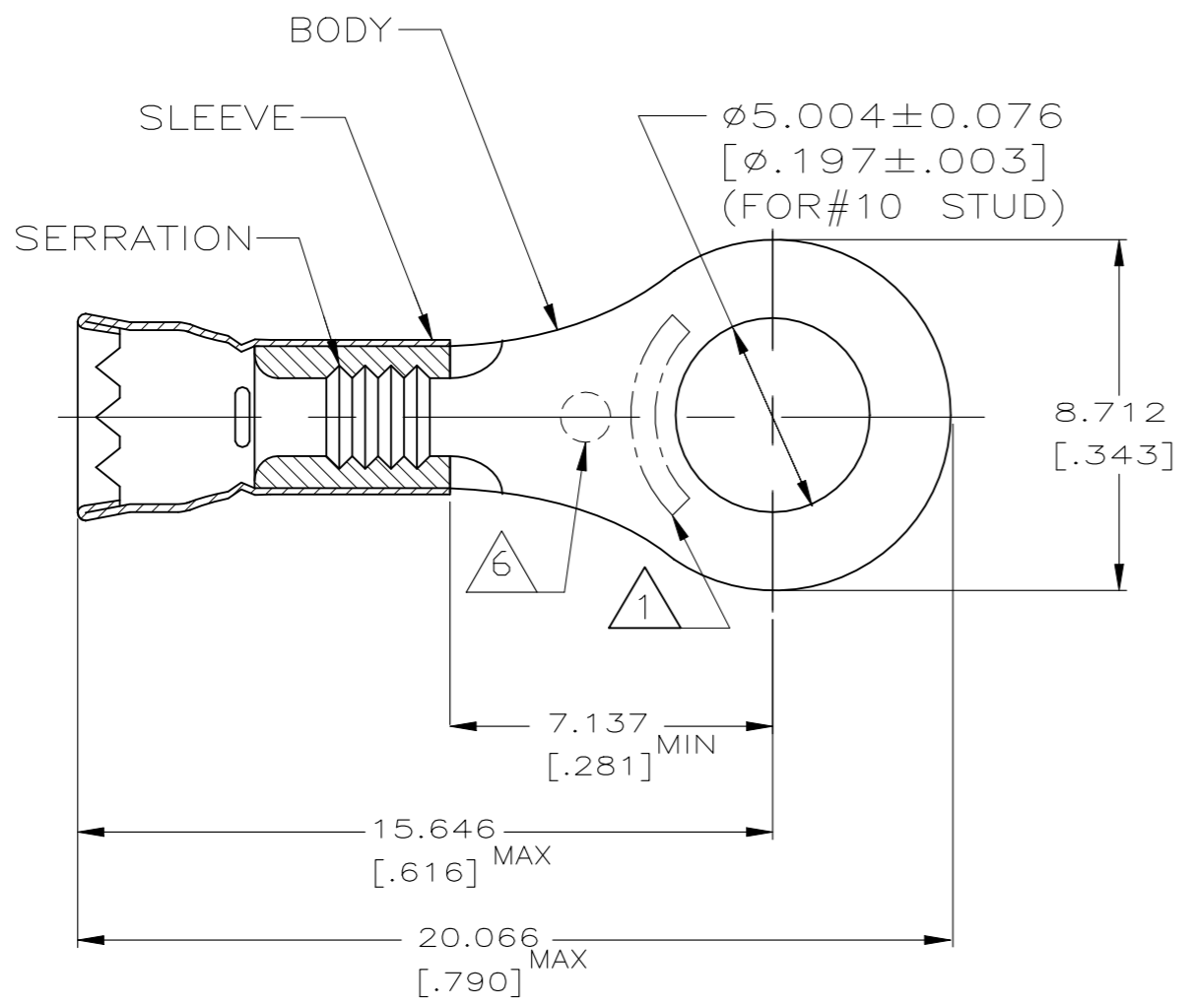


© - TE Connectivity. All Rights Reserved.

REVISIONS				
P	LTR	DESCRIPTION	DATE	APVD
	D	REVISED PER ECR-22-152397	06OCT2022	BB DSC

AMP WIRE RANGE	Listed FILE E13288	LR7189 Certified
16-14 AWG SOLID OR STRANDED	16-14 AWG SOLID OR STRANDED	16-14 AWG SOLID OR STRANDED



- 1 STAMP AMP 16-14* APPROX AS SHOWN
- 2. WIRE INSULATION DIAMETER:
Ø2.921 [.115] TO Ø4.318 [.170]
- 3. BODY MATERIAL THK: 0.787 ± 0.051 [.031 ± .002]
- 4 MATERIAL:
BODY & SLEEVE - COPPER PER ASTM B152
- 5 FINISH:
BODY & SLEEVE - TIN PLATE 0.00254 [.000100]
MIN EXT THK PER ASTM B545
- 6 "O" STAMP MARK OPTIONAL

5000	ON TAPE, REEL	2-30928-1
1000	LOOSE PIECE	30928
QTY	PACKAGE TYPE	PART NO

AMP INCORPORATED CUSTOMER SERVICE SYSTEMS	
FOR ADDITIONAL PRODUCT INFORMATION OR COPIES OF DRAWINGS AND TECHNICAL DOCUMENTS	PRODUCT INFORMATION CENTER 1-800-522-6752
FOR APPLICATION TOOLING INFORMATION	TOOLING ASSISTANCE CENTER 1-800-722-1111
FOR ORDER ENTRY	1-800-526-5142

MAX RECOMMENDED OPERATING TEMPERATURE: 170°C [338°F]
VOLTAGE RATING: -
CIRCULAR MIL AREA: 1.04mm ² -2.62mm ² [2050-5180]

THIS DRAWING IS A CONTROLLED DOCUMENT.	
DIMENSIONS: mm [INCHES]	TOLERANCES UNLESS OTHERWISE SPECIFIED:
	0 PLC ± - 1 PLC ± - 2 PLC ± - 3 PLC ± 0.127[.005] 4 PLC ± - ± - ANGLES ± -
MATERIAL 4	FINISH 5

DWN L OLMEDA 23JAN95	TE Connectivity	NAME		RESTRICTED TO	
CHK M ELLIS 23JAN95		TERMINAL, RING TONGUE, DIAMOND GRIP, WIRE SIZE: 16-14 AWG			
APVD S BORTNER 23JAN95		SIZE	CAGE CODE		DRAWING NO
PRODUCT SPEC UL486A-B		A3	00779		C-30928
APPLICATION SPEC	WEIGHT	SCALE 6:1		SHEET 1 OF 1	
CUSTOMER DRAWING		REV D			