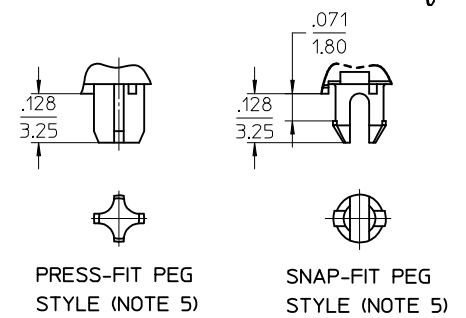


ISOMETRIC VIEW
(NOT TO SCALE)

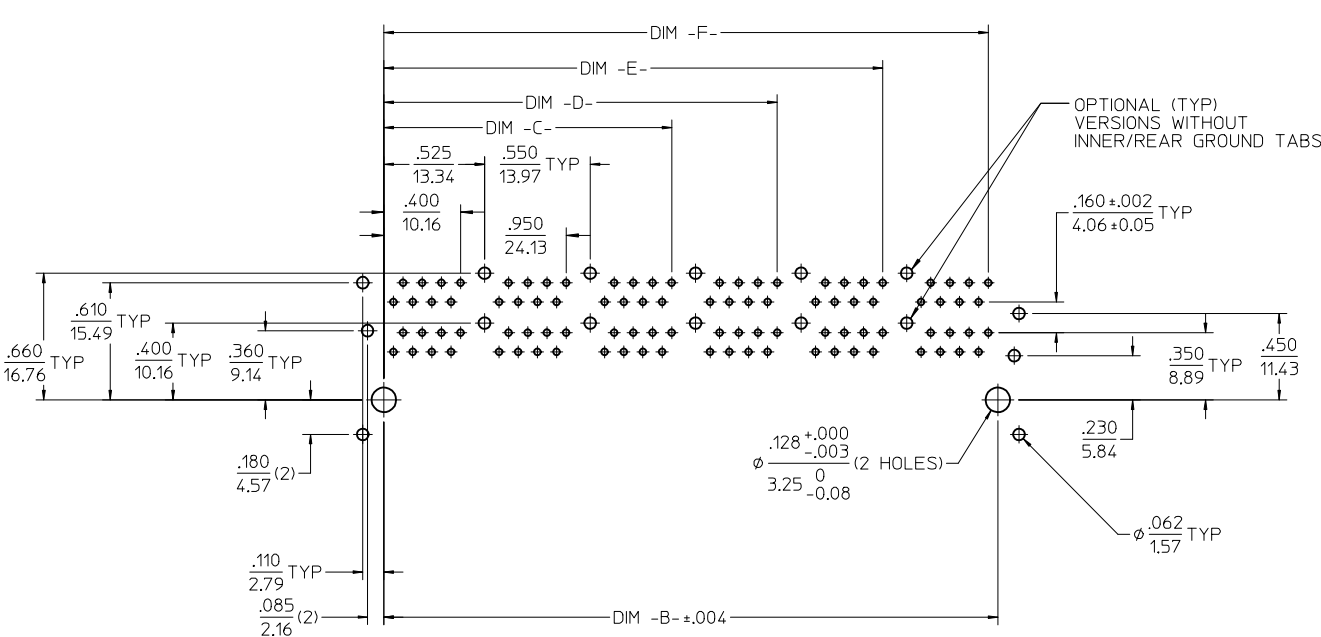


- NOTES:
- MATERIAL:
HOUSING: POLYESTERIPBT, GLASS FILLED, UL94V-0, COLOR: BLACK
TERMINALS: PHOSPHOR BRONZE
SHIELD: BRASS
 - FINISH:
TERMINALS:
SELECT GOLD IN CONTACT AREA: 50 MICROINCHES MIN.,
SELECT TIN IN PC TAIL AREA: 100 MICROINCHES MIN.,
WITH OVERALL NICKEL UNDERPLATE: 50 MICROINCHES MIN.
SHIELD:
100 MICROINCHES NICKEL OVER 50 MICROINCHES COPPER UNDERPLATE
PCB GROUND TABS DIPPED IN TIN
 - PRODUCT SPECIFICATION: PS-44050-003.
 - PACKAGING SPECIFICATION: CONNECTOR PACKAGED IN THERMOFORMED TRAYS PER PK-44520-003.
 - CONNECTORS AVAILABLE WITH EITHER SNAP-FIT OR PRESS-FIT PEGS.
 - CONFORMS TO FCC REGULATION PART 68.5 FOR MODULAR JACKS.
 - PCB LAYOUT AND PANEL CUT-OUT SHOWN ON SHEET (2) OF (2).
 - AVAILABLE WITH THE (8) PANEL GROUND TABS REMOVED ON EACH SIDE FOR SIDE TO SIDE STACKABILITY.
 - TERMINAL LENGTHS MAY BE DIFFERENT FROM TERMINAL TO TERMINAL.
 - THIS PART CONFORMS TO CLASS B REQUIREMENTS OF COSMETIC SPECIFICATION PS-45499-002 WITH THE EXCEPTION OF THE INDICATED SURFACE WHICH IS A CLASS C SURFACE.

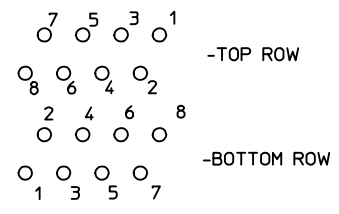
ASSEMBLY MATERIAL NUMBER	NUMBER OF PORTS	PEG STYLE	DIM -A-	DIM -B-	SIDE PANEL GROUND TABS	INNER/REAR GROUND TABS
44520-0001	8 (2 X 4)	SNAP-FIT	2.330/59.18	2.100/53.34	YES	YES
X 44520-2001	8 (2 X 4)	SNAP-FIT	2.330/59.18	2.100/53.34	NO	YES
X 44520-3001	8 (2 X 4)	SNAP-FIT	2.330/59.18	2.100/53.34	YES	NO
X 44520-4001	8 (2 X 4)	SNAP-FIT	2.330/59.18	2.100/53.34	NO	NO
44520-0004	8 (2 X 4)	PRESS-FIT	2.330/59.18	2.100/53.34	YES	YES
X 44520-2004	8 (2 X 4)	PRESS-FIT	2.330/59.18	2.100/53.34	NO	YES
X 44520-3004	8 (2 X 4)	PRESS-FIT	2.330/59.18	2.100/53.34	YES	NO
X 44520-4004	8 (2 X 4)	PRESS-FIT	2.330/59.18	2.100/53.34	NO	NO
44520-0002	12 (2 X 6)	SNAP-FIT	3.430/87.12	3.200/81.28	YES	YES
X 44520-2002	12 (2 X 6)	SNAP-FIT	3.430/87.12	3.200/81.28	NO	YES
X 44520-3002	12 (2 X 6)	SNAP-FIT	3.430/87.12	3.200/81.28	YES	NO
X 44520-4002	12 (2 X 6)	SNAP-FIT	3.430/87.12	3.200/81.28	NO	NO
44520-0005	12 (2 X 6)	PRESS-FIT	3.430/87.12	3.200/81.28	YES	YES
X 44520-2005	12 (2 X 6)	PRESS-FIT	3.430/87.12	3.200/81.28	NO	YES
X 44520-3005	12 (2 X 6)	PRESS-FIT	3.430/87.12	3.200/81.28	YES	NO
X 44520-4005	12 (2 X 6)	PRESS-FIT	3.430/87.12	3.200/81.28	NO	NO

X = NOT TOOLED

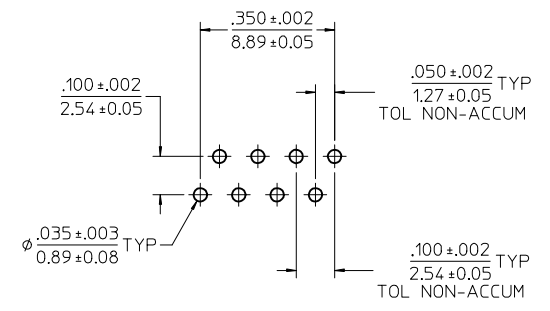
OBsolete PN EC NO: UCP2017-0798 DRW:AFENG02 2016/10/12 CHKD: APPR:KLANG 2016/10/17 REV:	QUALITY SYMBOLS	GENERAL TOLERANCES (UNLESS SPECIFIED)	DIMENSION STYLE IN/MM	SCALE 2:1	DESIGN UNITS INCH	THIRD ANGLE PROJECTION
	▽=0	4 PLACES ± --- ± ---	DRAWN BY MARGULIS	DATE 99/04/16	STACKED MODULAR JACK CATEGORY 5	
	▽=0	3 PLACES ± --- ± .010	CHECKED BY ROBERTS	DATE 99/04/18		
	▽=0	2 PLACES ± 0.25 ± ---	APPROVED BY ROBERTS	DATE 99/04/18	molex	
	1 PLACE ± --- ± ---	MATERIAL NO. SEE CHART	DOCUMENT NO. SD-44520-001	SHEET NO. 1 OF 2		
	0 PLACE ± ±	ANGULAR ±1/2°	THIS DRAWING CONTAINS INFORMATION THAT IS PROPRIETARY TO MOLEX INCORPORATED AND SHOULD NOT BE USED WITHOUT WRITTEN PERMISSION			



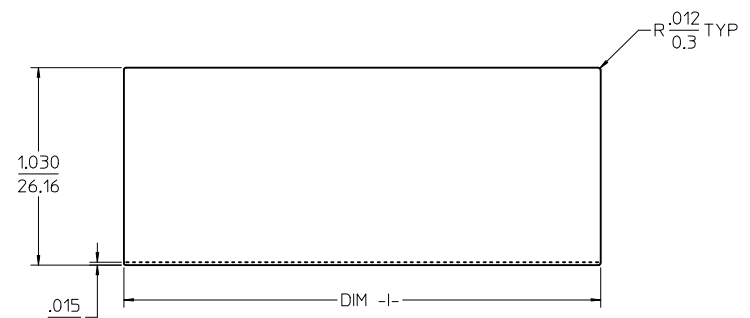
PC BOARD LAYOUT: COMPONENT SIDE
RECOMMENDED PCB THICKNESS: .062/1.57
(12 PORT VERSION SHOWN)
 ALL DIMENSION TOLERANCES ARE $\pm .003/\pm .08$
 UNLESS SPECIFIED OTHERWISE



MOLEX TRADITIONAL PIN LAYOUT (TYP)



TYP HOLE LAYOUT (EACH PORT)



FROM TOP OF PCB
 TO BOTTOM OF OPENING

RECOMMENDED PANEL CUTOUT

NUMBER OF PORTS	DIM -B-	DIM -C-	DIM -D-	DIM -E-	DIM -F-	DIM -I-
8 (2 X 4)	2,100/53.34	1,500/38.10	2,050/52.07			2,360/59.94
12 (2 X 6)	3,200/81.28	1,500/38.10	2,050/52.07	2,600/66.04	3,150/80.01	3,460/87.88

SEE SHEET 1	QUALITY SYMBOLS
EC NO: UCP2017-0798	▽=0
DRW: WAFENG02	▽=0
CHKD: APPR: KLANG	▽=0
REV: D2	

GENERAL TOLERANCES (UNLESS SPECIFIED)	
mm	INCH
4 PLACES ± .25	± .010
3 PLACES ± .25	± .010
2 PLACES ± .25	± .010
1 PLACE ± .25	± .010
0 PLACE ± .25	± .010
ANGULAR $\pm 1/2^\circ$	
DRAFT WHERE APPLICABLE MUST REMAIN WITHIN DIMENSIONS	

DIMENSION STYLE	
IN/MM	SCALE 2:1
DRAWN BY MARGULIS	DATE 99/04/16
CHECKED BY ROBERTS	DATE 99/04/18
APPROVED BY ROBERTS	DATE 99/04/18
SEE CHART	

DESIGN UNITS INCH	THIRD ANGLE PROJECTION
STACKED MODULAR JACK CATEGORY 5	
molex	
MATERIAL NO. SD-44520-001	DOCUMENT NO. SD-44520-001
SHEET NO. 2 OF 2	
THIS DRAWING CONTAINS INFORMATION THAT IS PROPRIETARY TO MOLEX INCORPORATED AND SHOULD NOT BE USED WITHOUT WRITTEN PERMISSION	