



**ANATECH ELECTRONICS INC**  
RF & Microwave Filters & Products

# 2310 MHz Ceramic Band Pass Filter

**Part Number: AM2310B1406**



## Electrical Specifications

**Center Frequency:** 2310 MHz  
**Bandwidth:** 10 MHz  
**Pass Band:** 2305-2315 MHz  
**Insertion Loss in BW:** 2.2 dB Max  
**Ripple in BW:** 0.5 dB Max  
**Return Loss in BW:** 14 dB Min  
**Attenuation:** >40 dB @ 2225 MHz  
                   >40 dB @ 2395 MHz  
**In/Out Impedance:** 50 Ω  
**Input Power:** 1 W Avg

## Mechanical

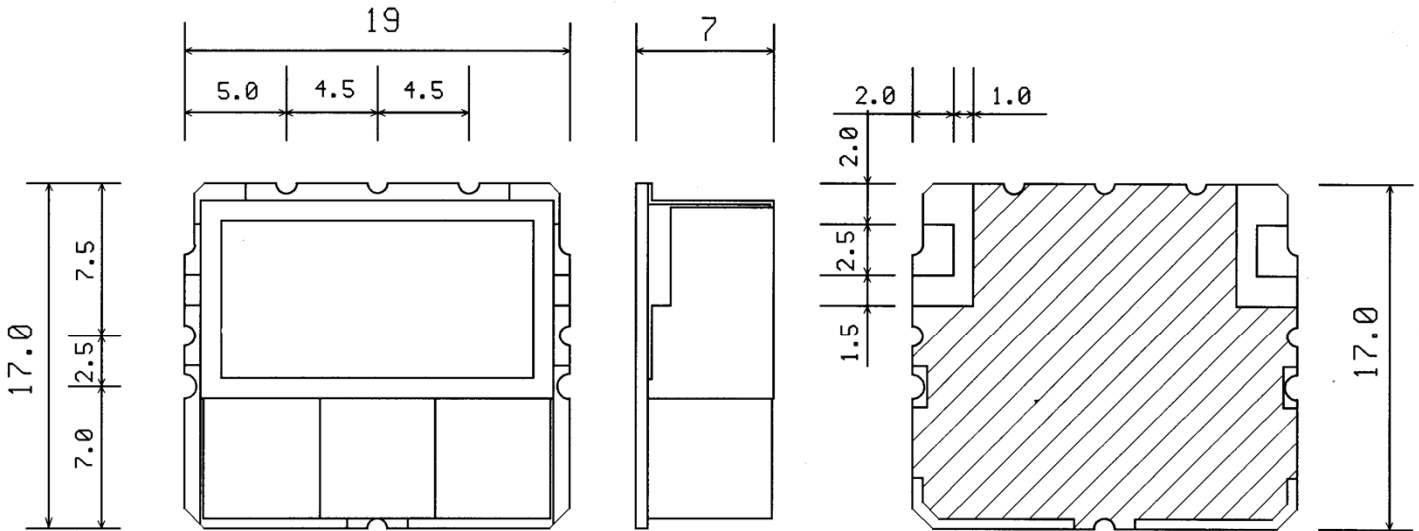
**Mounting Method:** SMT  
**Dimensions:** 19 x 17 x 7 mm

## Environmental

**Operating Temperature:** -40 to +85° C  
**Storage Temperature:** -50 to +95° C  
**Shock:** 20 G. 11 ms  
**Vibration:** 20 G. 5 to 200 MHz

**This product is RoHS compliant.**

## Outline Drawing:



Unit:mm  
 Tolerance : +/- 0.3