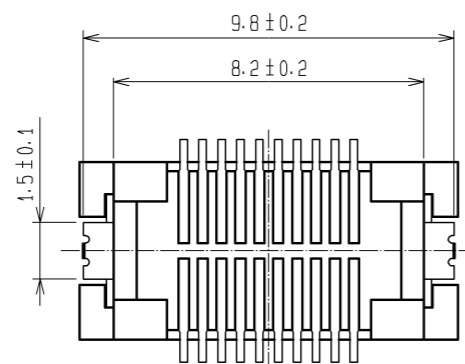
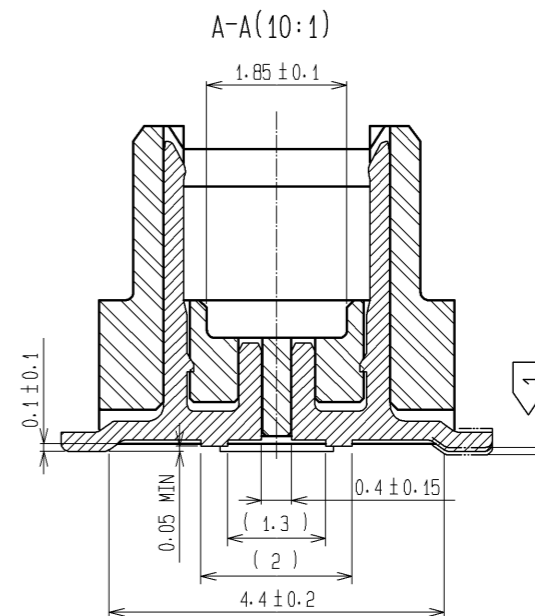
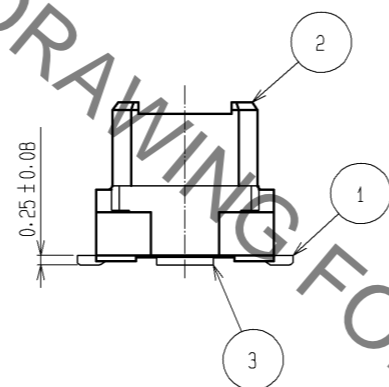
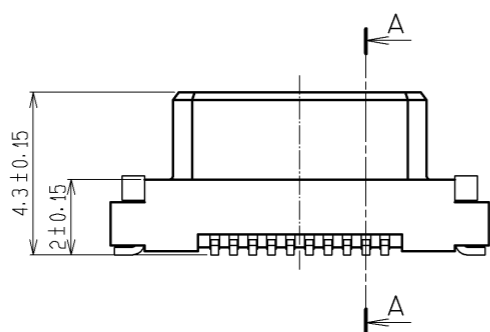
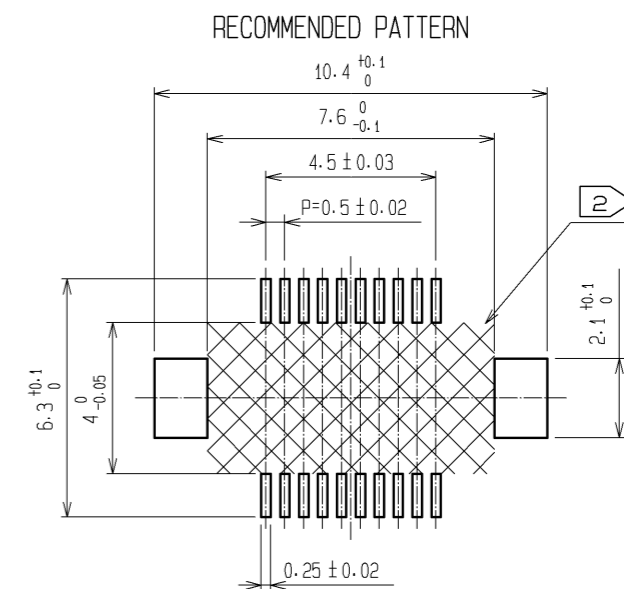
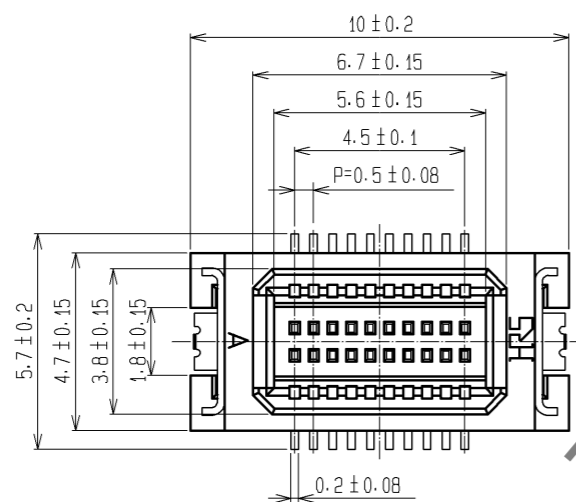


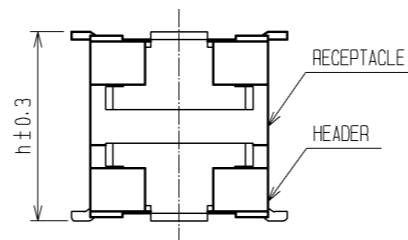
May.1.2023 Copyright 2023 HIROSE ELECTRIC CO., LTD. All Rights Reserved.  
In case of consideration for using Automotive equipment / device which demand high reliability, kindly contact our sales window correspondents.



HRS DRAWING FOR REFERENCE

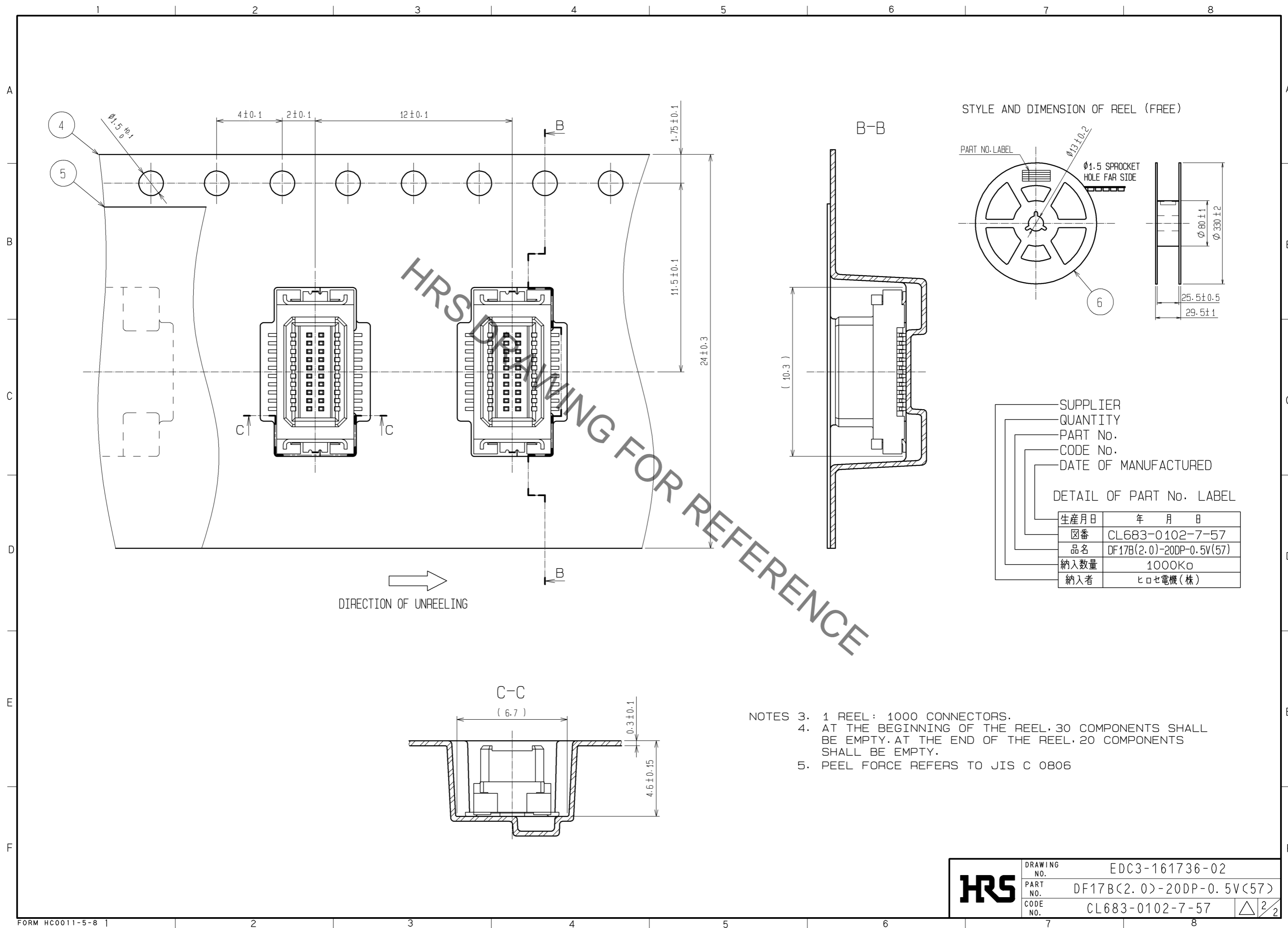
NOTES 1 LEAD CO-PLANARITY INCLUDE REINFORCED METAL FITTINGS SHALL BE 0.1mm MAX .  
2 WHEN A PART MARKED WITH HAS A PATTERN BUT NO RESIST ON IT. TAKE CARE TO PREVENT THE CONNECTOR FROM TOUCHING IT.

| MATED HIGHT (h)          |                | (mm)                     |                          |
|--------------------------|----------------|--------------------------|--------------------------|
| HEADER NO.               | RECEPTACLE NO. | DF17*(3.0)-20DS-0.5V(57) | DF17*(4.0)-20DS-0.5V(57) |
| DF17B(2.0)-20DP-0.5V(57) | 5              |                          | 6                        |



| 2                                    | POLYAMIDE (PA6T) | WHITE BEIGE , UL94V-0   | 6                                 | PS              | PLASTIC REEL , BLACK  |
|--------------------------------------|------------------|---|-----------------------------------|-----------------|---|
| 1                                    | PHOSPHER BRONZE  | CONTACT AREA:GOLD PLATED 0.1μm min<br>LEAD AREA:TIN PLATED 1μm min<br>UNDER PLATING:NICKEL PLATED 1μm min | 5                                 | POLYESTER       | CLEAR (COVER TAPE)  |
|                                      |                  |   | 4                                 | A-PET           | CLEAR(EMBOSSD CARRIER TAPE)                                 |
|                                      |                  |   | 3                                 | PHOSPHER BRONZE | TIN PLATED : 1μm min<br>UNDER PLATING:NICKEL PLATED 1μm min |
| NO.                                  | MATERIAL         | FINISH , REMARKS  | NO.                               | MATERIAL        | FINISH , REMARKS  |
| UNITS<br>mm                          |                  |   | SCALE<br>5 : 1                    |                 | COUNT<br>   |
| <b>HRS</b> HIROSE ELECTRIC CO., LTD. |                  | APPROVED : KH. IKEDA 08.09.16   | DRAWING NO. EDC3-161736-02        |                 |   |
|                                      |                  | CHECED : TS. MIYAZAKI 08.09.16  | PART NO. DF17B(2.0)-20DP-0.5V(57) |                 |   |
|                                      |                  | DESIGNED : TY. YAMASAKI 08.08.19  | CODE NO. CL683-0102-7-57          |                 |   |
|                                      |                  | DRAWN : TY. YAMASAKI 08.08.19   | DATE  1/2                         |                 |   |

May.1.2023 Copyright 2023 HIROSE ELECTRIC CO., LTD. All Rights Reserved.  
 In case of consideration for using Automotive equipment / device which demand high reliability, kindly contact our sales window correspondents.



- NOTES
3. 1 REEL : 1000 CONNECTORS.
  4. AT THE BEGINNING OF THE REEL, 30 COMPONENTS SHALL BE EMPTY. AT THE END OF THE REEL, 20 COMPONENTS SHALL BE EMPTY.
  5. PEEL FORCE REFERS TO JIS C 0806

|     |             |                          |       |
|-----|-------------|--------------------------|-------|
| HRS | DRAWING NO. | EDC3-161736-02           |       |
|     | PART NO.    | DF17B(2.0)-20DP-0.5V(57) |       |
|     | CODE NO.    | CL683-0102-7-57          | △ 2/2 |
|     |             |                          |       |