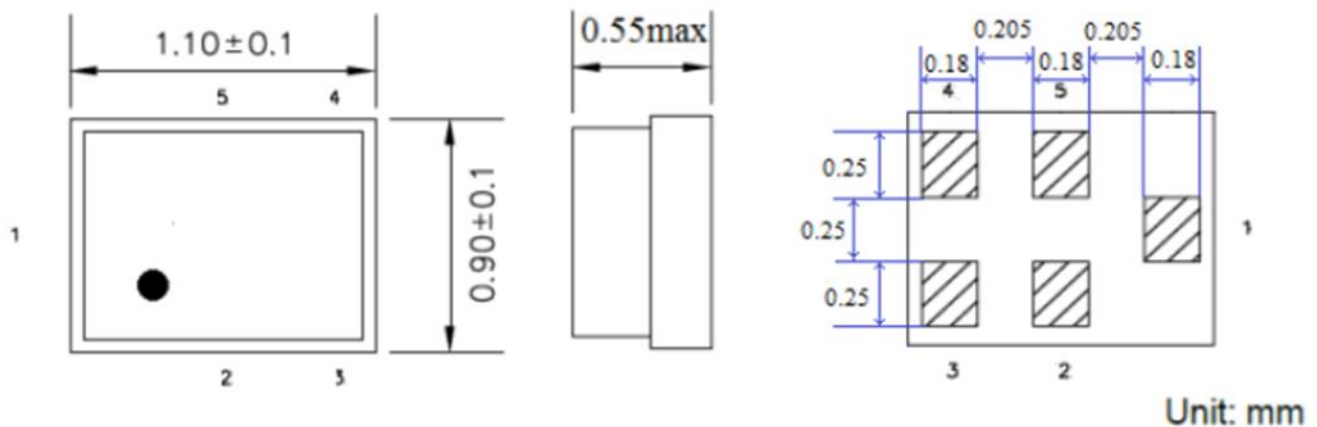


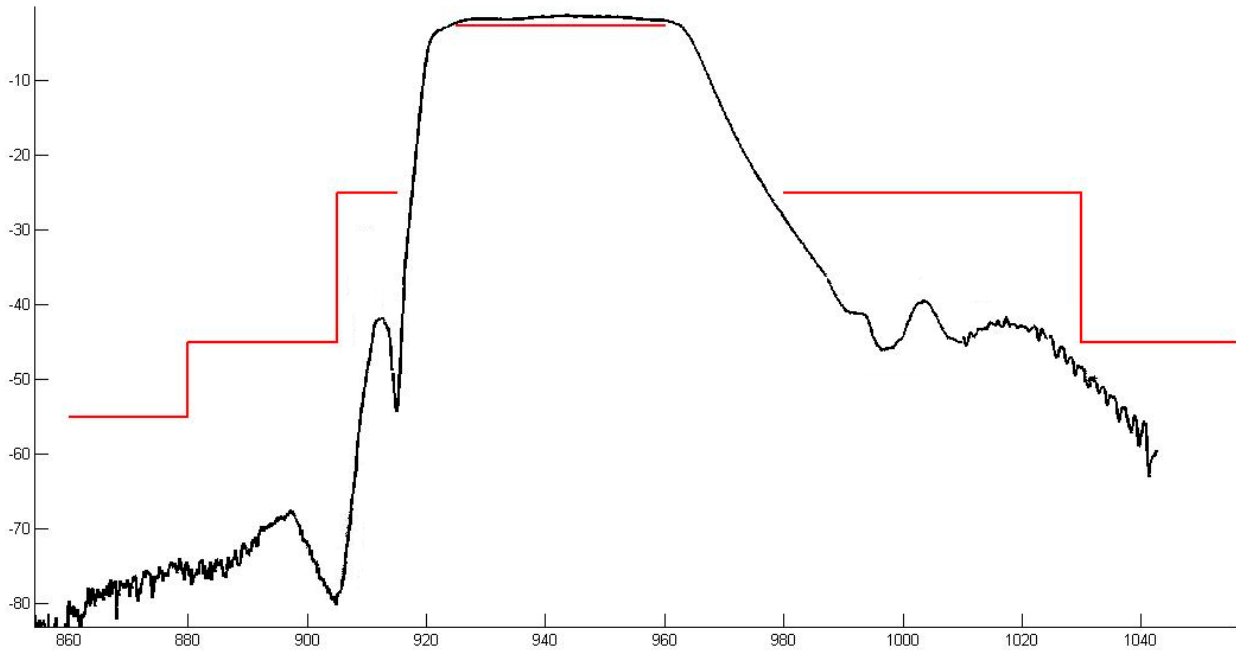
Electrical Specification

Parameters		Value	Unit
Center Frequency (Fo)		942.500	MHz
Insertion Loss, typ/max	925 ~ 960 MHz	2.1 / 2.7	dB
Pass Band Ripple, typ/max	925 ~ 960 MHz	0.7 / 1.4	dB
VSWR, typ/max	Ant	925 ~ 960 MHz	1.7 / 2.0
	Rx		1.7 / 2.0
Amplitude Balance, typ/max	925 ~ 960 MHz	±0.2 / ±0.8	dB
Phase Balance, typ/max	925 ~ 960 MHz	180 ±1.4 / 180 ±8	°
Attenuation, min/typ	0.1 MHz ~ 860 MHz	-55 / -70	dB
	860 MHz ~ 880 MHz	-55 / -70	dB
	880 MHz ~ 905 MHz	-45 / -60	dB
	905 MHz ~ 915 MHz	-25 / -30	dB
	980 MHz ~ 1030 MHz	-25 / -28	dB
	1030 MHz ~ 1040 MHz	-45 / -50	dB
	1040 MHz ~ 2500 MHz	-45 / -60	dB
	2500 MHz ~ 6000 MHz	-35 / -46	dB
Input Power, max, 2000h		15	dBm
DC Voltage		5	V
ESD Voltage	ESD (MM)	50	VDC
Sensitive Discharge Device	ESD (HBM)	175	VDC
Terminating Source Impedance (Unbalanced)		50	Ω
Terminating Load Impedance (Balanced)		150 or 100	Ω
Operating Temperature Range		-30 to +85	°C
Storage Temperature Range		-40 to +85	°C

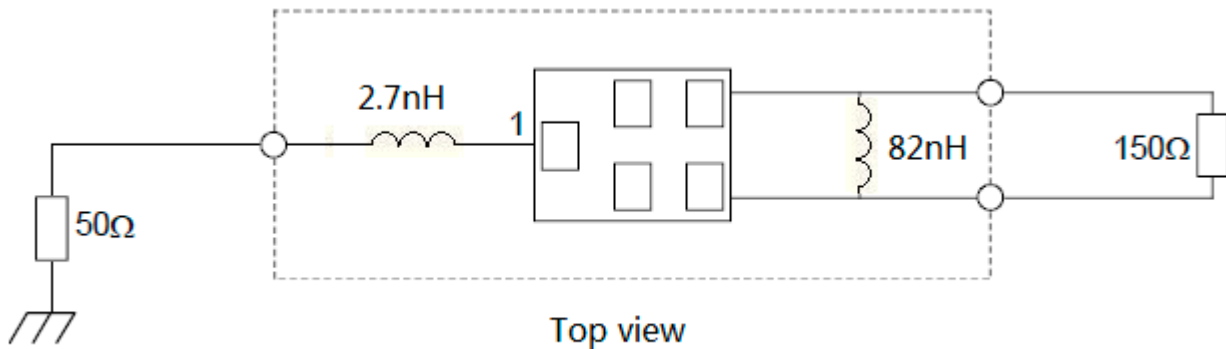
Dimension



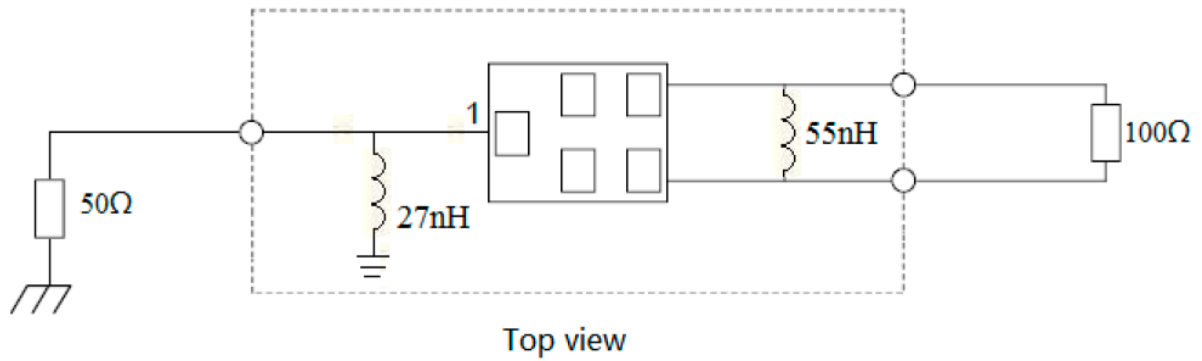
Frequency Characteristics



Test Circuit



OR

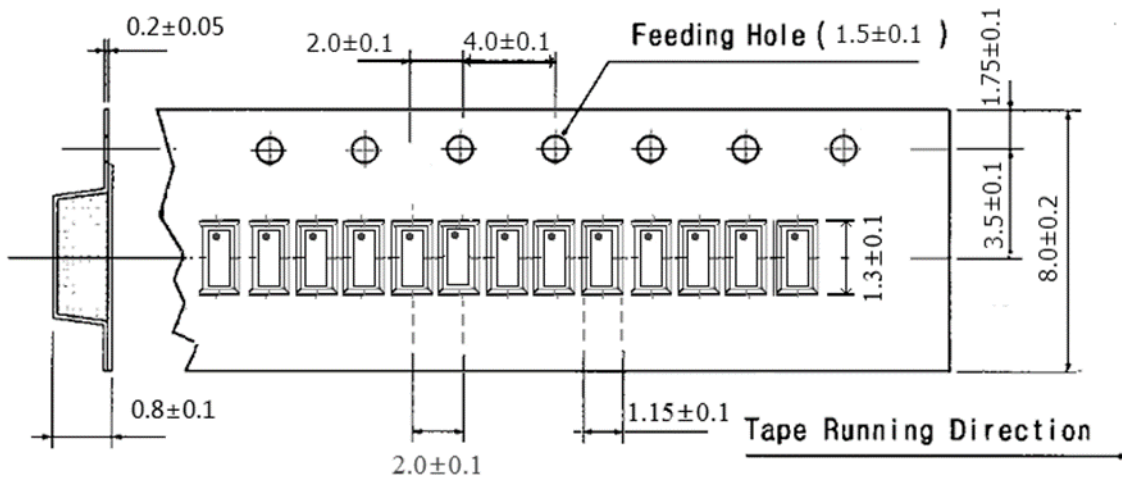


Environmental

PARAMETER	VALUE
MOISTURE SENSITIVITY LEVEL	2
REACH – SVHC	Compliant
RoHS	Compliant
PACKAGING	Tape & Reel



Tape Dimension



APPROVAL

DRAWN BY	ZZ, August 12, 2021
APPROVED BY	AR, August 12, 2021
REVISION	A, Initial Release

Raltron Electronics / RAMI Technology USA, LLC, including its affiliates, employees, agents and other persons acting on its behalf (collectively Raltron/RAMI Tech), disclaim any and all liability for any errors or inaccuracies contained in this data sheet. While Raltron/RAMI Tech has made every reasonable effort to ensure the accuracy of all product information, specifications and data contained herein, Raltron/RAMI Tech does not guarantee that the information is accurate, reliable or current. The product information is provided only for reference purposes only and is subject to change, correction or revision, at any time without notice. Raltron/RAMI Tech does not assume any liability arising out of an application or use of any product described herein and disclaims any warranties expressed or implied. The user of products in such applications shall assume all risks of such use and will agree to hold Raltron/RAMI Tech, harmless against all damages.

Copyright © 2016, Raltron Electronics / RAMI Technology USA, LLC. All rights reserved. No part of this document may be reproduced in any form without the prior written permission of Raltron Electronics / RAMI Technology USA, LLC.