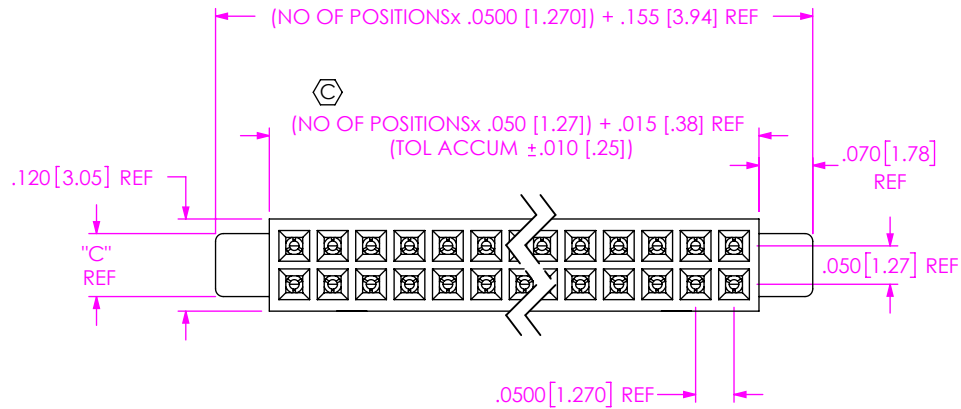


DO NOT SCALE FROM THIS PRINT

EMF-1XX-XX-XX-D



No OF POSITIONS
-05 THRU -50
(PER ROW)

BODY SPECIFICATION
-D: DOUBLE
(USE SFM-XX-D-EM-XX)

LEAD STYLE
-01 EDGE MOUNT (.031")
*-02: EDGE MOUNT (.062)

PLATING SPECIFICATION
-F: 3μ" SELECTIVE GOLD IN CONTACT AREA, MATTE TIN ON TAIL.
-L: 10μ" SELECTIVE GOLD IN CONTACT AREA, MATTE TIN ON TAIL.
-S: 30μ" SELECTIVE GOLD IN CONTACT AREA, MATTE TIN ON TAIL.
-T: MATTE TIN ON CONTACT AND TAIL.
-FM: 3μ" SELECTIVE GOLD IN CONTACT AREA, MATTE TIN ON TAIL.
-LM: 10μ" SELECTIVE GOLD IN CONTACT AREA, MATTE TIN ON TAIL.
-SM: 30μ" SELECTIVE GOLD IN CONTACT AREA, MATTE TIN ON TAIL.

* =NOT RELEASED FOR PRODUCTION

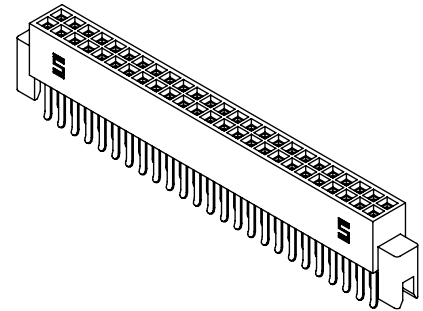
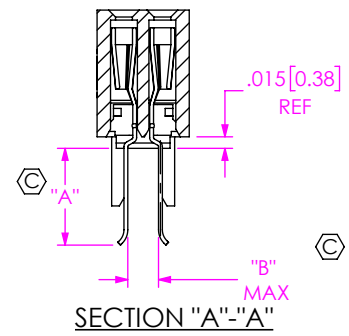
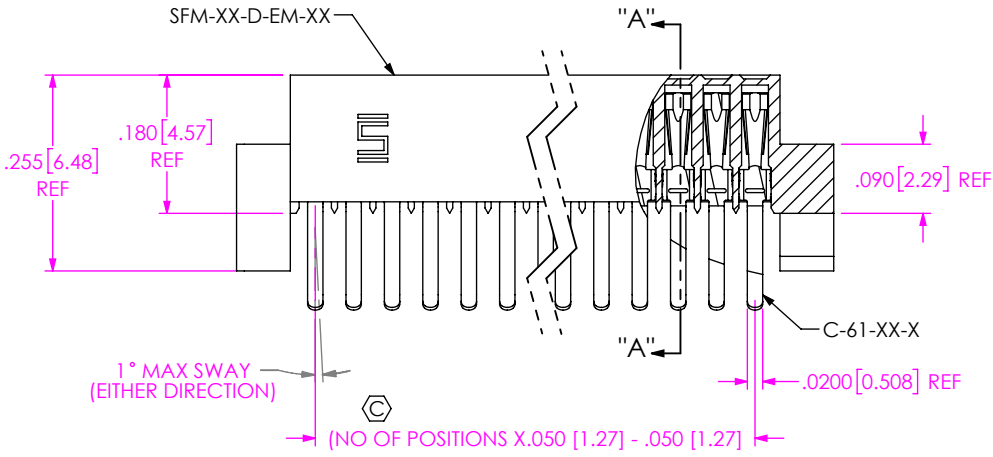


TABLE 4

LEAD STYLE	BODY	CONTACT	"A"	"B"	"C"
-01	SFM-XX-D-EM-01	C-61-06-X	.126 [3.20]	.031 [0.79]	.082 [2.08]
*-02	SFM-XX-D-EM-02	C-61-08-X	.105 [2.67]	.062 [1.57]	.100 [2.54]

* = NOT RELEASED FOR PRODUCTION

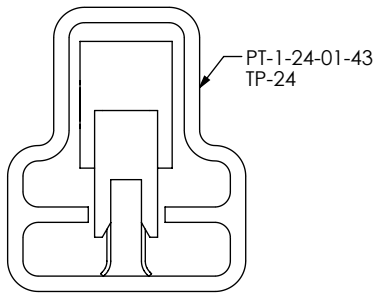
UNLESS OTHERWISE SPECIFIED, DIMENSIONS ARE IN INCHES.
TOLERANCES ARE:
DECIMALS ANGLES
.XX: ±.01 [0.3] 2°
.XXX: ±.005 [0.13]
.XXXX: ±.0020 [0.051]

PROPRIETARY NOTE
THIS DOCUMENT CONTAINS CONFIDENTIAL AND PROPRIETARY INFORMATION AND ALL DESIGN, MANUFACTURING, REPRODUCTION, USE, PATENT RIGHTS AND SALES RIGHTS ARE EXPRESSLY RESERVED BY SAMTEC, INC. THIS DOCUMENT SHALL NOT BE DISCLOSED, IN WHOLE OR PART, TO ANY UNAUTHORIZED PERSON OR ENTITY NOR REPRODUCED, TRANSFERRED OR INCORPORATED IN ANY OTHER PROJECT IN ANY MANNER WITHOUT THE EXPRESS WRITTEN CONSENT OF SAMTEC, INC.



520 PARK EAST BLVD, NEW ALBANY, IN 47150
PHONE: 812-944-6733 FAX: 812-948-5047
e-Mail info@SAMTEC.com code 53322

- NOTES:
1. Ⓢ REPRESENTS A CRITICAL DIMENSION.
 2. MINIMUM PUSHOUT FORCE: .5 LB
 3. ALL POSITIONS TO BE PACKAGED IN TUBES.



PACKAGING VIEW