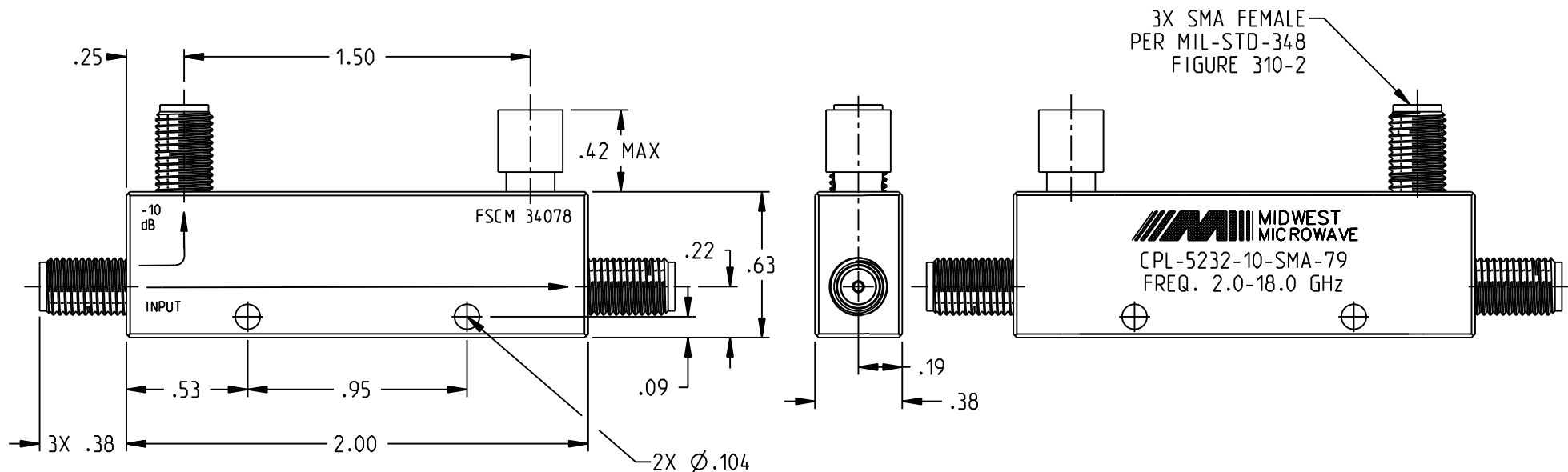


REV	ECO	DATE
K	22798	11/09/10
L	24809	06/14/13
M	57992	07/13/21



NOTES: UNLESS OTHERWISE SPECIFIED

1. MATERIALS & FINISH:

- 1.1 HOUSING (CIRCUIT): GREY PAINT OVER CHEMICAL CONVERSION COATED ALUMINUM
- 1.2 HOUSING (CONNECTORS): PASSIVATED STAINLESS STEEL
- 1.3 HOUSING (TERMINATION): GREY PAINT OVER PASSIVATED STAINLESS STEEL
- 1.4 DIELECTRICS: PTFE (TEFLON)
- 1.5 CENTER CONDUCTORS: GOLD PLATED BERYLLIUM COPPER
- 1.6 DUST CAPS (NOT SHOWN): POLYETHYLENE

2. SPECIFICATIONS

- 2.1 FREQUENCY RANGE: 2.0 TO 18.0 GHz
- 2.2 COUPLING (INCLUDING FREQUENCY SENSITIVITY): 10 ±1.0 dB (MEASURED WITH RESPECT TO OUTPUT)
- 2.2 FREQUENCY SENSITIVITY: ±0.60 dB
- 2.4 VSWR (MAX): 1.50:1
- 2.5 INSERTION LOSS (MAX - EXCLUDING COUPLING LOSS): 0.8 dB
- 2.6 DIRECTIVITY (MIN):
 - 2 TO 12 GHz: 15 dB
 - 12 TO 18 GHz: 12 dB
- 2.7 INPUT POWER:
 - AVERAGE: 20 WATTS
 - PEAK: 3 KILOWATTS
- 2.8 RF IMPEDANCE: 50 OHMS NOMINAL
- 2.9 WEIGHT (TYPICAL): 1.30 OUNCES

<p>NOTICE: The information in this drawing is PROPRIETARY and must not be used without the permission of Cinch Connectivity Solutions. It may contain data whose export is restricted. Verify status prior to exporting.</p> <p>INTERPRET DRAWING IN ACCORDANCE WITH ASME Y14.5-2018</p>	Model No:	CPL-5231-10-SMA-79-01	MIDWEST MICROWAVE	
	Cage Code	34078	Title: DIRECTIONAL COUPLER	
	UNLESS OTHERWISE SPECIFIED UNITS: INCH	3RD ANGLE PROJECTION	Drawing No.	REV.
	.XX ±.02 .XXX ±.005 ANGLES ±2°	ENGINEER: J. KEREKES Date: 07/19/21	CPL-5232-10-SMA-79-01	M
	Size	A	DO NOT SCALE DRAWING	Workmanship Std: NONE
				Sheet 1 OF 1