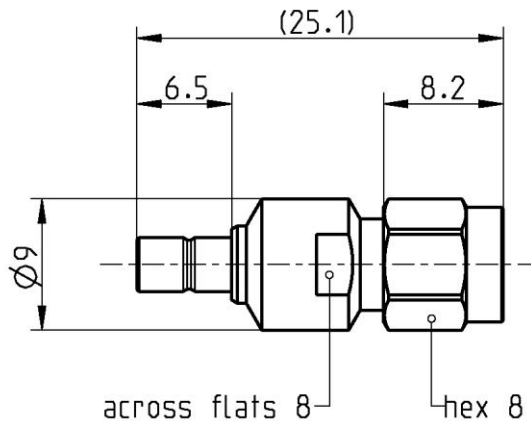


SMB  
SMA

Adaptor  
SMB Plug – SMA Plug

**59S132-S00L5**



All dimensions are in mm; tolerances according to ISO 2768 m-H

**Interface**

According to SMB side: IEC 60169-10, CECC 22130, MIL-PRF-39012  
SMA side: IEC 60169-15; EN 122110; MIL-STD-348A, Fig. 310

**Documents**

N/A

**Material and plating**

**Connector parts**

Center contact  
Outer contact SMB side  
Outer contact SMA side  
Body  
Dielectric  
Gasket  
Coupling nut SMA side

**Material**

CuBe  
Brass  
CuBe  
CuBe  
PTFE  
Silicone  
Brass

**Plating**

AuroDur®, gold plated  
AuroDur®, gold plated  
AuroDur®, gold plated  
AuroDur®, gold plated  
Gold, 0.1 µm min.

SMB  
SMA

Adaptor  
SMB Plug – SMA Plug

**59S132-S00L5**

**Electrical data**

Impedance	50 Ω
Frequency	DC to 4 GHz
Return loss	≥ 35 dB, DC to 1 GHz ≥ 27 dB, 1 to 4 GHz
Insertion loss	≤ 0.05 x √f(GHz) dB
Insulation resistance	≥ 1x10 <sup>3</sup> MΩ
Center contact resistance	≤ 5 mΩ, SMB side      ≤ 3 mΩ, SMA side
Outer contact resistance	≤ 2.5 mΩ, SMB side    ≤ 2 mΩ, SMA side
Test voltage	750 V rms, 50 Hz, at sea level
Working voltage	≤ 250 V rms, 50 Hz, at sea level
Contact current	1.5 A DC typ.
RF-leakage	≥ 55 dB up to 1 GHz

**Mechanical data**

	SMB side	SMA side
Mating cycles	min. 500	min. 500
Coupling nut retention	N/A	≥ 180 N
Coupling test torque	N/A	max. 0.6 Nm
Recommended torque	N/A	0.5 Nm
Center contact captivation: axial	≥ 10 N	≥ 10 N
Engagement force	≤ 63 N	N/A
Disengagement force	8 N min. to 63 N max.	N/A

**Environmental data**

Temperature range	-55°C to +155°C
Thermal shock	MIL-STD-202, Meth. 107, Cond. B
Vibration	MIL-STD-202, Meth. 204, Cond. B
Corrosion	MIL-STD-202, Meth. 101, Cond. B
Moisture resistance	MIL-STD-202, Meth. 106
RoHS	compliant

**Tooling**

N/A

**Suitable cables**

N/A

**Weight**

Weight 5.9 g/pce

While the information has been carefully compiled to the best of our knowledge, nothing is intended as representation or warranty on our part and no statement herein shall be construed as recommendation to infringe existing patents. In the effort to improve our products, we reserve the right to make changes judged to be necessary.

For the installation of the electrotechnical equipment, particular electrotechnical expertise is required.



Draft	Date	Approved	Date	Rev.	Engineering change number	Name	Date
Inge Mühlauer	14.12.04	Chr. Janßen	09.02.21	f00	20-1927	S. Huber-Siegl	09.02.21
Rosenberger Hochfrequenztechnik GmbH & Co. KG P.O.Box 1260 D-84526 Tittmoning Germany <a href="http://www.rosenberger.com">www.rosenberger.com</a>						Tel. : +49 8684 18-0 Email : <a href="mailto:info@rosenberger.com">info@rosenberger.com</a>	
						Page 2 / 2	